

DATA SHEET



Single Phase Induction Motor - Squirrel Cage

Customer :						
Product line		: General Single-Phase		Product code : 10579406		
Frame	: B56	Locked rotor time	: 10s (cold) 6s (hot)			
Output	: 0.33 HP (0.25 kW)	Temperature rise	: 80 K			
Poles	: 2	Duty cycle	: Cont.(S1)			
Frequency	: 60 Hz	Ambient temperature	: -20°C to +40°C			
Rated voltage	: 115/208-230 V	Altitude	: 1000 m.a.s.l.			
Rated current	: 5.70/2.70-2.85 A	Protection degree	: IP55			
L. R. Amperes	: 33.1/15.7-16.5 A	Cooling method	: IC411 - TEFC			
LRC	: 5.8x(Code N)	Mounting	: F-1			
No load current	: 4.40/1.90-2.20 A	Rotation ¹	: Both (CW and CCW)			
Rated speed	: 3490 rpm	Noise level ²	: 55.0 dB(A)			
Slip	: 3.06 %	Starting method	: Direct On Line			
Rated torque	: 0.069 kgfm	Approx. weight ³	: 9.7 kg			
Locked rotor torque	: 370 %					
Breakdown torque	: 320 %					
Insulation class	: B					
Service factor	: 1.15					
Moment of inertia (J)	: 0.0012 kgm ²					
Output	50%	75%	100%	Foundation loads		
Efficiency (%)	40.0	49.0	53.0	Max. traction : 2 kgf		
Power Factor	0.56	0.64	0.70	Max. compression : 11 kgf		
		<u>Drive end</u>		<u>Non drive end</u>		
Bearing type	:	6203 ZZ		6202 ZZ		
Sealing	:	V'Ring		V'Ring		
Lubrication interval	:	-		-		
Lubricant amount	:	-		-		
Lubricant type	:	Mobil Polyrex EM				
Notes						
<p>This revision replaces and cancel the previous one, which must be eliminated.</p> <p>(1) Looking the motor from the shaft end.</p> <p>(2) Measured at 1m and with tolerance of +3dB(A).</p> <p>(3) Approximate weight subject to changes after manufacturing process.</p> <p>(4) At 100% of full load.</p>			<p>These are average values based on tests with sinusoidal power supply, subject to the tolerances stipulated in NEMA MG-1.</p>			
Rev.	Changes Summary			Performed	Checked	Date
Performed by						
Checked by					Page	Revision
Date	26/10/2024				1 / 2	

LOAD PERFORMANCE CURVE

Single Phase Induction Motor - Squirrel Cage

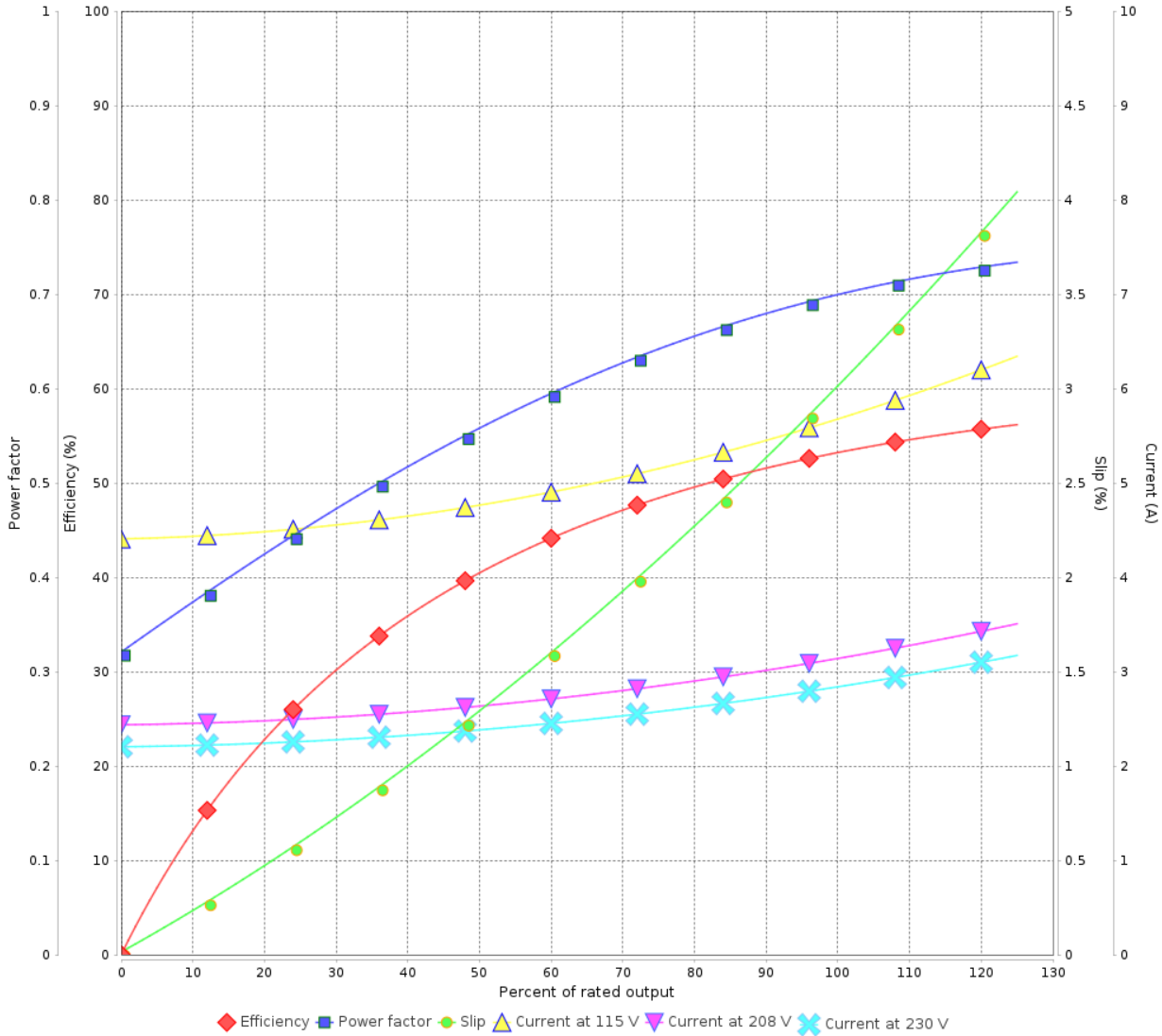


Customer :

Product line : General Single-Phase

Product code : 10579406

LOAD PERFORMANCE CURVE

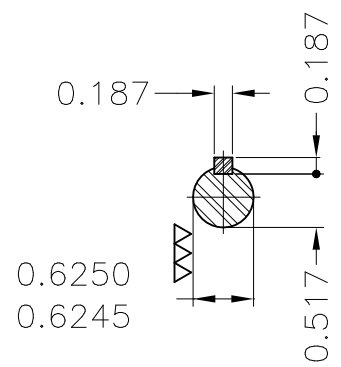
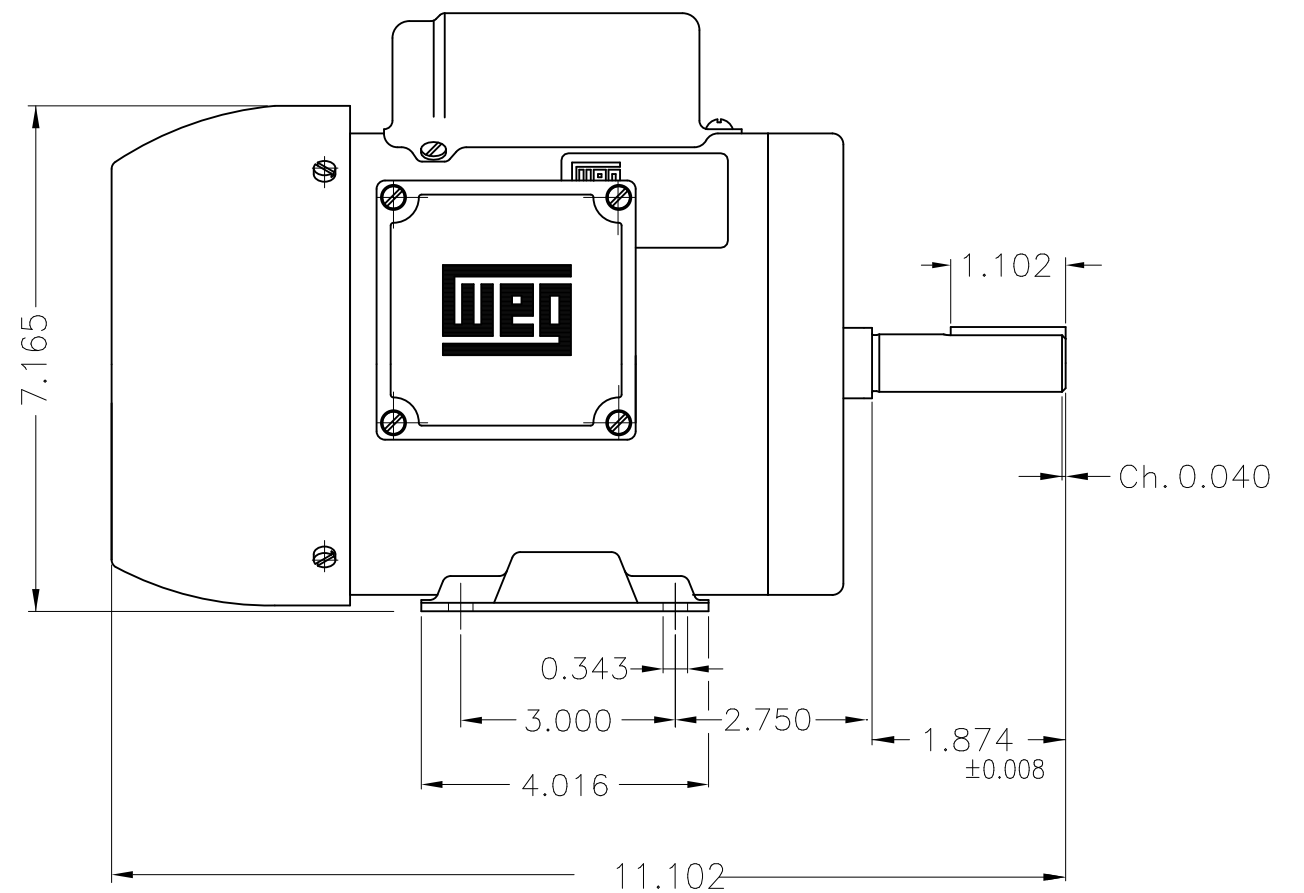
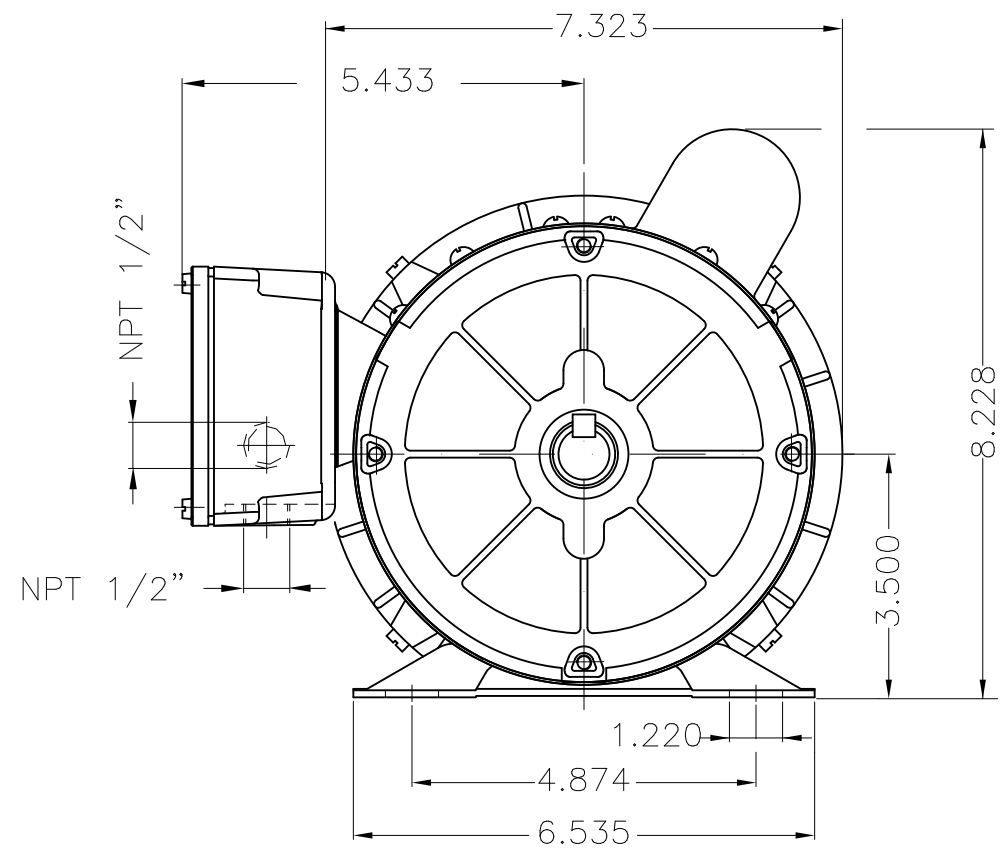


Performance : 115/208-230 V 60 Hz 2P

Rated current : 5.70/2.70-2.85 A
 LRC : 5.8
 Rated torque : 0.069 kgfm
 Locked rotor torque : 370 %
 Breakdown torque : 320 %
 Rated speed : 3490 rpm

Moment of inertia (J) : 0.0012 kgm²
 Duty cycle : Cont.(S1)
 Insulation class : B
 Service factor :
 Temperature rise : 80 K

Rev.	Changes Summary	Performed	Checked	Date
Performed by			Page 2 / 2	Revision
Checked by				
Date	26/10/2024			



A
B
C
D
E

1 2 3 4 5 6

1/3 HP 02 Poles 60 Hz

Mounting B3R(D)										
HYBRISUSER 00										
ECM	LOC	SUMMARY OF MODIFICATIONS				EXECUTED	CHECKED	RELEASED	DATE	VER
EXECUTED	HYBRISUSER	SINGLE PH. MOTOR GENERAL				PREVIEW		WDD 00		
CHECKED		FRAME B56 IP55 TEFC				WDD 00		WEG		
RELEASED						SHEET		1 / 1		
REL. DATE		WMO	Jaragua do Sul	Product Engineering						