

# DATA SHEET

## Three Phase Induction Motor - Squirrel Cage



Customer : V.J. PAMENSKY CANADA INC.

Product line : W01 - TEAO - Grain Dryer

Frame	: 182/4TZ	Cooling method	: IC418 - TEAO
Insulation class	: F	Minimum air speed over motor	: 16.8 m/s
Duty cycle	: S1	Mounting	: F-3/B3T
Ambient temperature	: -20 °C to +40 °C	Rotation <sup>1</sup>	: Counter clockwise
Altitude	: 3280 ft	Starting method	: Direct On Line
Protection degree	: IP55	Approx. weight <sup>3</sup>	: 74.5 lb
Design	: B	Moment of inertia (J)	: 0.1922 sq.ft.lb

Output	5 HP (3.7 kW)	7.5 HP (5.5 kW)	
Poles	2	2	
Frequency	60 Hz	60 Hz	
Rated voltage	208-230/460 V	208-230/460 V	
Rated current	14.3-12.9/6.45 A	19.6-17.7/8.86 A	
L. R. Amperes	160-144/72.2 A	159-144/71.8 A	
LRC	11.2	8.1	
No load current	4.83-5.60/2.80 A	4.83-5.60/2.80 A	
Rated speed	3535 rpm	3495 rpm	
Slip	1.81 %	2.92 %	
Rated torque	7.31 ft.lb	11.1 ft.lb	
Locked rotor torque	390 %	260 %	
Pull up torque	330 %	220 %	
Breakdown torque	520 %	350 %	
Service factor	1.00	1.00	
Temperature rise	105 K	105 K	
Noise level <sup>2</sup>	68.0 dB(A)	68.0 dB(A)	
Locked rotor time (hot)	14 s	7 s	
Locked rotor time (cold)	25 s	13 s	
Efficiency (%)	50%	83.6	86.7
	75%	86.7	87.9
	100%	87.8	87.5
Power Factor	50%	0.61	0.74
	75%	0.74	0.84
	100%	0.82	0.89

Losses at normative operating points (speed;torque), in percentage of rated output power

Losses (%)			
Losses (%)	P1(0,9;1,0)	12.7	13.0
	P2(0,5;1,0)	8.6	8.8
	P3(0,25;1,0)	7.3	7.6
	P4(0,9;0,5)	8.4	8.6
	P5(0,5;0,5)	4.5	4.6
	P6(0,5;0,25)	3.5	3.6
	P7(0,25;0,25)	2.0	2.0

	Drive end	Non drive end	Foundation loads
Bearing type	6206-ZZ	6205-ZZ	Max. traction :
Lubrication interval	-	-	Max. compression :
Lubricant amount	-	-	Load type :-
Lubricant type	MOBIL POLYREX EM		Load torque :-
			Load inertia (J=GD <sup>2</sup> /4) :-

Notes  
See notes on page 2.

Rev.	Changes Summary	Rev.	Checked	Date
Performed by	farazq			1850603926
Checked by	AUTOMATICO		Page	Rev.
Date	20/05/2026		1 / 2	0

# DATA SHEET

## Three Phase Induction Motor - Squirrel Cage



Customer : V.J. PAMENSKY CANADA INC.

Product line : W01 - TEAO - Grain Dryer

Thermal protection ID	Application	Type	Quantity	Sensing Temperature
1	Winding	Thermostat - 2 wires	1 x Phase	155°C

### Notes

Standards	Specification	: MG1 - Part 10	Vibration	: MG1 - Part 7
	Test	: MG1 - Part 12	Tolerance	: MG1 - Part 12
	Noise	: MG1 - Part 9		

This revision replaces and cancel the previous one, which must be eliminated.  
 (1) Looking the motor from the shaft end.  
 (2) Measured at 1m and with tolerance of +3dB(A).  
 (3) Approximate weight, subject to be changed after manufacturing process.

These are average values based on tests with sinusoidal power supply, subject to the tolerances stipulated in NEMA MG 1-12.

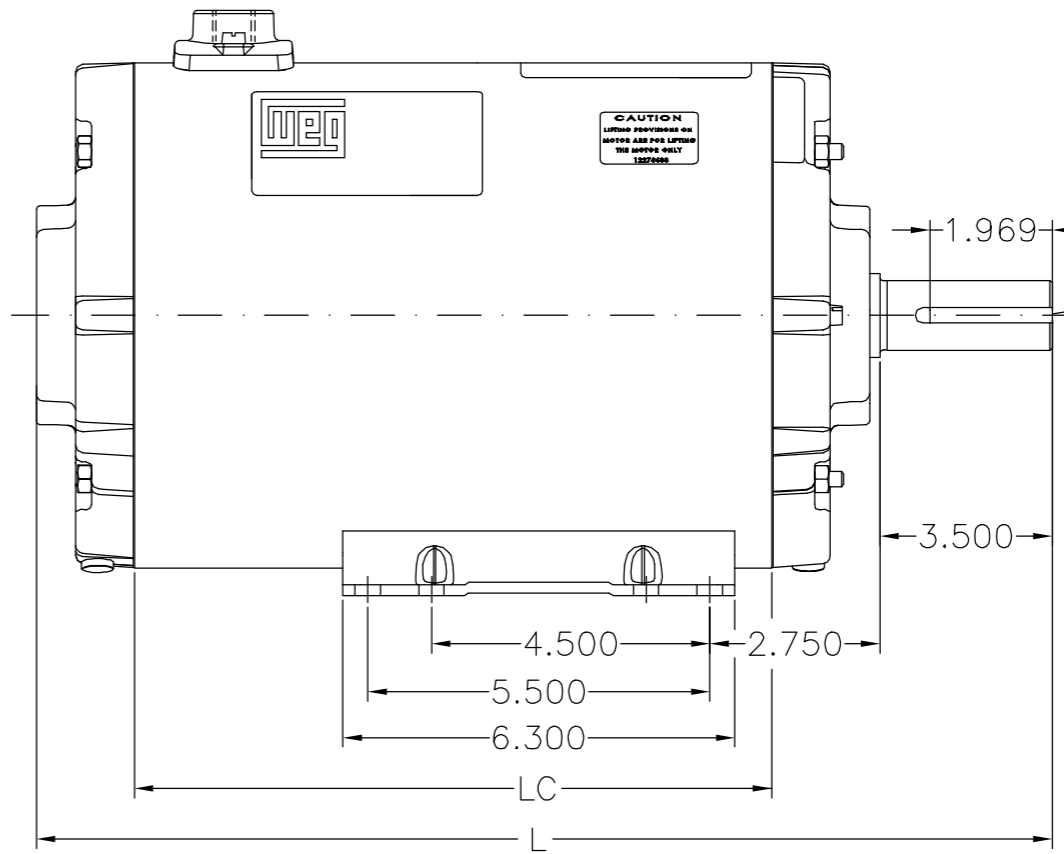
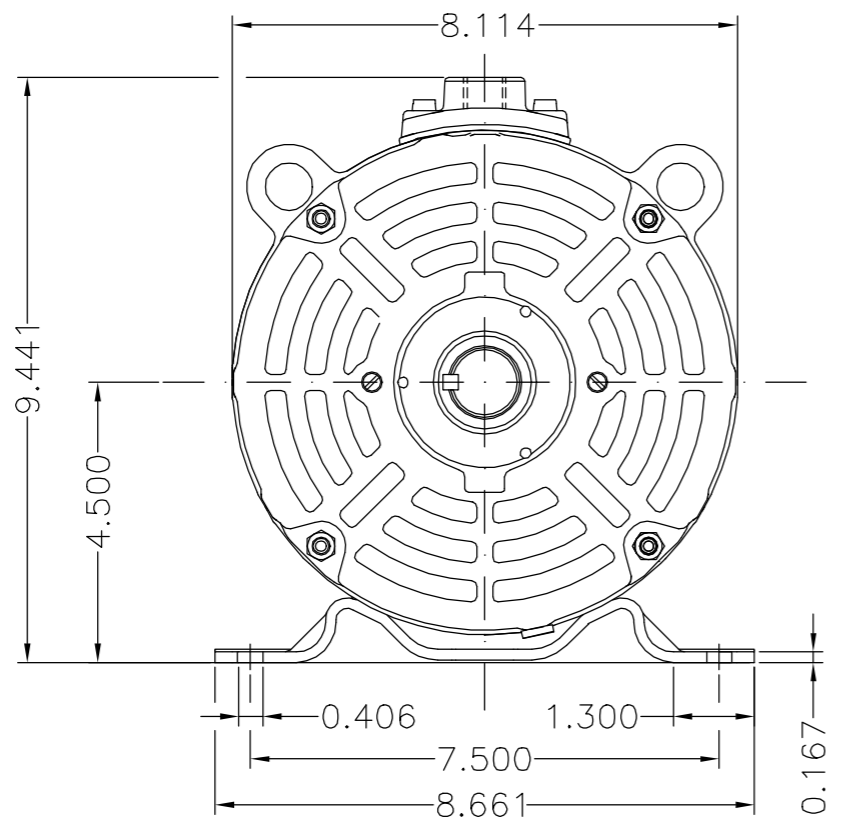
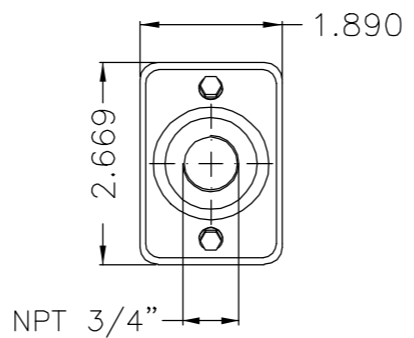
Rev.	Changes Summary		Rev.	Checked	Date
	Performed by	farazq		1850603926	
	Checked by	AUTOMATICO		Page	Rev.
	Date	20/05/2026		2 / 2	0

EIXO/SHAFT	
PADRÃO/STANDARD	X
OPCIONAL/OPTIONAL	
ESPECIAL/SPECIAL	

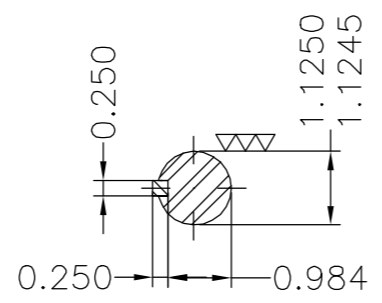
Dimensões em polegadas  
Dimensions in inches

**CERTIFIED WEG MOTORES**  
Certified document.  
Not subject to changes.

THIS IS AN UPDATED REVISION, THE PREVIOUS ONE MUST BE DISREGARDED.



Center Hole  
EUNC 1/4" - 20 WEG TBG253  
(DIN 332)



Comprimento do cabo de aterramento 30+2" a partir da base / Grounding lead 30+2" length from base  
 Comprimento dos cabos de ligação 30+2" a partir da base / Connection leads 30+2" length from base  
 Etiqueta sobressalente sem logotipos de certificação e sem número de série fornecida em avulso /  
 Spare label without certification logo and without serial number supplied loose  
 Comprimento dos cabos de acessórios 30+2" a partir da base /  
 Accessories cables length 30+2" from the base  
 Forma construtiva F-3/B3T / Mounting F-3/B3T

**WEG ELECTRIC CORP.**

500001038869	B-6	ALT CONFORME CLAIM 413861030	GEVERSON	ANDERSONLB	21.05.2015	09
500001035390	B-6	ACR. FURO CENTRO ROSCADO	DJONASB	DJONASB	12.05.2015	08
ECM	LOC	SUMMARY OF MODIFICATIONS	EXECUTED	CHECKED	RELEASED	DATE VER
EXECUTED	EDUARDOC1	THREE PHASE ROLLED STEEL MOTOR FRAME 182/4TZ IP55 (TEAO)	10002306870			
CHECKED			000	09		
RELEASED	JTOGNERI		SHEET	1 / 1		
REL DT	07.06.2013	WMO	JARAGUA DO SUL	ENGENHARIA DE PRODUTO		

				LC	L	
7.5 / 10 HP	02 Poles	60Hz	413759946	10.236	17.070	C
5 / 7.5 HP	02 Poles	60Hz	413759945	9.449	16.282	B
10 HP	02 Poles	60Hz	412839899	10.236	17.070	A