

DATA SHEET

Single Phase Induction Motor - Squirrel Cage



Customer :

Product line : General Single-Phase Product code : 10658520

Frame	: B56	Locked rotor time	: 10s (cold) 6s (hot)
Output	: 0.25 HP (0.18 kW)	Temperature rise	: 80 K
Poles	: 4	Duty cycle	: Cont.(S1)
Frequency	: 60 Hz	Ambient temperature	: -20°C to +40°C
Rated voltage	: 115/208-230 V	Altitude	: 1000 m.a.s.l.
Rated current	: 4.70/2.20-2.35 A	Protection degree	: IP55
L. R. Amperes	: 27.3/12.8-13.6 A	Cooling method	: IC411 - TEFC
LRC	: 5.8x(Code P)	Mounting	: F-1
No load current	: 4.00/1.72-2.00 A	Rotation ¹	: Both (CW and CCW)
Rated speed	: 1750 rpm	Noise level ²	: 50.0 dB(A)
Slip	: 2.78 %	Starting method	: Direct On Line
Rated torque	: 0.104 kgfm	Approx. weight ³	: 8.9 kg
Locked rotor torque	: 360 %		
Breakdown torque	: 280 %		
Insulation class	: B		
Service factor	: 1.15		
Moment of inertia (J)	: 0.0023 kgm ²		

Output	50%	75%	100%	Foundation loads	
Efficiency (%)	45.0	53.0	57.7	Max. traction	: 4 kgf
Power Factor	0.41	0.50	0.58	Max. compression	: 13 kgf

	Drive end	Non drive end
Bearing type	: 6203 ZZ	: 6202 ZZ
Sealing	: V'Ring	: V'Ring
Lubrication interval	: -	: -
Lubricant amount	: -	: -
Lubricant type	: Mobil Polyrex EM	

Notes

This revision replaces and cancel the previous one, which must be eliminated.

- (1) Looking the motor from the shaft end.
- (2) Measured at 1m and with tolerance of +3dB(A).
- (3) Approximate weight subject to changes after manufacturing process.
- (4) At 100% of full load.

These are average values based on tests with sinusoidal power supply, subject to the tolerances stipulated in NEMA MG-1.

Rev.	Changes Summary	Performed	Checked	Date
Performed by				
Checked by			Page	Revision
Date	26/10/2024		1 / 2	

LOAD PERFORMANCE CURVE

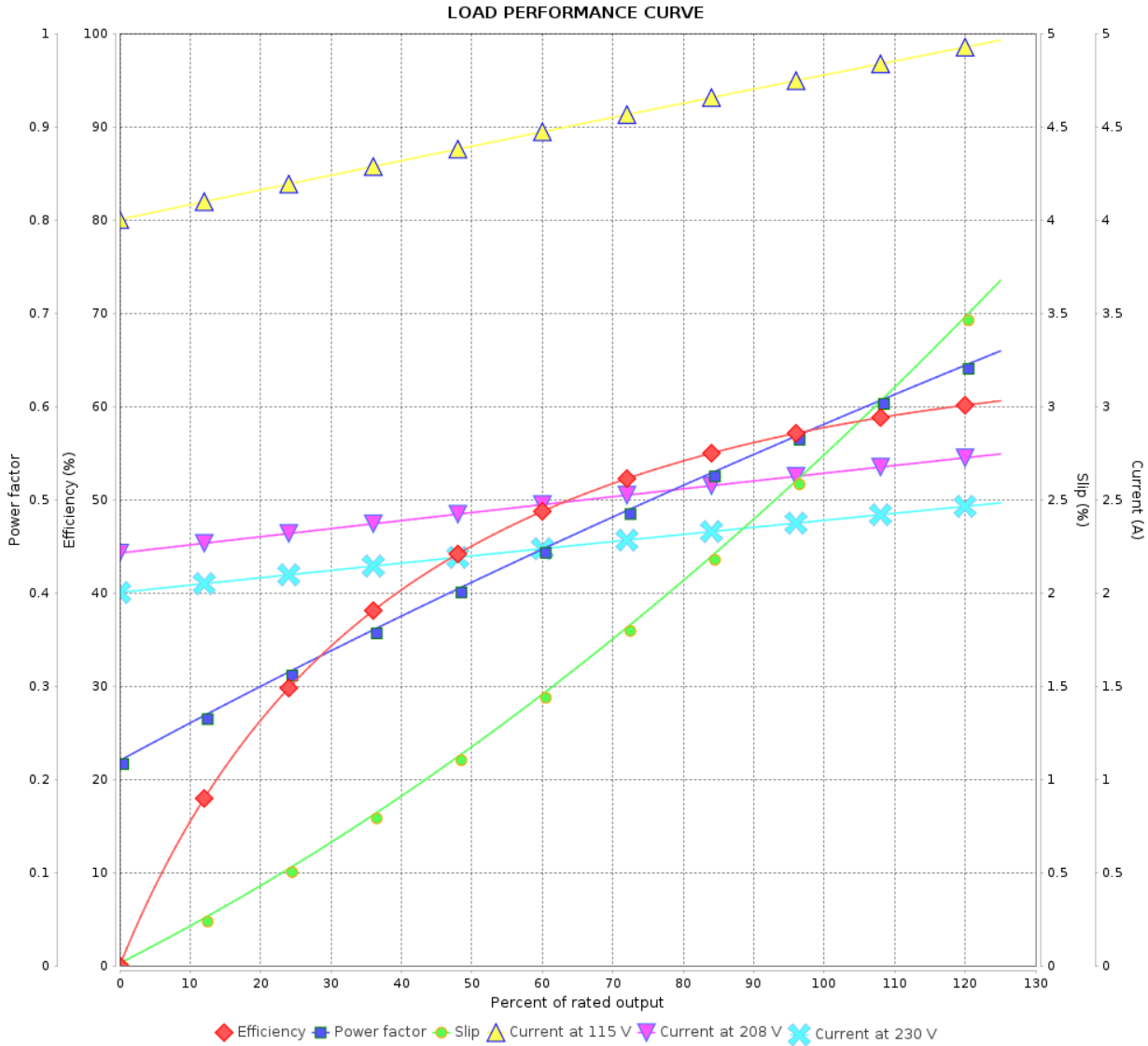
Single Phase Induction Motor - Squirrel Cage



Customer : _____

Product line : General Single-Phase

Product code : 10658520



Performance : 115/208-230 V 60 Hz 4P

Rated current : 4.70/2.20-2.35 A
 LRC : 5.8
 Rated torque : 0.104 kgfm
 Locked rotor torque : 360 %
 Breakdown torque : 280 %
 Rated speed : 1750 rpm

Moment of inertia (J) : 0.0023 kgm²
 Duty cycle : Cont.(S1)
 Insulation class : B
 Service factor :
 Temperature rise : 80 K

Rev.	Changes Summary	Performed	Checked	Date
Performed by			Page	Revision
Checked by				
Date				

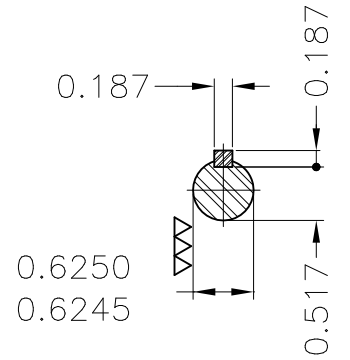
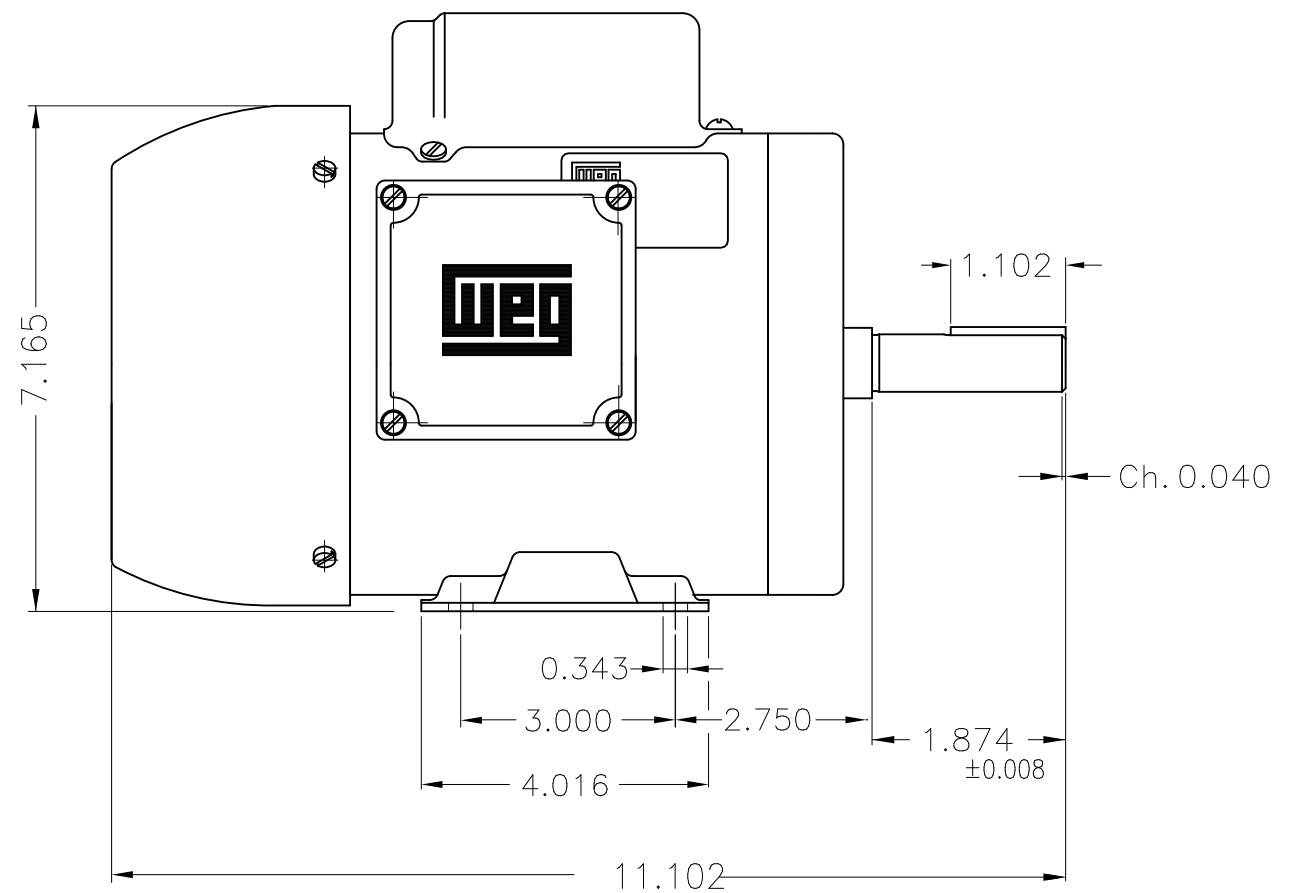
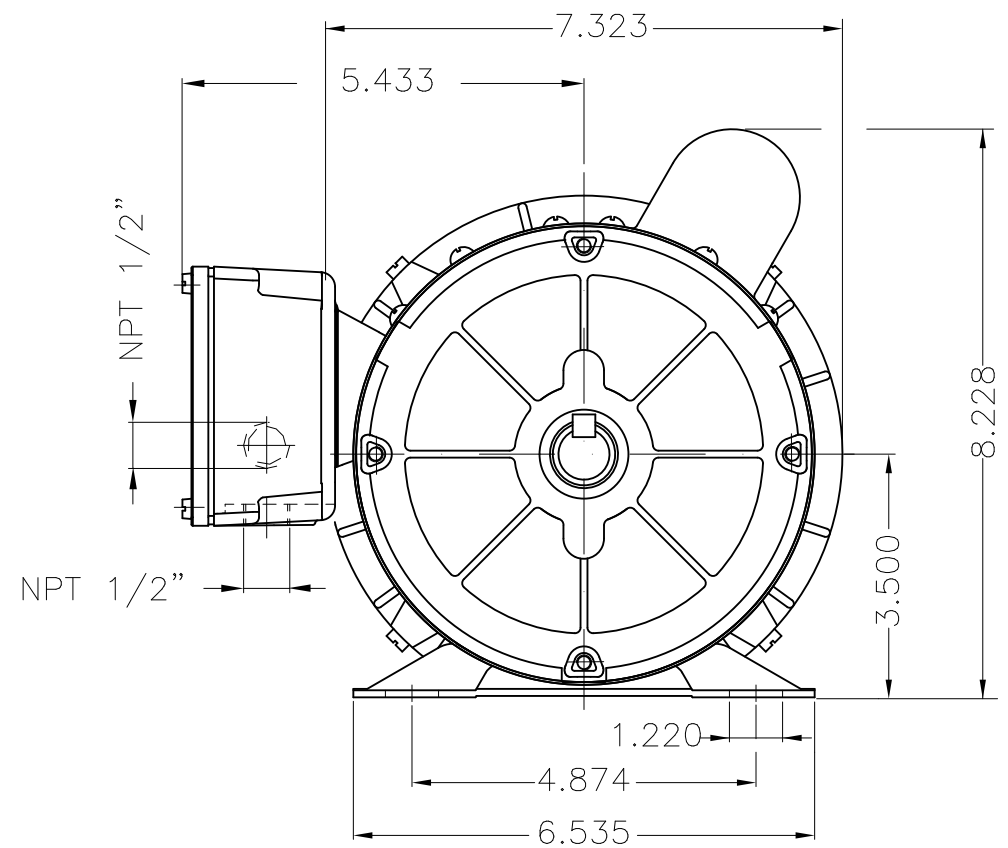
A

B

C

D

E



Dimensions in inches

Mounting B3R(D)						
ECM	LOC	SUMMARY OF MODIFICATIONS		EXECUTED	CHECKED	RELEASED
EXECUTED	HYBRISUSER	SINGLE PH. MOTOR GENERAL				
CHECKED		FRAME B56 IP55 TEFC				
RELEASED						
REL. DATE	WMO	Jaragua do Sul	Product Engineering	HYBRISUSER	00	00

1/4 HP 04 Poles 60 Hz

A PREVIEW WDD 00 SHEET 1 / 1

