

DATA SHEET



Single Phase Induction Motor - Squirrel Cage

Customer :						
Product line		: General Single-Phase		Product code : 10795746		
Frame	: G143/5TC		Locked rotor time	: 10s (cold) 6s (hot)		
Output	: 2 HP (1.5 kW)		Temperature rise	: 80 K		
Poles	: 2		Duty cycle	: Cont.(S1)		
Frequency	: 60 Hz		Ambient temperature	: -20°C to +40°C		
Rated voltage	: 115/208-230 V		Altitude	: 1000 m.a.s.l.		
Rated current	: 20.0/10.6-10.0 A		Protection degree	: IP55		
L. R. Amperes	: 140/74.2-70.0 A		Cooling method	: IC411 - TEFC		
LRC	: 7.0x(Code K)		Mounting	: F-1		
No load current	: 9.00/3.88-4.50 A		Rotation ¹	: Both (CW and CCW)		
Rated speed	: 3470 rpm		Noise level ²	: 55.0 dB(A)		
Slip	: 3.61 %		Starting method	: Direct On Line		
Rated torque	: 0.418 kgfm		Approx. weight ³	: 21.9 kg		
Locked rotor torque	: 250 %					
Breakdown torque	: 240 %					
Insulation class	: B					
Service factor	: 1.15					
Moment of inertia (J)	: 0.0033 kgm ²					
Output	50%	75%	100%	Foundation loads		
Efficiency (%)	69.0	73.0	74.0	Max. traction : 17 kgf		
Power Factor	0.72	0.81	0.87	Max. compression : 39 kgf		
		<u>Drive end</u>		<u>Non drive end</u>		
Bearing type	:	6205 ZZ		6203 ZZ		
Sealing	:	V'Ring		V'Ring		
Lubrication interval	:	-		-		
Lubricant amount	:	-		-		
Lubricant type	:	Mobil Polyrex EM				
Notes						
<p>This revision replaces and cancel the previous one, which must be eliminated.</p> <p>(1) Looking the motor from the shaft end.</p> <p>(2) Measured at 1m and with tolerance of +3dB(A).</p> <p>(3) Approximate weight subject to changes after manufacturing process.</p> <p>(4) At 100% of full load.</p>			<p>These are average values based on tests with sinusoidal power supply, subject to the tolerances stipulated in NEMA MG-1.</p>			
Rev.	Changes Summary			Performed	Checked	Date
Performed by						
Checked by					Page	Revision
Date	26/10/2024				1 / 2	

LOAD PERFORMANCE CURVE

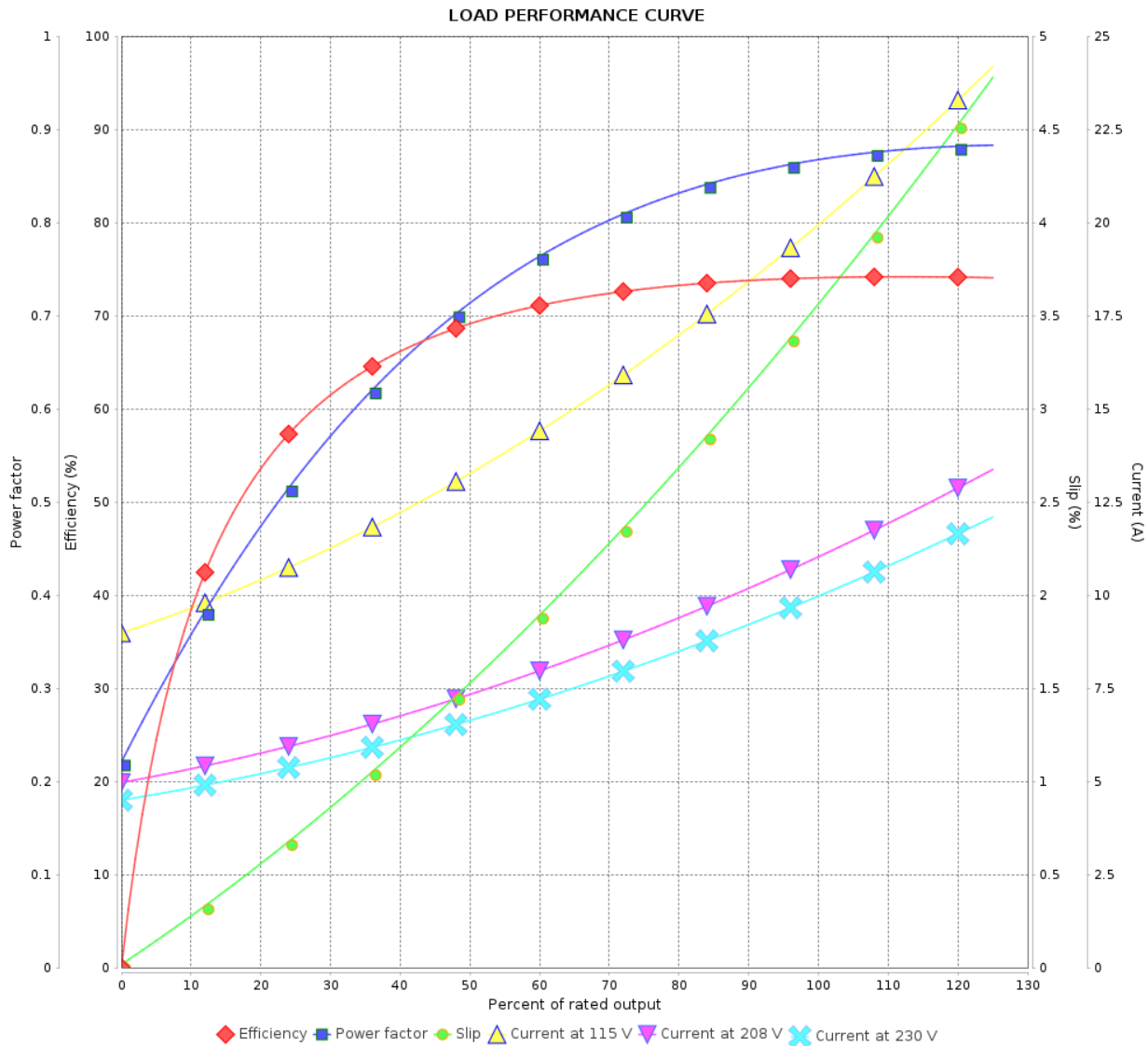
Single Phase Induction Motor - Squirrel Cage



Customer : _____

Product line : General Single-Phase

Product code : 10795746

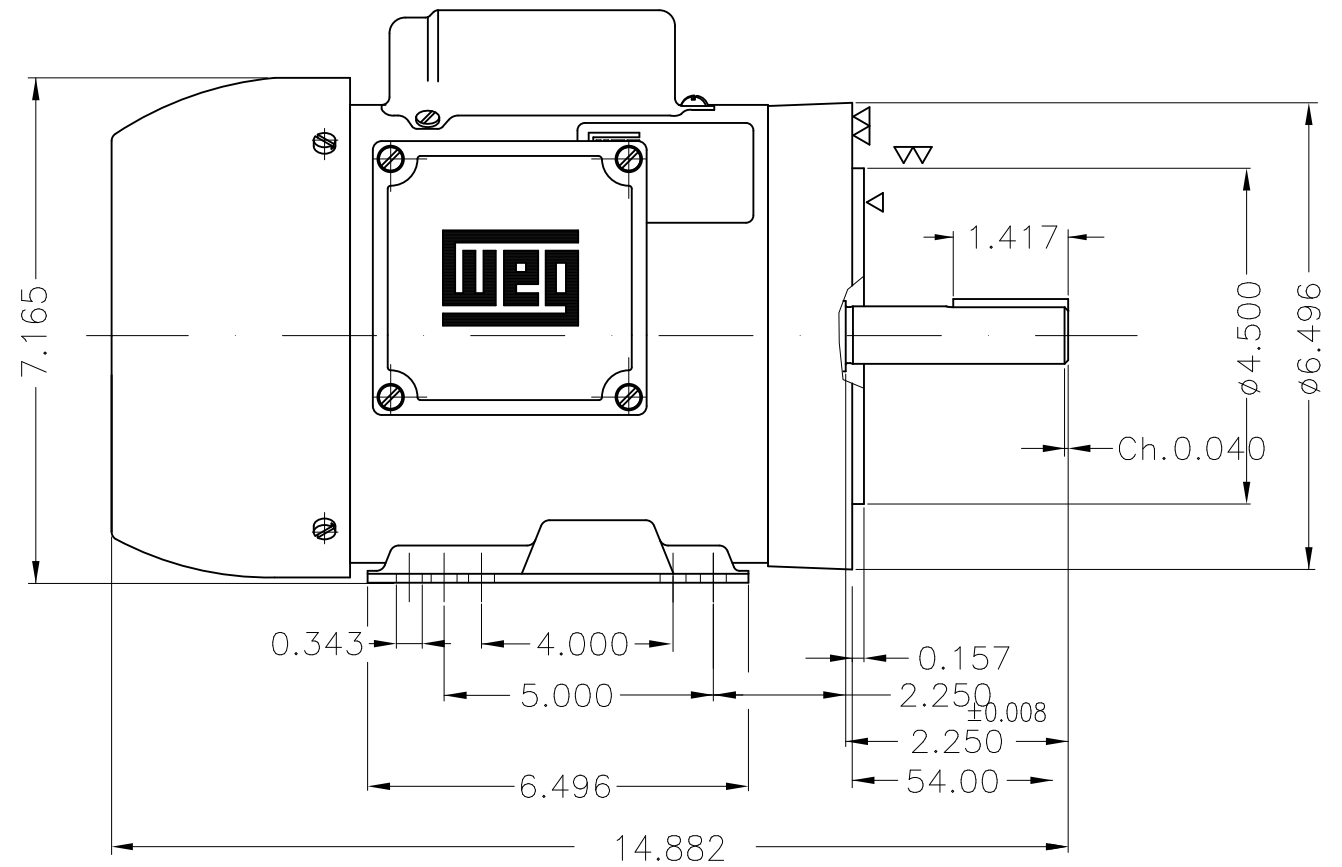
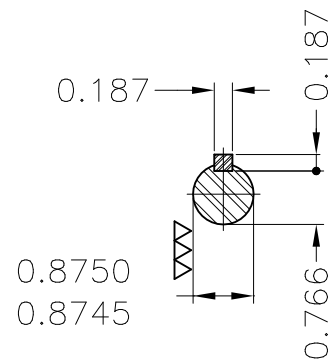
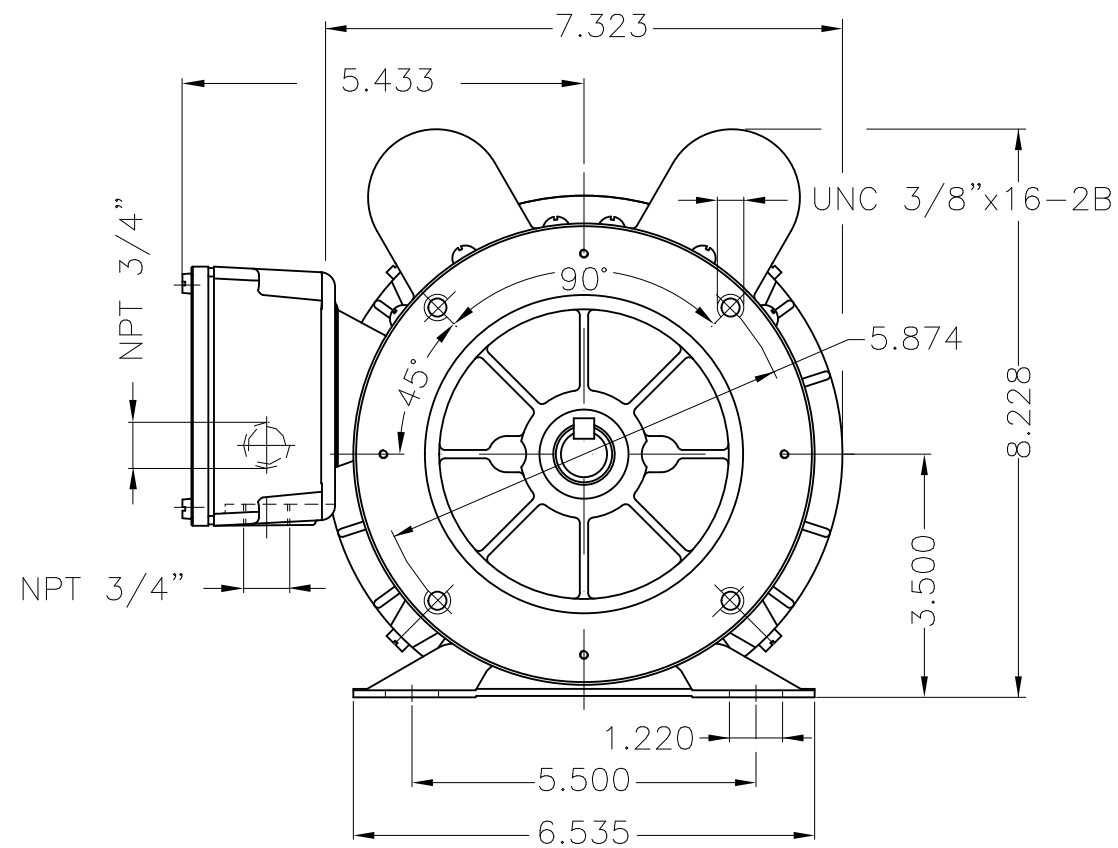


Performance : 115/208-230 V 60 Hz 2P

Rated current : 20.0/10.6-10.0 A
 LRC : 7.0
 Rated torque : 0.418 kgfm
 Locked rotor torque : 250 %
 Breakdown torque : 240 %
 Rated speed : 3470 rpm

Moment of inertia (J) : 0.0033 kgm²
 Duty cycle : Cont.(S1)
 Insulation class : B
 Service factor :
 Temperature rise : 80 K

Rev.	Changes Summary	Performed	Checked	Date
Performed by			Page	Revision
Checked by				
Date				



Mounting B34R(D)									
ECM	LOC	SUMMARY OF MODIFICATIONS			EXECUTED	CHECKED	RELEASED	DATE	VER
EXECUTED	HYBRISUSER	SINGLE PH. MOTOR GENERAL							
CHECKED		FRAME G143/5TC IP55 TEFC							
RELEASED									
REL. DATE		WMO	Jaragua do Sul	Product Engineering					

2 HP 02 Poles 60 Hz

A PREVIEW WDD 00 SHEET 1 / 1

