

DATA SHEET



Single Phase Induction Motor - Squirrel Cage

Customer :				
Product line	: General Single-Phase	Product code :	10795745	
Frame	: G143/5TC	Locked rotor time	: 10s (cold) 6s (hot)	
Output	: 1.5 HP (1.1 kW)	Temperature rise	: 80 K	
Poles	: 4	Duty cycle	: Cont.(S1)	
Frequency	: 60 Hz	Ambient temperature	: -20°C to +40°C	
Rated voltage	: 115/208-230 V	Altitude	: 1000 m.a.s.l.	
Rated current	: 17.4/8.70-8.70 A	Protection degree	: IP55	
L. R. Amperes	: 113/56.5-56.5 A	Cooling method	: IC411 - TEFC	
LRC	: 6.5x(Code K)	Mounting	: F-1	
No load current	: 11.8/5.09-5.90 A	Rotation ¹	: Both (CW and CCW)	
Rated speed	: 1750 rpm	Noise level ²	: 55.0 dB(A)	
Slip	: 2.78 %	Starting method	: Direct On Line	
Rated torque	: 0.622 kgfm	Approx. weight ³	: 23.3 kg	
Locked rotor torque	: 280 %			
Breakdown torque	: 260 %			
Insulation class	: B			
Service factor	: 1.15			
Moment of inertia (J)	: 0.0082 kgm ²			
Output	25% 50% 75% 100%	Foundation loads		
Efficiency (%)	0.000 70.0 75.0 76.5	Max. traction	: 34 kgf	
Power Factor	0.00 0.52 0.64 0.72	Max. compression	: 57 kgf	
		<u>Drive end</u>	<u>Non drive end</u>	
Bearing type	:	6205 ZZ	6203 ZZ	
Sealing	:	V'Ring	V'Ring	
Lubrication interval	:	-	-	
Lubricant amount	:	-	-	
Lubricant type	:	Mobil Polyrex EM		
Notes				
This revision replaces and cancel the previous one, which must be eliminated. (1) Looking the motor from the shaft end. (2) Measured at 1m and with tolerance of +3dB(A). (3) Approximate weight subject to changes after manufacturing process. (4) At 100% of full load.		These are average values based on tests with sinusoidal power supply, subject to the tolerances stipulated in NEMA MG-1.		
Rev.	Changes Summary	Performed	Checked	Date
Performed by				
Checked by			Page	Revision
Date	26/10/2024		1 / 2	

LOAD PERFORMANCE CURVE

Single Phase Induction Motor - Squirrel Cage

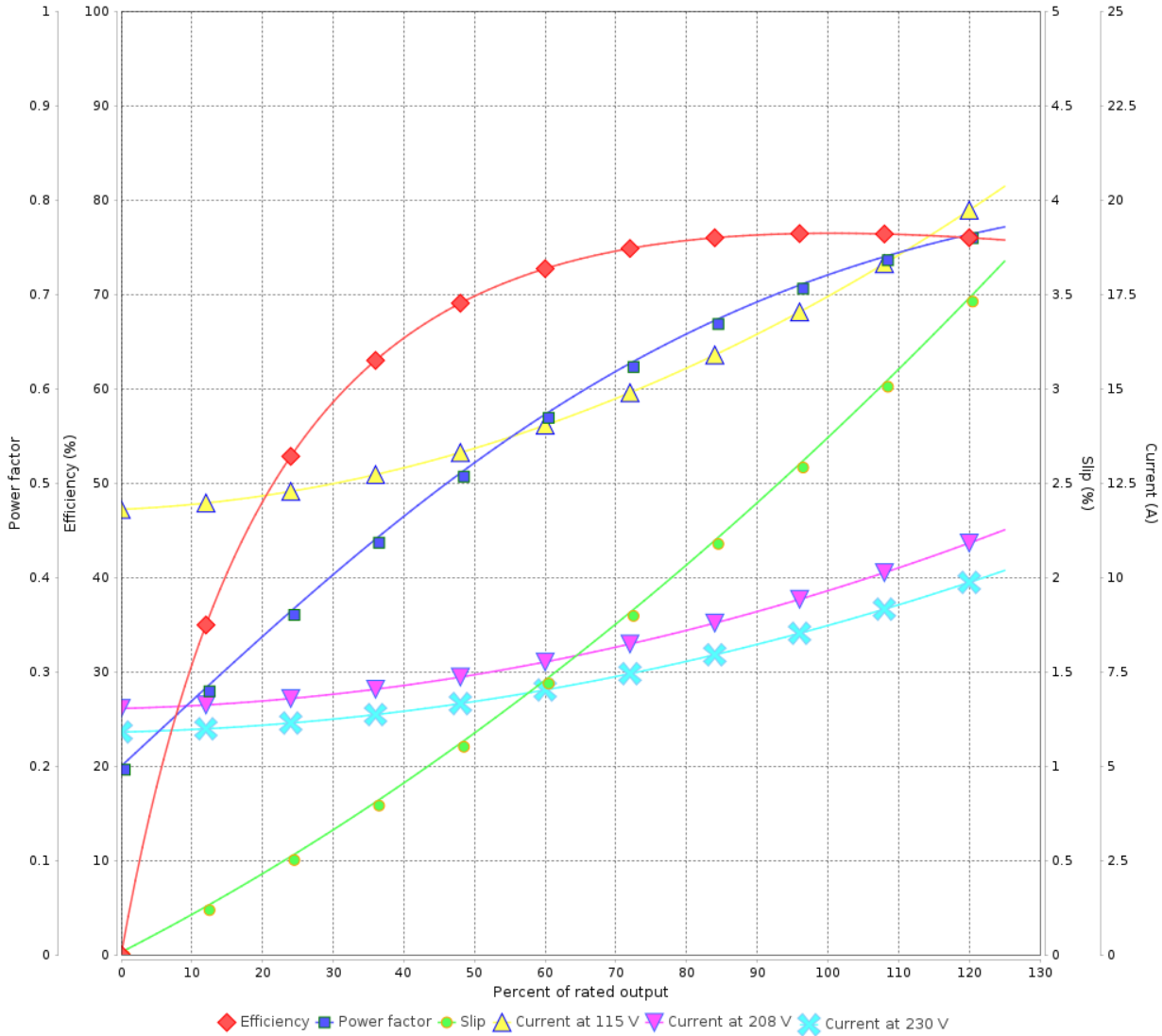


Customer :

Product line : General Single-Phase

Product code : 10795745

LOAD PERFORMANCE CURVE

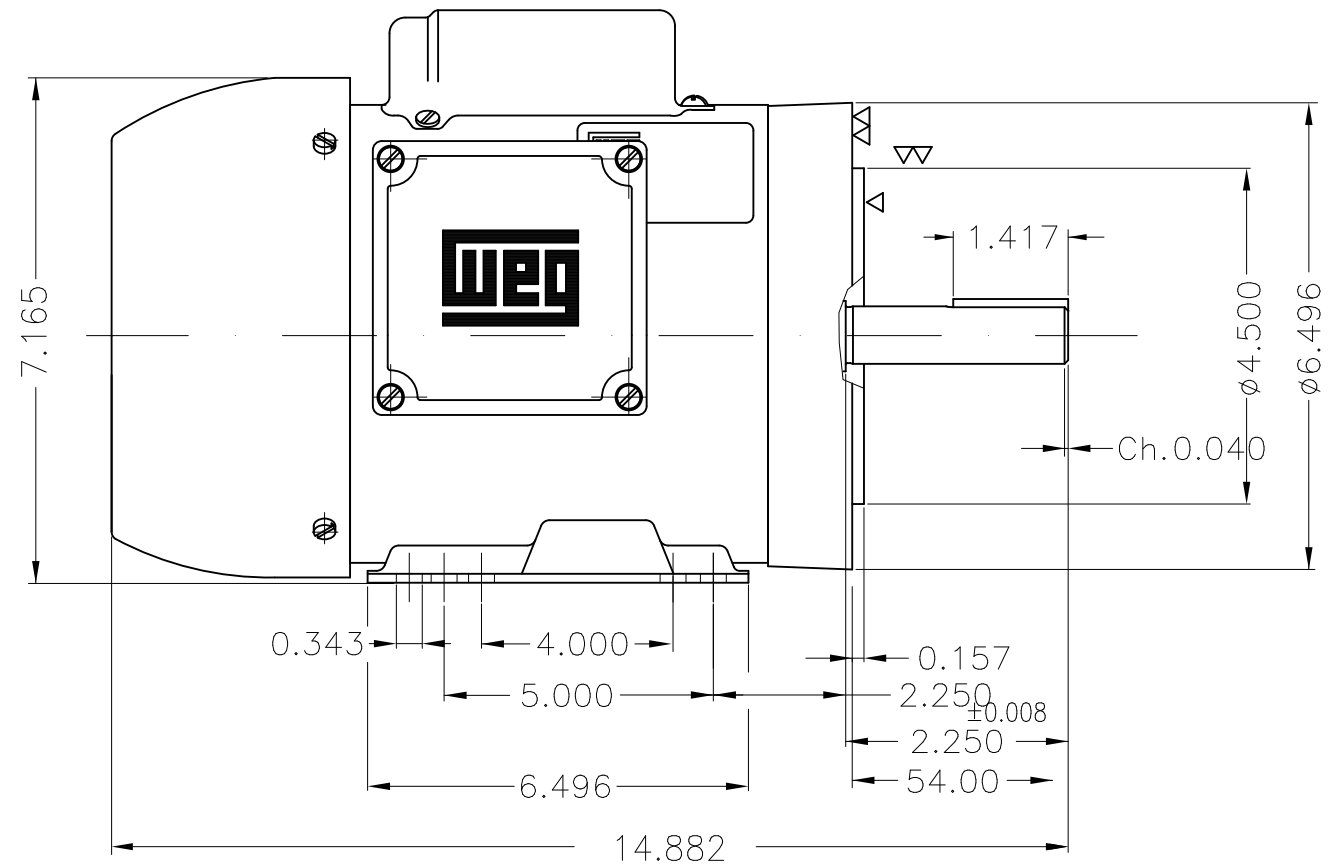
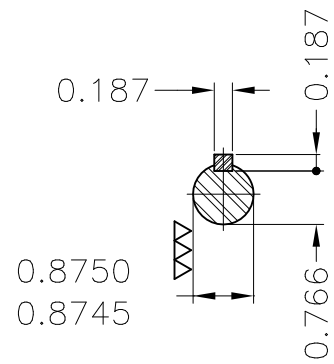
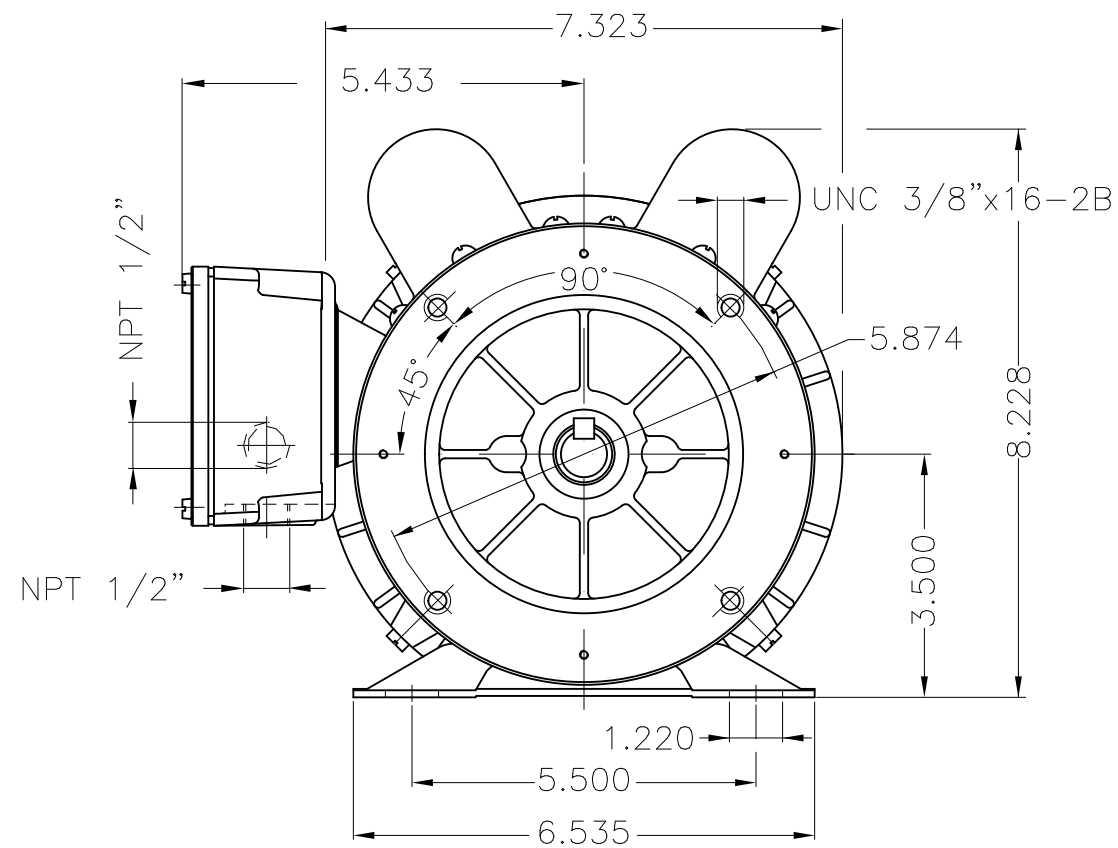


Performance : 115/208-230 V 60 Hz 4P

Rated current : 17.4/8.70-8.70 A
 LRC : 6.5
 Rated torque : 0.622 kgfm
 Locked rotor torque : 280 %
 Breakdown torque : 260 %
 Rated speed : 1750 rpm

Moment of inertia (J) : 0.0082 kgm²
 Duty cycle : Cont.(S1)
 Insulation class : B
 Service factor :
 Temperature rise : 80 K

Rev.	Changes Summary	Performed	Checked	Date
Performed by			Page 2 / 2	Revision
Checked by				
Date	26/10/2024			



Mounting B34R(D)									
ECM	LOC	SUMMARY OF MODIFICATIONS			EXECUTED	CHECKED	RELEASED	DATE	VER
EXECUTED	HYBRISUSER	SINGLE PH. MOTOR GENERAL							
CHECKED		FRAME G143/5TC IP55 TEFC							
RELEASED									
REL. DATE		WMO	Jaragua do Sul	Product Engineering					

1.5 HP 04 Poles 60 Hz

A

PREVIEW

WDD 00

SHEET 1 / 1



Dimensions in inches XME A3