



# LOAD PERFORMANCE CURVE

Three Phase Induction Motor - Squirrel Cage

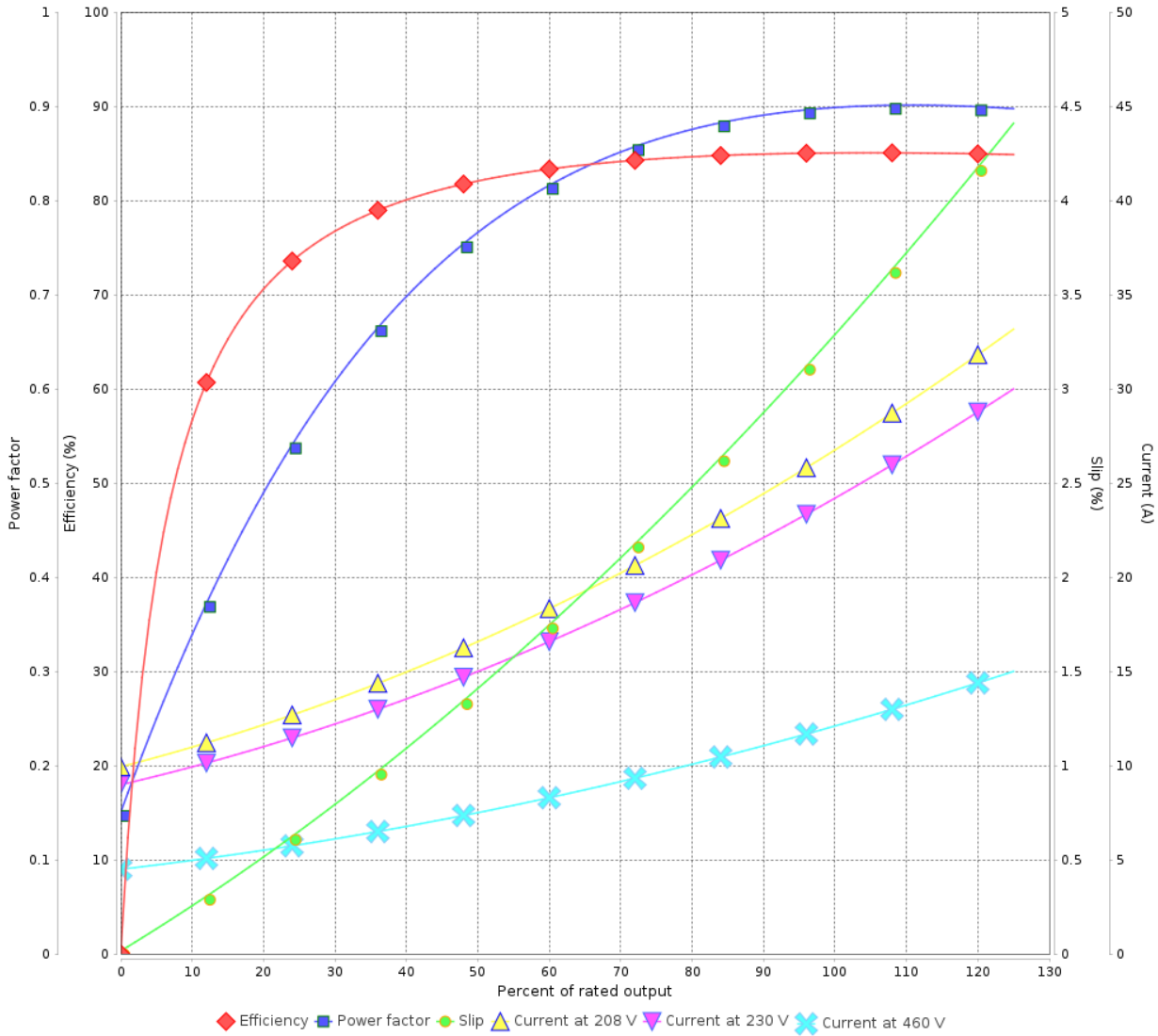


Customer :

Product line : Saw Arbor Motor Standard  
Efficiency Three-Phase

Product code : 10793852

LOAD PERFORMANCE CURVE



Performance : 208-230/460 V 60 Hz 2P

Rated current : 27.2-24.6/12.3 A  
 LRC : 8.7  
 Rated torque : 2.09 kgfm  
 Locked rotor torque : 400 %  
 Breakdown torque : 420 %  
 Rated speed : 3480 rpm

Moment of inertia (J) : 0.0140 kgm<sup>2</sup>  
 Duty cycle : S1  
 Insulation class : F  
 Service factor : 1.15  
 Temperature rise : 80 K  
 Design : N

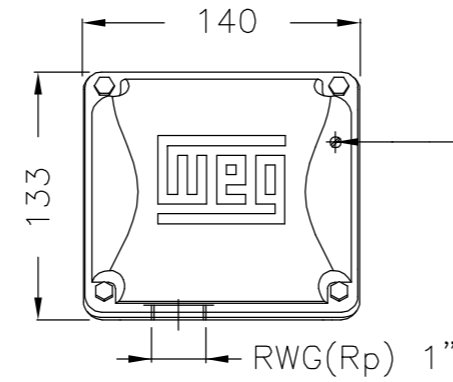
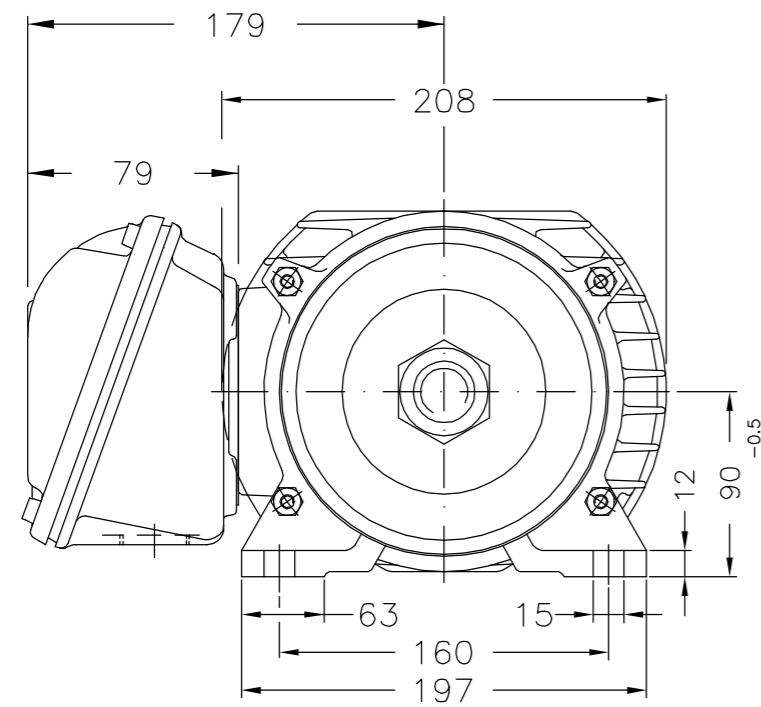
Rev.	Changes Summary	Performed	Checked	Date
Performed by			Page 2 / 2	Revision
Checked by				
Date	26/10/2024			

No reproduction of this drawing is allowed without written permission of WEG Motores

EIXO	
PADRÃO	X
OPCIONAL	
ESPECIAL	

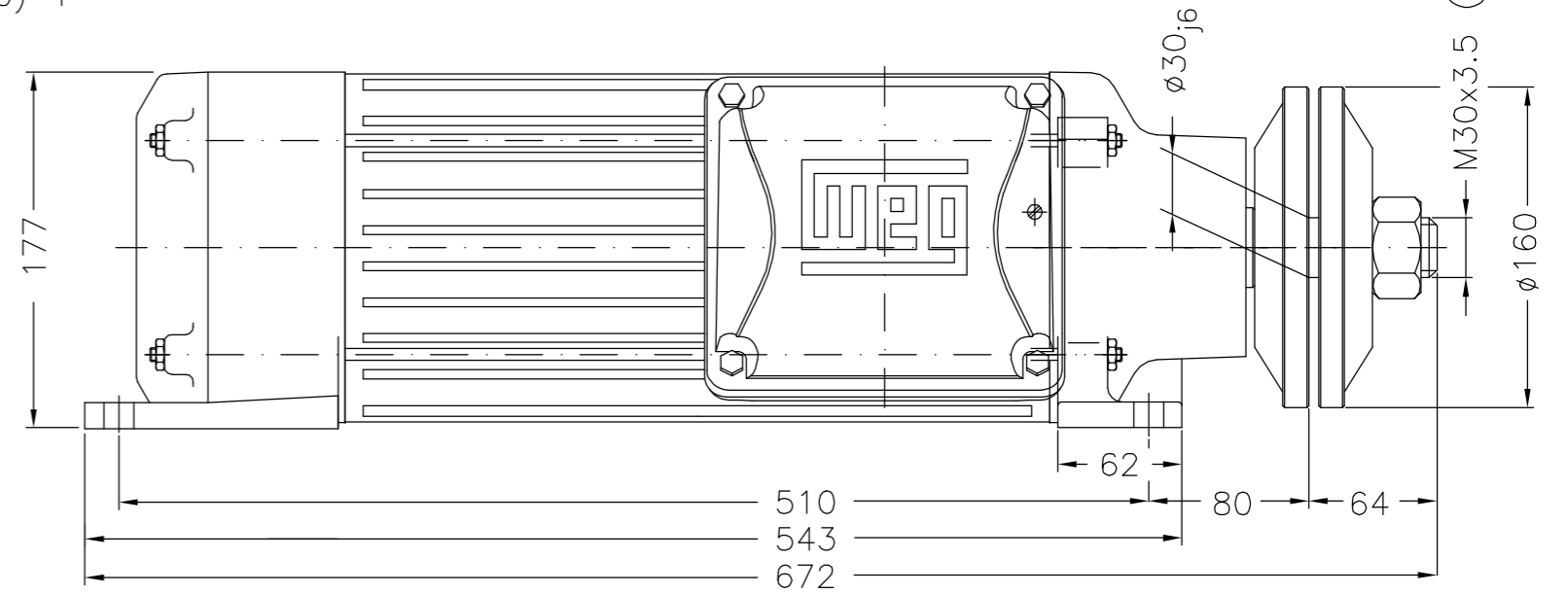
Dimensões em mm  
Dimensions in mm

THIS IS AN UPDATED REVISION, THE PREVIOUS ONE MUST BE DISREGARDED.



Grounding for leads 2-10 mm<sup>2</sup> / 14-7 AWG

Main terminal box



Fornecido com 2 arruelas onduladas no mancal traseiro /  
Supplied with 2 preload washers at non-drive end  
Isolamento Classe F (Dt=80K) / Class F insulation - 80K temperature rise  
Sentido de rotação anti-horário / Counter clockwise rotation  
Fator de serviço 1.0 / Service factor 1.0  
Forma construtiva B3D / Mounting B3R(D)

500001273522		ALT. CONFORME CLAIM 414559355	FRANCINES	CASSIO	23.02.2017	03
500000656433		ALT. CONFORME CLAIM 412584631	ANDERSONLB	CAMILAH	11.09.2012	02
ECM	LOC	SUMMARY OF MODIFICATIONS	EXECUTED	CHECKED	RELEASED	DATE VER
EXECUTED	ADRIANAP	THREE PHASE SAW ARBOR MOTOR FRAME 90L/MS IP54	E1003239			
CHECKED			000	03		
RELEASED	RUDMAR		SHEET 1 / 1			
REL DT	21.09.2008	WMO	JARAGUA DO SUL	ENGENHARIA DE PRODUTO		

7.5 HP 4 POLE 60 Hz  
10 HP 2 POLE 60 Hz