

DATA SHEET



Three Phase Induction Motor - Squirrel Cage

Customer :						
Product line		: Saw Arbor Motor Standard Efficiency Three-Phase		Product code : 11641330		
Frame	:	80S/MS	Locked rotor time	: 16s (cold) 9s (hot)		
Output	:	3 HP (2.2 kW)	Temperature rise	: 80 K		
Poles	:	2	Duty cycle	: S1		
Frequency	:	60 Hz	Ambient temperature	: -20°C to +40°C		
Rated voltage	:	208-230/460 V	Altitude	: 1000 m.a.s.l.		
Rated current	:	9.49-8.58/4.29 A	Protection degree	: IP54		
L. R. Amperes	:	69.3-62.6/31.3 A	Cooling method	: IC411 - TEFC		
LRC	:	7.3	Mounting	: B3R(D)		
No load current	:	4.55-4.11/2.06 A	Rotation ¹	: CCW		
Rated speed	:	3500 rpm	Noise level ²	: 62.0 dB(A)		
Slip	:	2.78 %	Starting method	: Direct On Line		
Rated torque	:	0.622 kgfm	Approx. weight ³	: 38.3 kg		
Locked rotor torque	:	330 %				
Breakdown torque	:	370 %				
Insulation class	:	F				
Service factor	:	1.15				
Moment of inertia (J)	:	0.0032 kgm ²				
Design	:	N				
Output	50%	75%	100%	Foundation loads		
Efficiency (%)	76.0	79.5	80.5	Max. traction : 29 kgf		
Power Factor	0.65	0.75	0.80	Max. compression : 67 kgf		
		<u>Drive end</u>		<u>Non drive end</u>		
Bearing type	:	6307 ZZ		6207 ZZ		
Sealing	:	Without Bearing Seal		Without Bearing Seal		
Lubrication interval	:	-		-		
Lubricant amount	:	-		-		
Lubricant type	:	Mobil Polyrex EM				
Notes						
This revision replaces and cancel the previous one, which must be eliminated. (1) Looking the motor from the shaft end. (2) Measured at 1m and with tolerance of +3dB(A). (3) Approximate weight subject to changes after manufacturing process. (4) At 100% of full load.			These are average values based on tests with sinusoidal power supply, subject to the tolerances stipulated in NEMA MG-1.			
Rev.	Changes Summary			Performed	Checked	Date
Performed by						
Checked by					Page	Revision
Date	26/10/2024				1 / 2	

LOAD PERFORMANCE CURVE

Three Phase Induction Motor - Squirrel Cage

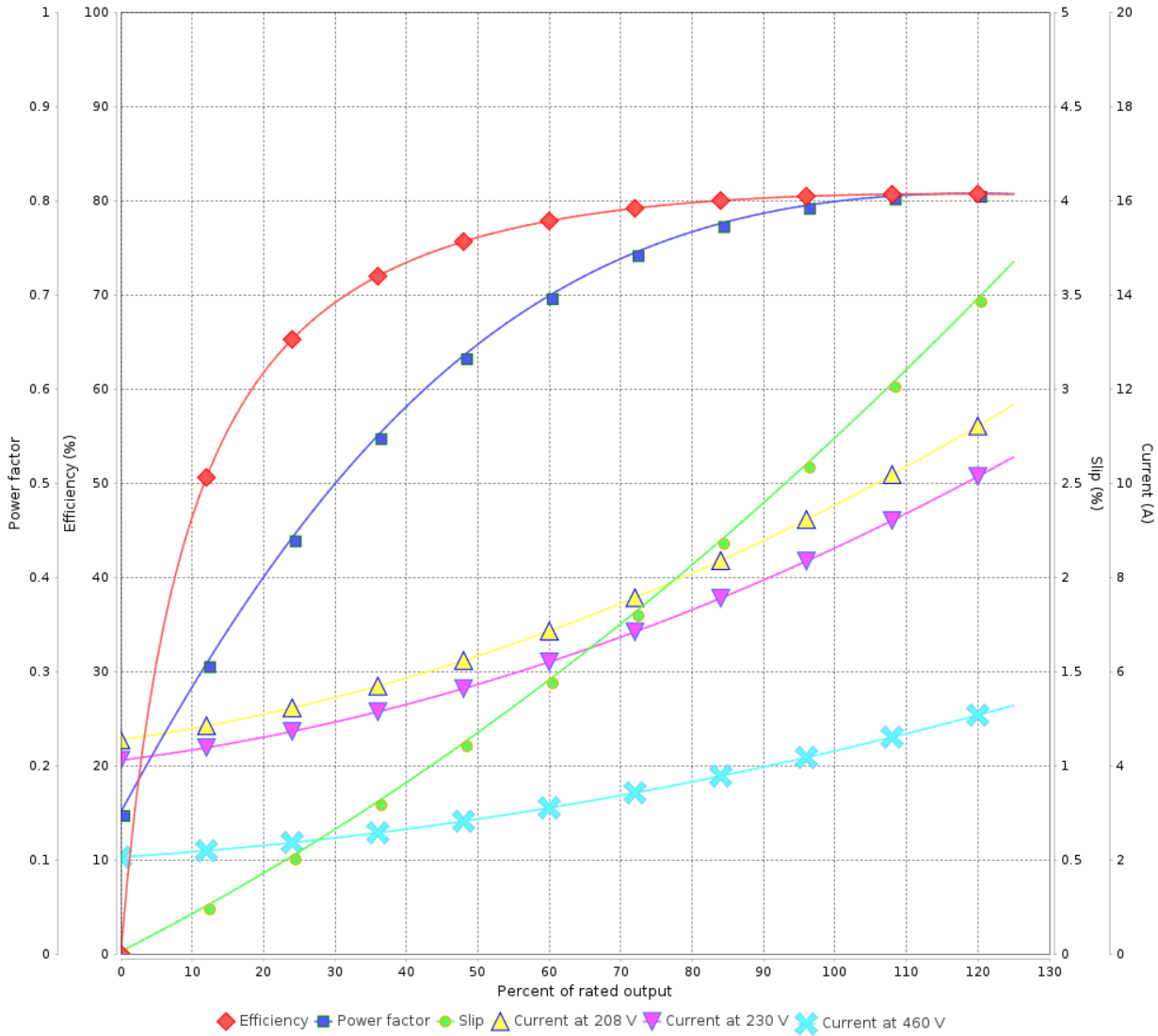


Customer :

Product line : Saw Arbor Motor Standard
Efficiency Three-Phase

Product code : 11641330

LOAD PERFORMANCE CURVE



Performance : 208-230/460 V 60 Hz 2P

Rated current : 9.49-8.58/4.29 A
 LRC : 7.3
 Rated torque : 0.622 kgfm
 Locked rotor torque : 330 %
 Breakdown torque : 370 %
 Rated speed : 3500 rpm

Moment of inertia (J) : 0.0032 kgm²
 Duty cycle : S1
 Insulation class : F
 Service factor : 1.15
 Temperature rise : 80 K
 Design : N

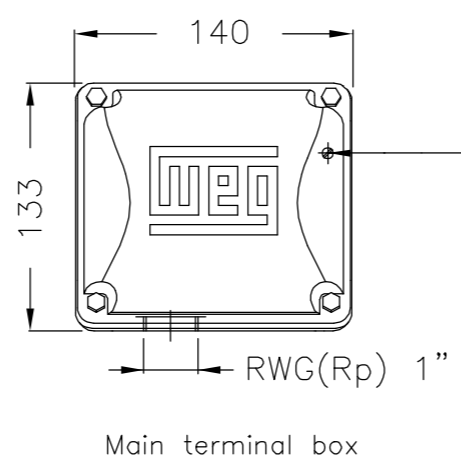
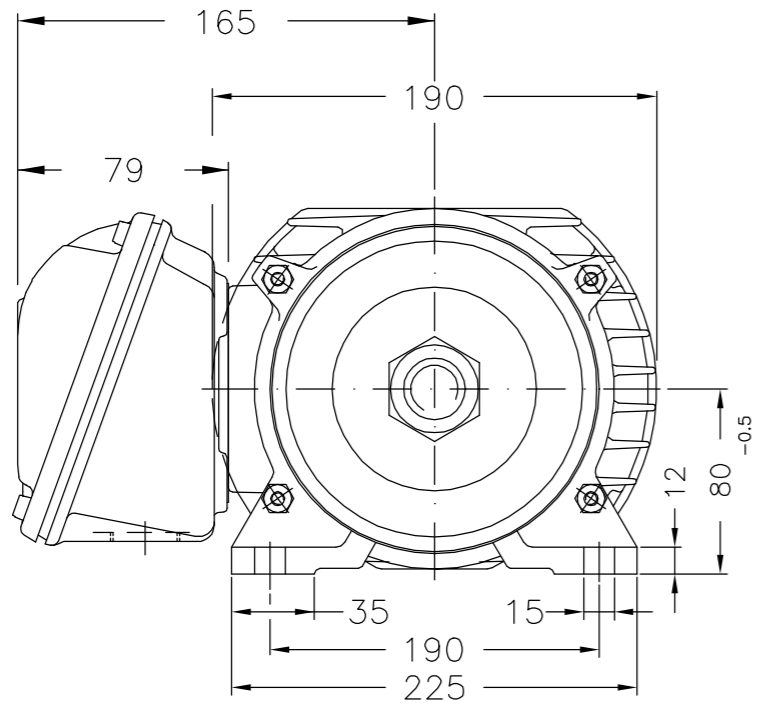
Rev.	Changes Summary	Performed	Checked	Date
Performed by			Page 2 / 2	Revision
Checked by				
Date	26/10/2024			

EIXO/SHAFT	
PADRÃO/STANDARD	X
OPCIONAL/OPTIONAL	
ESPECIAL/SPECIAL	

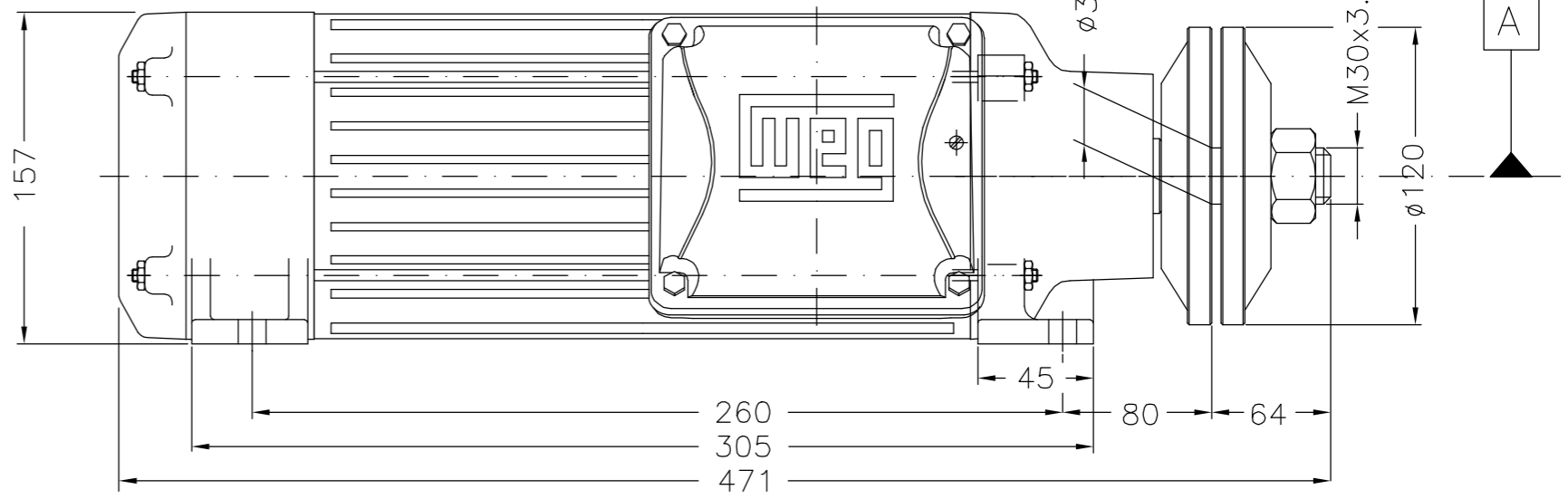
Dimensões em mm
Dimensions in mm

THIS IS AN UPDATED REVISION, THE PREVIOUS ONE MUST BE DISREGARDED.

A
B
C
D
E



Grounding for leads 2-10 mm² / 14-7 AWG



Fornecido com 2 arruelas onduladas no mancal traseiro para eliminal a folga axial
Supplied with 2 washer on N.D.E. bearing to eliminate the axial clearance
Sentido de Rotação Anti-Horário / Counter clockwise rotation
Isolamento classe F (Dt=80K) / Class F insulation - 80K temperature rise
Fator de Serviço 1.00 / Service factor 1.0
Forma Construtiva B3D / Mounting - B3R(D)

500001273532		ALT. CONFORME CLAIM 414559447	FRANCINES	CASSIO	23.02.2017	02
500000200617			ADRIANAP	LOURENCOQ	01.07.2009	
ECM ECM	LOC LOC	RESUMO MODIFICAÇÃO SUMMARY OF MODIFICATIONS	EXECUTADO EXECUTED	VERIFICADO CHECKED	LIBERADO RELEASED	DATA DATE
EXEC. /EXECUTED	RUDIK	V.J.PAMENSKY CA (ME 80S/MS)				
VERIF. /CHECKED						
LIBER. /RELEASED	RUDMAR					
DATA LB /REL DT	21.09.2008	JARAGUÁ DO SUL	ENG. DE PRODUTO	FOLHA/SHEET	01 / 01	

X2045.02.02 MEC

CÓPIA SEM CONTROLE
LIBERADO
ZME A3

