

DATA SHEET



Three Phase Induction Motor - Squirrel Cage

Customer :

Product line : Saw Arbor Motor Standard Efficiency Three-Phase Product code : 10793851

Frame	: 90L/MS	Locked rotor time	: 12s (cold) 7s (hot)
Output	: 10 HP (7.5 kW)	Temperature rise	: 80 K
Poles	: 2	Duty cycle	: S1
Frequency	: 60 Hz	Ambient temperature	: -20°C to +40°C
Rated voltage	: 575 V	Altitude	: 1000 m.a.s.l.
Rated current	: 9.83 A	Protection degree	: IP54
L. R. Amperes	: 85.5 A	Cooling method	: IC411 - TEFC
LRC	: 8.7	Mounting	: B3R(D)
No load current	: 3.60 A	Rotation ¹	: CW
Rated speed	: 3480 rpm	Noise level ²	: 68.0 dB(A)
Slip	: 3.33 %	Starting method	: Direct On Line
Rated torque	: 2.09 kgfm	Approx. weight ³	: 75.9 kg
Locked rotor torque	: 400 %		
Breakdown torque	: 420 %		
Insulation class	: F		
Service factor	: 1.15		
Moment of inertia (J)	: 0.0140 kgm ²		
Design	: N		

Output	50%	75%	100%	Foundation loads	
Efficiency (%)	82.0	84.5	85.0	Max. traction	: 180 kgf
Power Factor	0.77	0.86	0.90	Max. compression	: 256 kgf

	Drive end	Non drive end
Bearing type	: 6308 ZZ	6208 ZZ
Sealing	: Without Bearing Seal	Without Bearing Seal
Lubrication interval	: -	-
Lubricant amount	: -	-
Lubricant type	: Mobil Polyrex EM	

Notes

This revision replaces and cancel the previous one, which must be eliminated.

- (1) Looking the motor from the shaft end.
- (2) Measured at 1m and with tolerance of +3dB(A).
- (3) Approximate weight subject to changes after manufacturing process.
- (4) At 100% of full load.

These are average values based on tests with sinusoidal power supply, subject to the tolerances stipulated in NEMA MG-1.

Rev.	Changes Summary	Performed	Checked	Date
Performed by				
Checked by			Page	Revision
Date	26/10/2024		1 / 2	

LOAD PERFORMANCE CURVE

Three Phase Induction Motor - Squirrel Cage

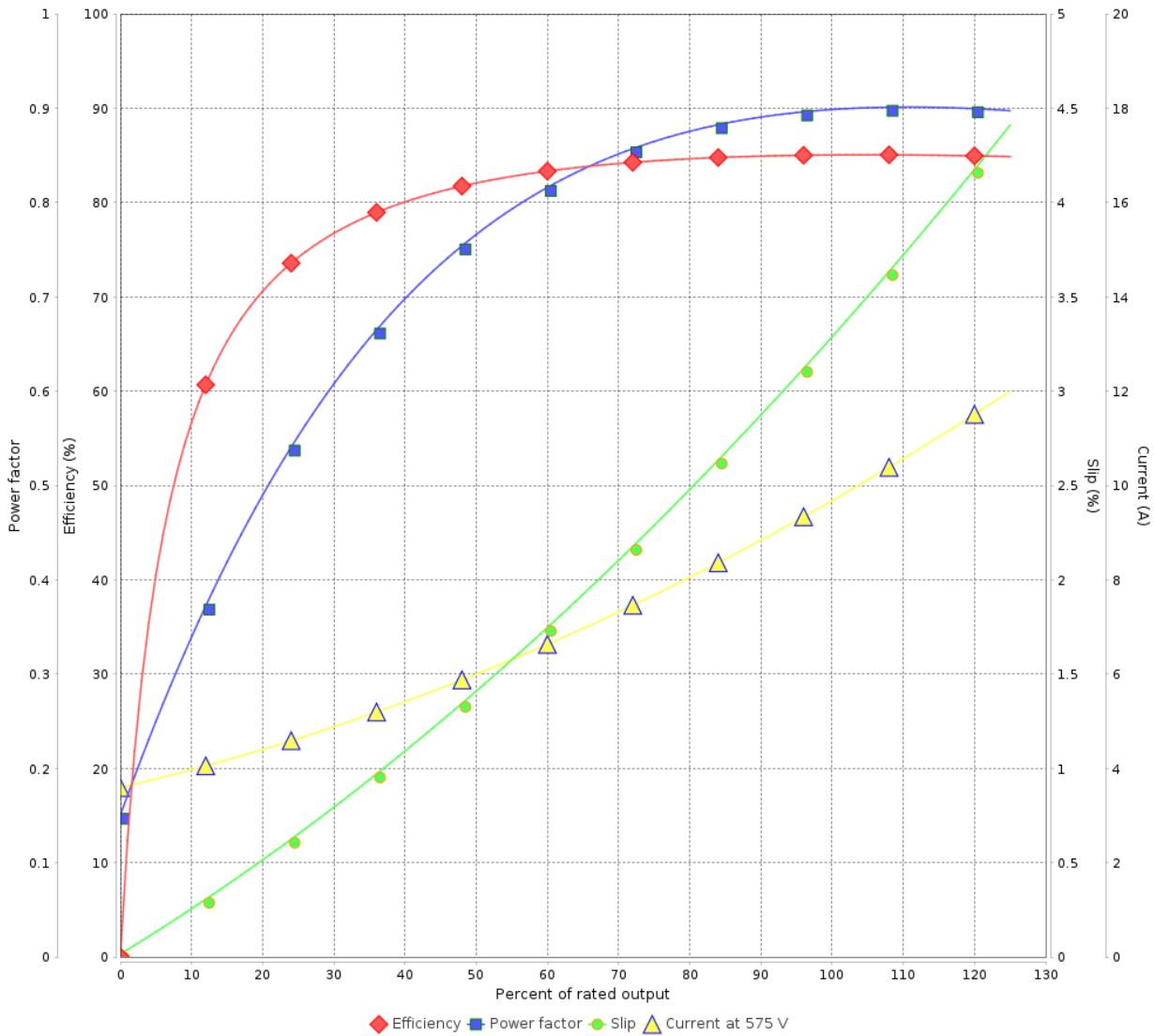


Customer :

Product line : Saw Arbor Motor Standard
Efficiency Three-Phase

Product code : 10793851

LOAD PERFORMANCE CURVE



Performance : 575 V 60 Hz 2P

Rated current	: 9.83 A	Moment of inertia (J)	: 0.0140 kgm ²
LRC	: 8.7	Duty cycle	: S1
Rated torque	: 2.09 kgfm	Insulation class	: F
Locked rotor torque	: 400 %	Service factor	: 1.15
Breakdown torque	: 420 %	Temperature rise	: 80 K
Rated speed	: 3480 rpm	Design	: N

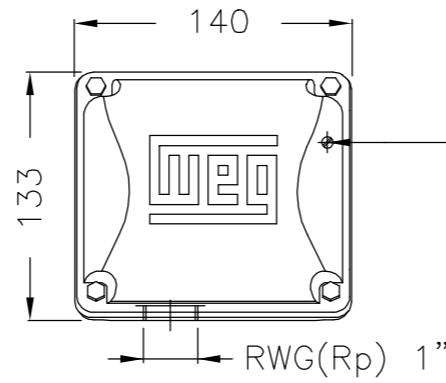
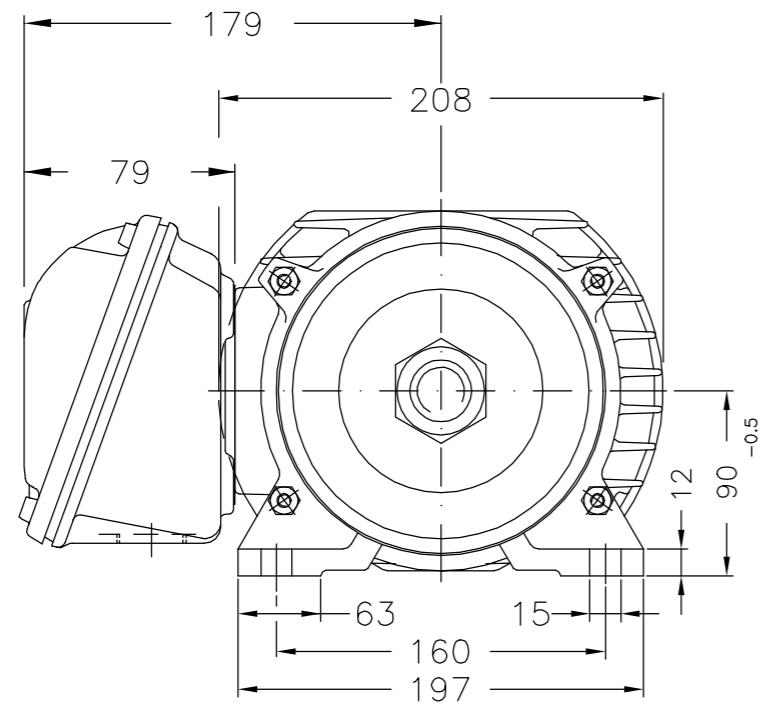
Rev.	Changes Summary	Performed	Checked	Date
Performed by			Page	Revision
Checked by			2 / 2	
Date	26/10/2024			

EIXO/SHAFT	
PADRÃO/STANDARD	X
OPCIONAL/OPTIONAL	
ESPECIAL/SPECIAL	

Dimensões em mm
Dimensions in mm

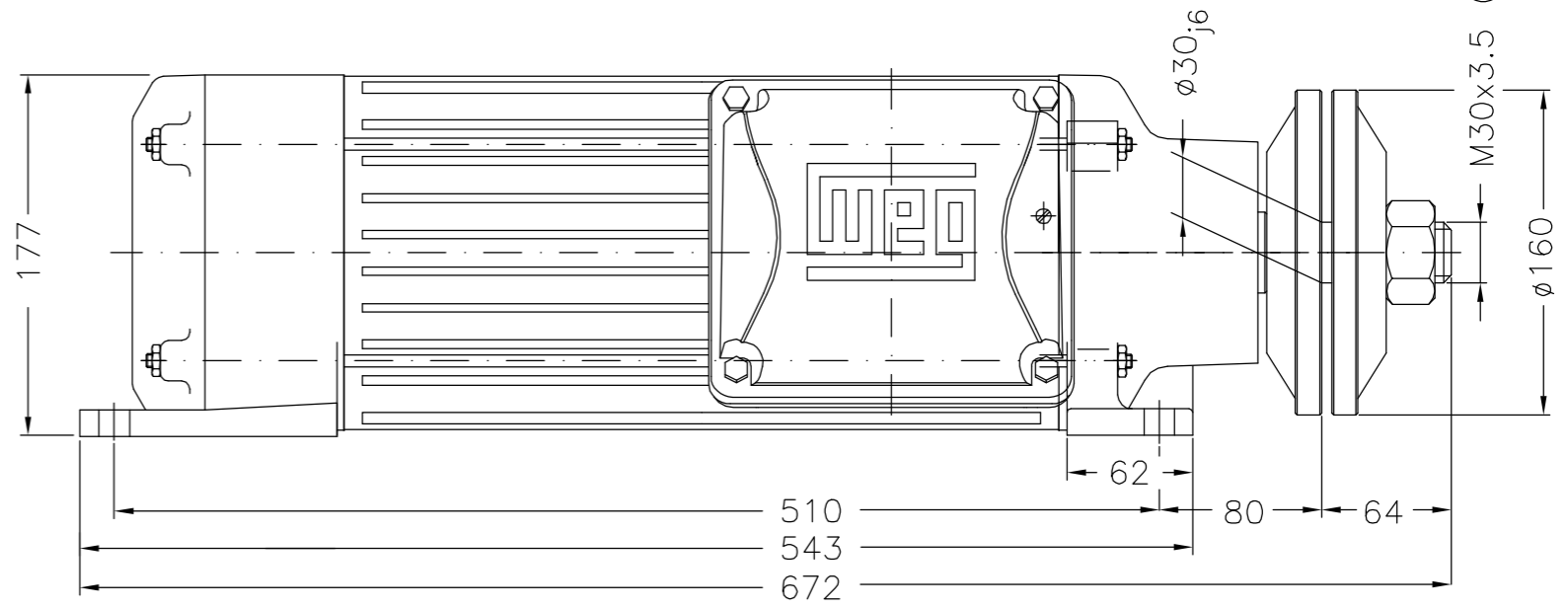
THIS IS AN UPDATED REVISION, THE PREVIOUS ONE MUST BE DISREGARDED.

A
B
C
D
E



Grounding for leads 2-10 mm² / 14-7 AWG

Main terminal box



Fornecido com 2 arruelas onduladas com mancal traseiro para eliminal a folga axial
Supplied with 2 washer on ODE bearing to eliminate the axial clearance
Isolamento classe F (Dt=80K) / Class F insulation - 80K temperature rise
Sentido de Rotação Horário / Clockwise
Fator de Serviço 1.0 / Service factor 1.0
Forma Construtiva B3D / Mounting - B3R(D)

500001273522		ALT. CONFORME CLAIM 414559355	FRANCINES		CASSIO	23.02.2017	01
500000002434			ADRIANAP		ADRIANAP	22.08.2008	00
ECM ECM	LOC LOC	RESUMO MODIFICAÇÃO SUMMARY OF MODIFICATIONS	EXECUTADO EXECUTED	VERIFICADO CHECKED	LIBERADO RELEASED	DATA DATE	VER VER
EXEC. /EXECUTED	ADRIANAP	V.J.PAMENSKY CA (ME 90L-MS)	E1003182		000 01		
VERIF. /CHECKED							
LIBER. /RELEASED	ADRIANAP						
DATA LB /REL DT	22.08.2008	JARAGUÁ DO SUL	ENG. DE PRODUTO	FOLHA/SHEET	01 / 01		



CÓPIA SEM CONTROLE
LIBERADO
ZME A3