

DATA SHEET



Single Phase Induction Motor - Squirrel Cage

Customer :

Product line : Compressor Duty Single-Phase Product code : 15842173

Frame	: G56HZ	Locked rotor time	: 10s (cold) 6s (hot)
Output	: 5 HP (3.7 kW)	Temperature rise	: 105 K
Poles	: 2	Duty cycle	: Cont.(S1)
Frequency	: 60 Hz	Ambient temperature	: -20°C to +40°C
Rated voltage	: 208-230 V	Altitude	: 1000 m.a.s.l.
Rated current	: 21.0-19.1 A	Protection degree	: IP21
L. R. Amperes	: 137-124 A	Cooling method	: IC01 - ODP
LRC	: 6.5x(Code G)	Mounting	: F-1
No load current	: 3.19-3.70 A	Rotation ¹	: Both (CW and CCW)
Rated speed	: 3455 rpm	Starting method	: Direct On Line
Slip	: 4.03 %	Approx. weight ³	: 22.1 kg
Rated torque	: 1.05 kgfm		
Locked rotor torque	: 220 %		
Breakdown torque	: 200 %		
Insulation class	: F		
Service factor	: 1.00		
Moment of inertia (J)	: 0.0030 kgm ²		

Output	50%	75%	100%	Foundation loads
Efficiency (%)	83.0	85.0	85.0	Max. traction
Power Factor	0.99	0.99	0.99	Max. compression

		<u>Drive end</u>	<u>Non drive end</u>
Bearing type	:	6205 ZZ	6203 ZZ
Sealing	:	Without Bearing Seal	Without Bearing Seal
Lubrication interval	:	-	-
Lubricant amount	:	-	-
Lubricant type	:	Mobil Polyrex EM	

Notes

This revision replaces and cancel the previous one, which must be eliminated.

- (1) Looking the motor from the shaft end.
- (2) Measured at 1m and with tolerance of +3dB(A).
- (3) Approximate weight subject to changes after manufacturing process.
- (4) At 100% of full load.

These are average values based on tests with sinusoidal power supply, subject to the tolerances stipulated in NEMA MG-1.

Rev.	Changes Summary	Performed	Checked	Date
Performed by		Page		Revision
Checked by		1 / 2		
Date	07/09/2024			

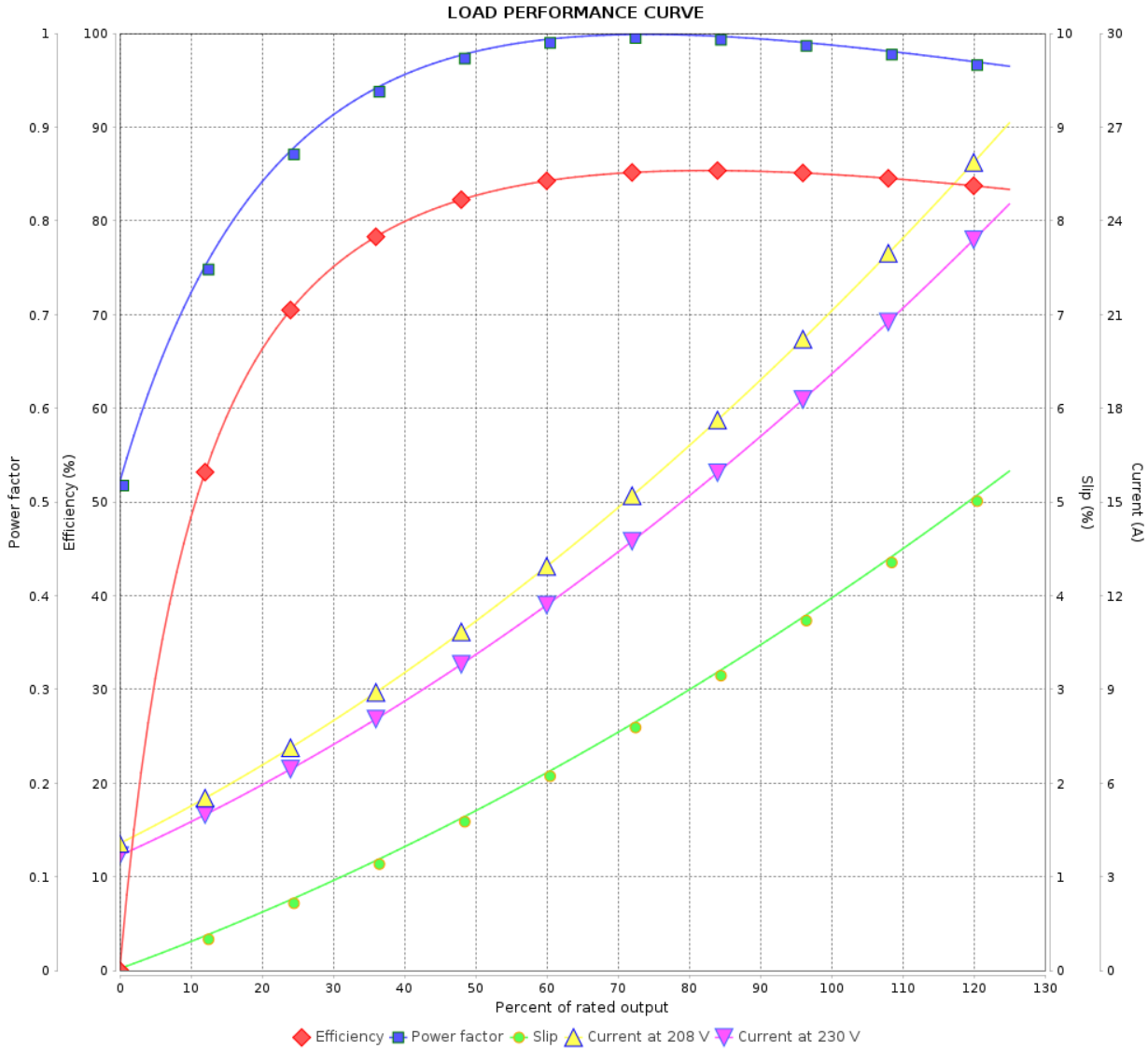
LOAD PERFORMANCE CURVE

Single Phase Induction Motor - Squirrel Cage



Customer : _____

Product line : Compressor Duty Single-Phase Product code : 15842173

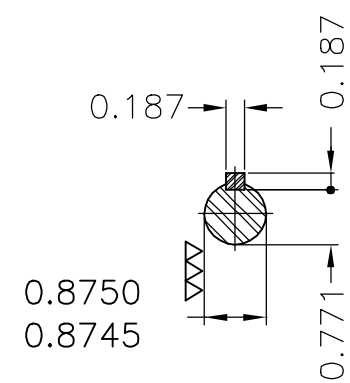
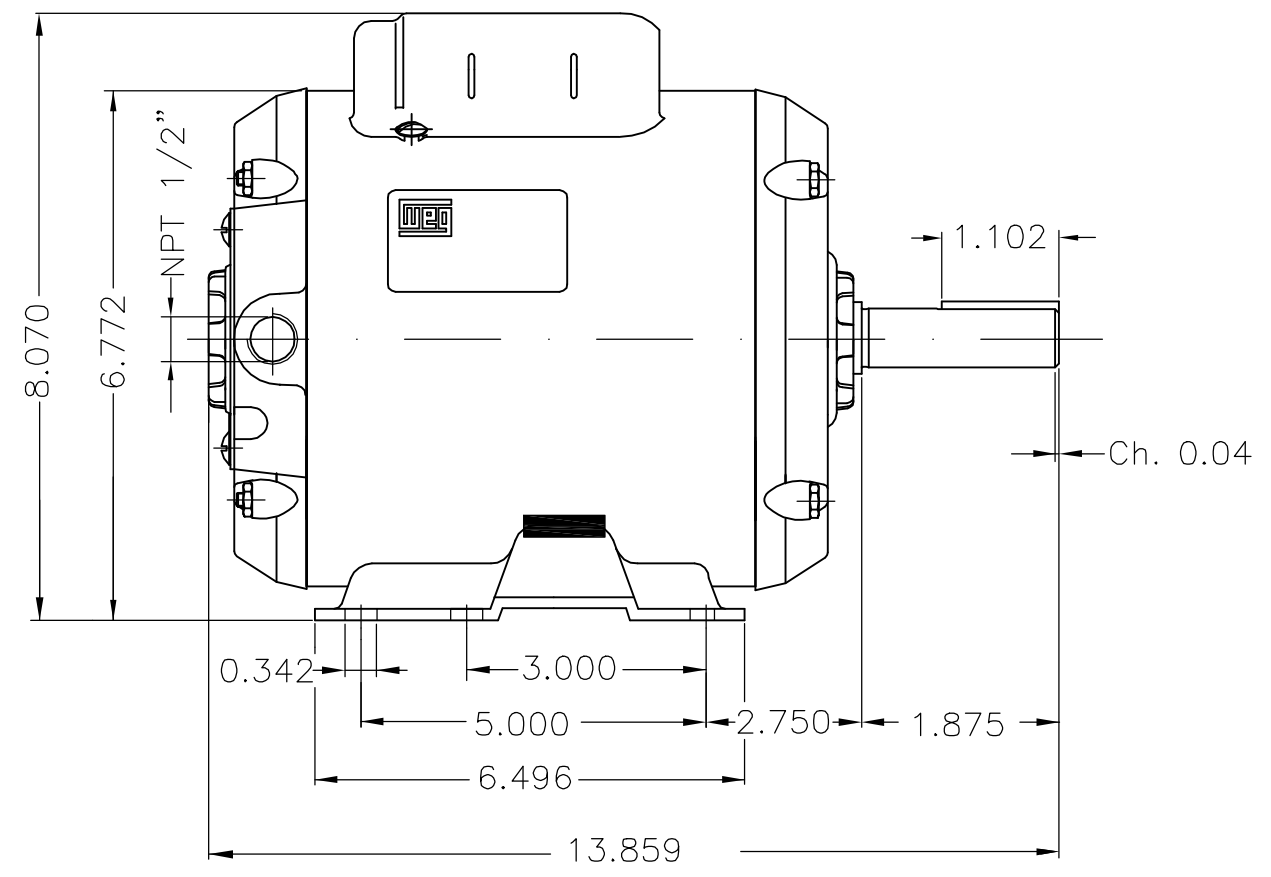
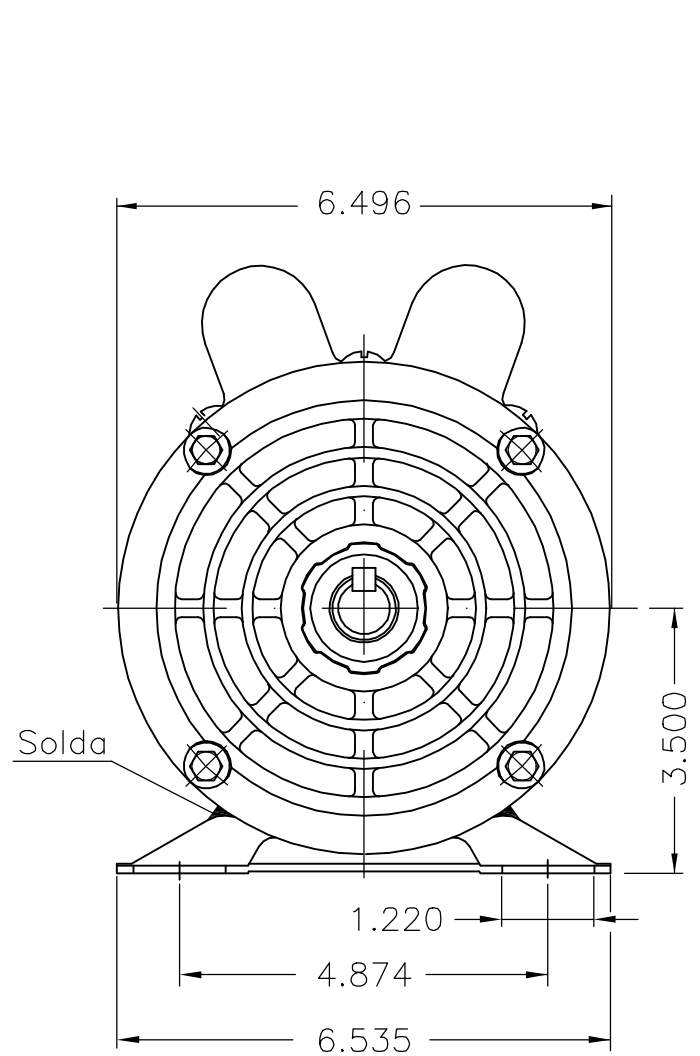


Performance : 208-230 V 60 Hz 2P

Rated current : 21.0-19.1 A
 LRC : 6.5
 Rated torque : 1.05 kgfm
 Locked rotor torque : 220 %
 Breakdown torque : 200 %
 Rated speed : 3455 rpm

Moment of inertia (J) : 0.0030 kgm²
 Duty cycle : Cont.(S1)
 Insulation class : F
 Service factor :
 Temperature rise : 105 K

Rev.	Changes Summary	Performed	Checked	Date
Performed by			Page 2 / 2	Revision
Checked by				
Date	07/09/2024			



Forma construtiva NEMA F-1

Forma construtiva B3D

V.J. PAMENSKY CANADA INC.

500002021757		Alterado conf. ZM 418247183	PAULOJC	DEYKSON	DEYKSON	09.11.2021	02
500001887467		Alterado conforme ZC 417656873	PAULOJC	MATA	MATA	09.02.2021	01
ECM	LOC	RESUMO MODIFICAÇÃO	EXECUTADO	VERIFICADO	LIBERADO	DATA	VER
EXECUTOR	DEISEM	MOTOR MONO. COMPRESSOR DUTY CARÇAÇA G56HZ IP21 ODP	10008285636				
VERIFICADOR	EMERSONRH		000	02			
LIBERADOR	AMANDAL						
DATA LB.	31.01.2021	WMO Jaragua do Sul	Engenharia de Produto	FOLHA	1 / 1		

5 HP 02 Polos 60 Hz

CÓPIA SEM CONTROLE

LIBERADO

ZME A3