

DATA SHEET



Three Phase Induction Motor - Squirrel Cage

Customer :

Product line : W22 NEMA Premium Efficiency Three-Phase Product code : 13500597

Frame	: 586/7TZ	Locked rotor time	: 54s (cold) 30s (hot)
Output	: 250 HP (185 kW)	Temperature rise	: 80 K
Frequency	: 60 Hz	Duty cycle	: Cont.(S1)
Rated voltage	: 460 V	Ambient temperature	: -20°C to +40°C
Poles	: 6	Altitude	: 1000 m.a.s.l.
Rated current	: 299 A	Protection degree	: IP55
	: 6.1x(Code G)	Cooling method	: IC411 - TEFC
Rated speed	: 1193 rpm	Mounting	: F-1
Rated torque	: 152 kgfm	Rotation ¹	: Both (CW and CCW)
Insulation class	: F	Noise level ²	: 77.0 dB(A)
Service factor	: 1.15	Starting method	: Direct On Line
Moment of inertia (J)	: 9.53 kgm ²	Approx. weight ³	: 1454 kg
Design	: A		

Output	25%	50%	75%	100%	Foundation loads	
Efficiency (%)	0.000	95.0	95.4	95.8	Max. traction	: 1667 kgf
Power Factor	0.00	0.68	0.77	0.81	Max. compression	: 3121 kgf

		<u>Drive end</u>	<u>Non drive end</u>
Bearing type	:	NU-324 C3	6319 C3
Sealing	:	Taconite Labyrinth	Taconite Labyrinth
Lubrication interval	:	6000 h	13000 h
Lubricant amount	:	72 g	45 g
Lubricant type	:	Mobil Polyrex EM	

Notes

This revision replaces and cancel the previous one, which must be eliminated.

- (1) Looking the motor from the shaft end.
- (2) Measured at 1m and with tolerance of +3dB(A).
- (3) Approximate weight subject to changes after manufacturing process.
- (4) At 100% of full load.

These are average values based on tests with sinusoidal power supply, subject to the tolerances stipulated in NEMA MG-1.

Rev.	Changes Summary	Performed	Checked	Date
Performed by		Page		Revision
Checked by		1 / 3		
Date	28/05/2026			

DATA SHEET

Three Phase Induction Motor - Squirrel Cage



Customer : _____

Thermal protection

ID	Application	Type	Quantity	Sensing Temperature
1	Winding	Thermostat - 2 wires	1 x Phase	155 °C

Space heater information

Voltage: 200 - 240 V

Rev.	Changes Summary	Performed	Checked	Date
Performed by				
Checked by			Page	Revision
Date	28/05/2026		2 / 3	

LOAD PERFORMANCE CURVE

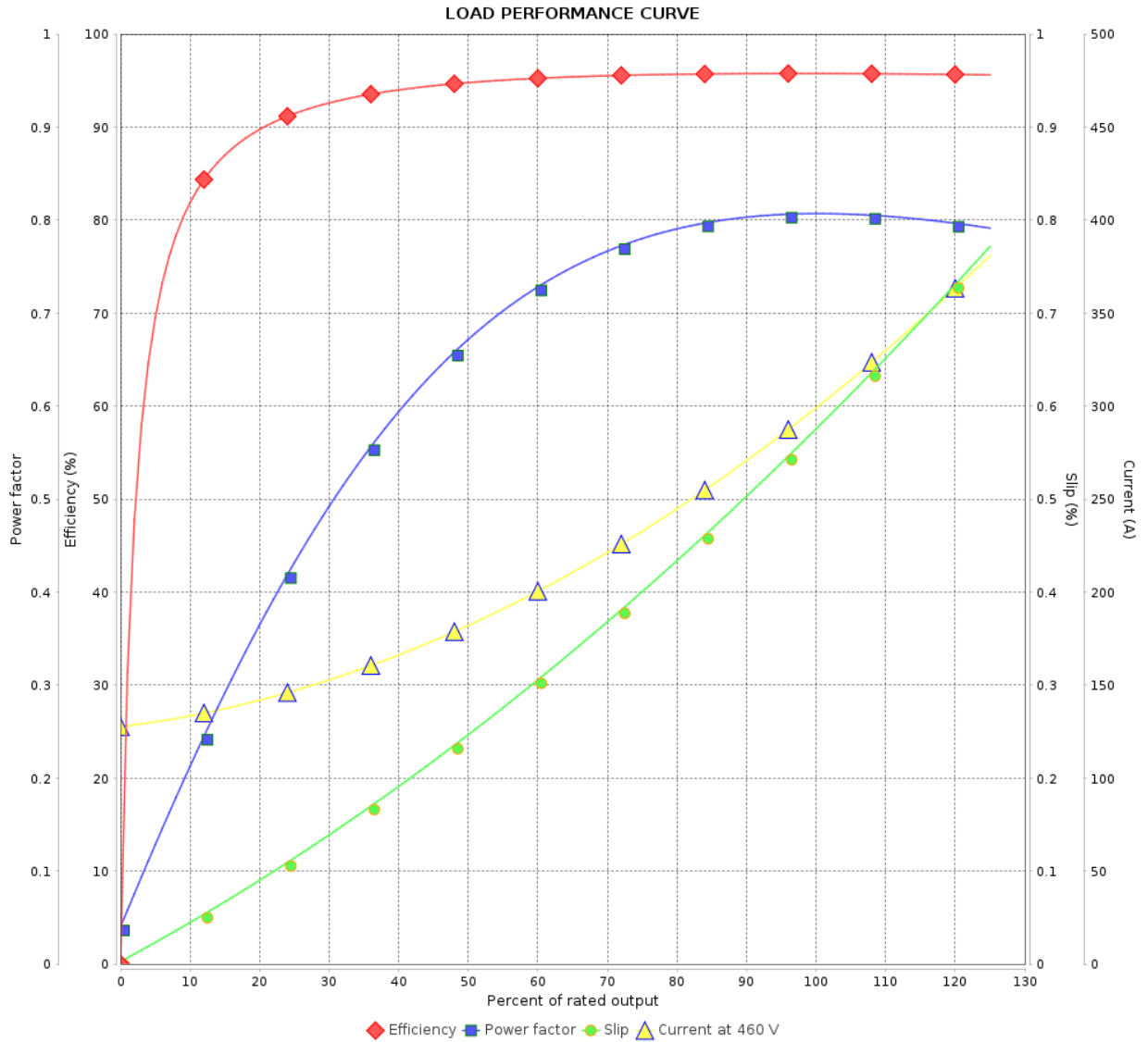
Three Phase Induction Motor - Squirrel Cage



Customer :

Product line : W22 NEMA Premium Efficiency Three-Phase

Product code : 13500597



Rev.	Changes Summary	Performed	Checked	Date
Performed by			Page 3 / 3	Revision
Checked by				
Date	28/05/2026			

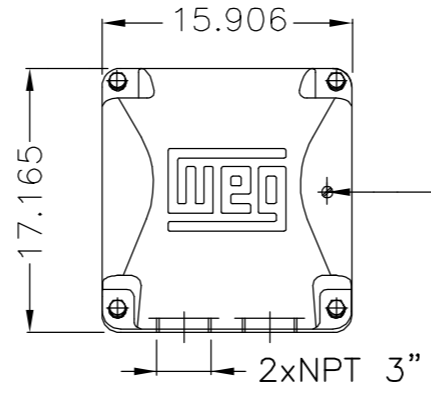
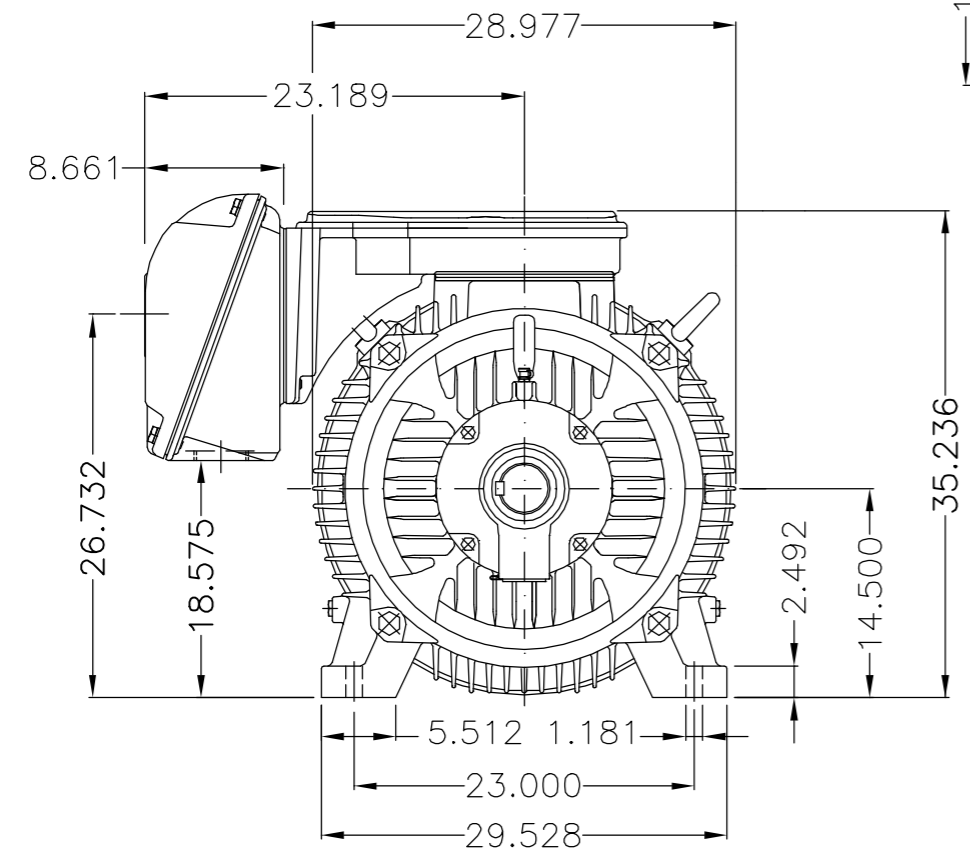
EIXO/SHAFT	
PADRÃO/STANDARD	
OPCIONAL/OPTIONAL	
ESPECIAL/SPECIAL	X

Dimensões em polegada
Dimensions in inches

CERTIFIED WEG MOTORES
Certified document.
Not subject to changes.

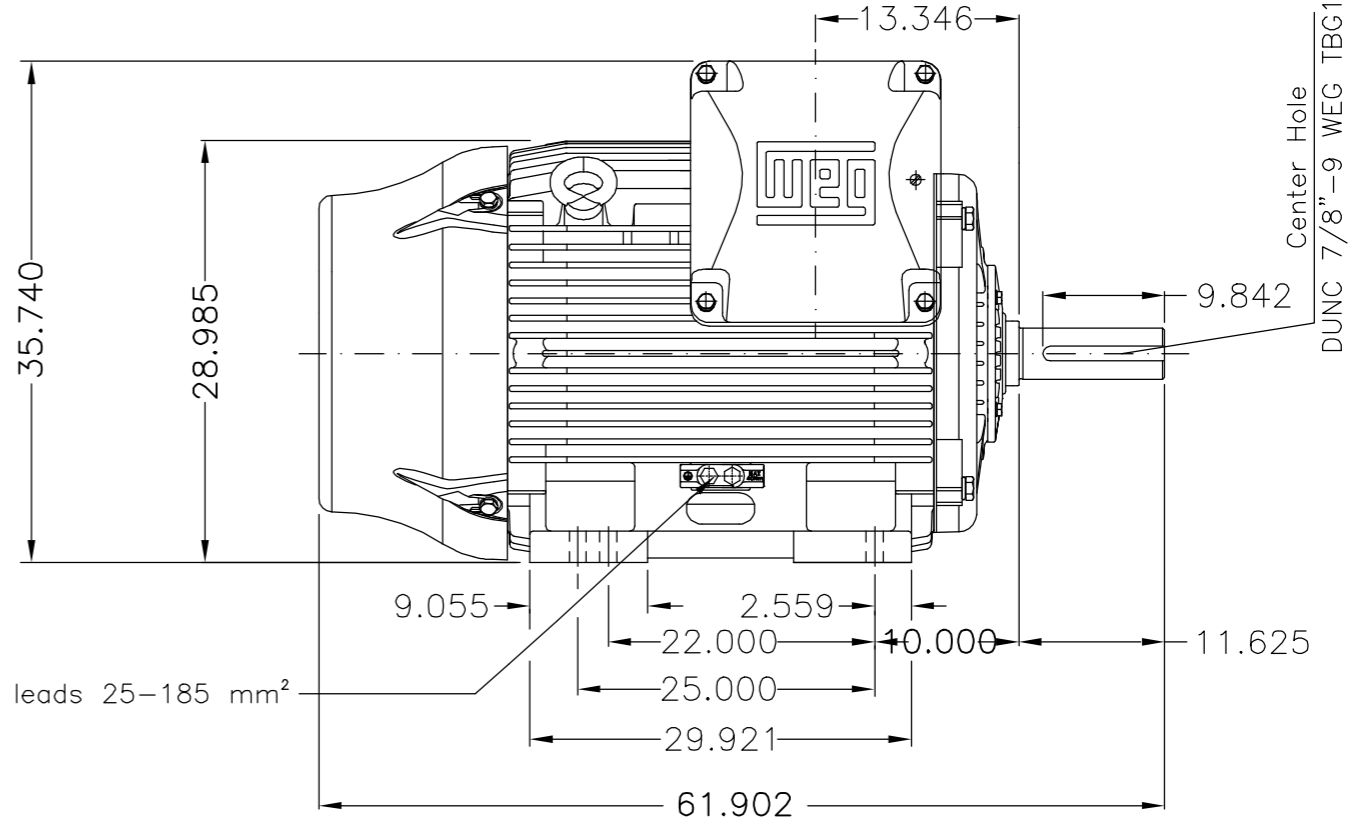
THIS IS AN UPDATED REVISION, THE PREVIOUS ONE MUST BE DISREGARDED.

A
B
C
D
E

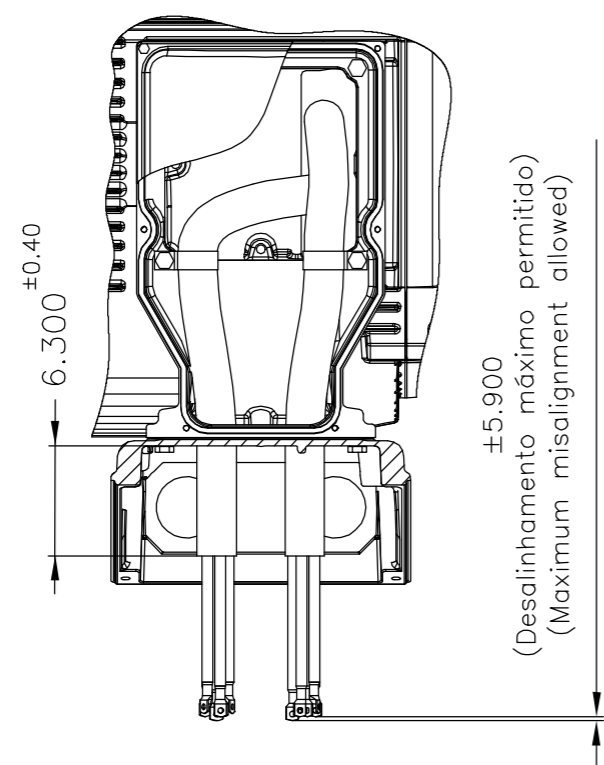


Main terminal box

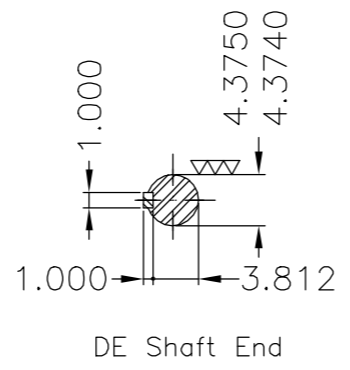
Grounding for leads 35-120 mm²



Grounding for leads 25-185 mm²



(Desalinhamento máximo permitido)
(Maximum misalignment allowed)



DE Shaft End

- Categoria A / Design A
- Proteção térmica desligamento - termostato 155°C / Thermostats 155°C to trip
- Tampa dianteira especial / Special DE endshield
- Conduite para cabos no interior do suporte da caixa de ligação
Cables conduit inside terminal box support
- Linha do motor: Crusher Duty / Motor purpose: Crusher Duty
- Rolamento dianteiro de rolos NU-324 / NU-324 DE roller bearing
- Dispositivo de travamento de eixo / Shaft locking device
- Tampa traseira com mancal eletricamente isolado
NDE endshield with electrically insulated bearing hub
- Cor RAL 5009 / Color RAL 5009
- Plano de pintura 203A / Painting plan 203A
- Forma construtiva NEMA F-1 / Mounting NEMA F-1
- Forma construtiva B3D / Mounting B3R(D)

WEG ELECTRIC CORPORATION - WEC

500001323616		ALTERADO CONFORME CDP 414658625	MENSOR		JMANENTE	20.06.2017	03
500001317820		ALTERADO CONFORME CLAIM 414658625	AKLOSOWSKI		JMANENTE	01.06.2017	02
ECM	LOC	SUMMARY OF MODIFICATIONS	EXECUTED	CHECKED	RELEASED	DATE	VER
EXECUTED	DVEGINI	THREE PHASE W22 MOTOR - NEMA PREMIUM EFF FRAME 586/7TZ IP55			10004037876		
CHECKED					000	03	
RELEASED	NSCHMIDT						
REL DT	22.01.2016		WMO	Jaraguá do Sul	Product Engineering	SHEET	

250 HP 06 Poles 60Hz 414149566/0 MEC

A

UNCONTROLLED COPY

RELEASED

ZME A3