

# DATA SHEET



## Three Phase Induction Motor - Squirrel Cage

Customer :						
Product line : W22 NEMA Premium Efficiency Three-Phase		Product code : 13503287				
Frame : 586/7TZ Output : 250 HP (185 kW) Poles : 6 Frequency : 60 Hz Rated voltage : 575 V Rated current : 242 A L. R. Amperes : 1476 A LRC : 6.1x(Code G) No load current : 105 A Rated speed : 1193 rpm Slip : 0.58 % Rated torque : 152 kgfm Locked rotor torque : 210 % Breakdown torque : 229 % Insulation class : F Service factor : 1.15 Moment of inertia (J) : 9.53 kgm <sup>2</sup> Design : A	Locked rotor time : 54s (cold) 30s (hot) Temperature rise : 80 K Duty cycle : Cont.(S1) Ambient temperature : -20°C to +40°C Altitude : 1000 m.a.s.l. Protection degree : IP55 Cooling method : IC411 - TEFC Mounting : F-1 Rotation <sup>1</sup> : Both (CW and CCW) Noise level <sup>2</sup> : 77.0 dB(A) Starting method : Direct On Line Approx. weight <sup>3</sup> : 1454 kg					
Output	25%	50%	75%	100%	Foundation loads	
Efficiency (%)	0.000	95.0	95.4	95.8	Max. traction : 1667 kgf	
Power Factor	0.00	0.67	0.76	0.80	Max. compression : 3121 kgf	
		<u>Drive end</u>			<u>Non drive end</u>	
Bearing type	:	NU-324 C3			6319 C3	
Sealing	:	Taconite Labyrinth			Taconite Labyrinth	
Lubrication interval	:	6000 h			13000 h	
Lubricant amount	:	72 g			45 g	
Lubricant type	:	Mobil Polyrex EM				
Notes						
This revision replaces and cancel the previous one, which must be eliminated. (1) Looking the motor from the shaft end. (2) Measured at 1m and with tolerance of +3dB(A). (3) Approximate weight subject to changes after manufacturing process. (4) At 100% of full load.			These are average values based on tests with sinusoidal power supply, subject to the tolerances stipulated in NEMA MG-1.			
Rev.	Changes Summary			Performed	Checked	Date
Performed by						
Checked by					Page	Revision
Date	23/10/2023				1 / 3	

# DATA SHEET

## Three Phase Induction Motor - Squirrel Cage



Customer : \_\_\_\_\_

### Thermal protection

ID	Application	Type	Quantity	Sensing Temperature
1	Winding	Thermostat - 2 wires	1 x Phase	155 °C

### Space heater information

Voltage: 200 - 240 V

Rev.	Changes Summary	Performed	Checked	Date
Performed by				
Checked by			Page	Revision
Date	23/10/2023		2 / 3	

# LOAD PERFORMANCE CURVE

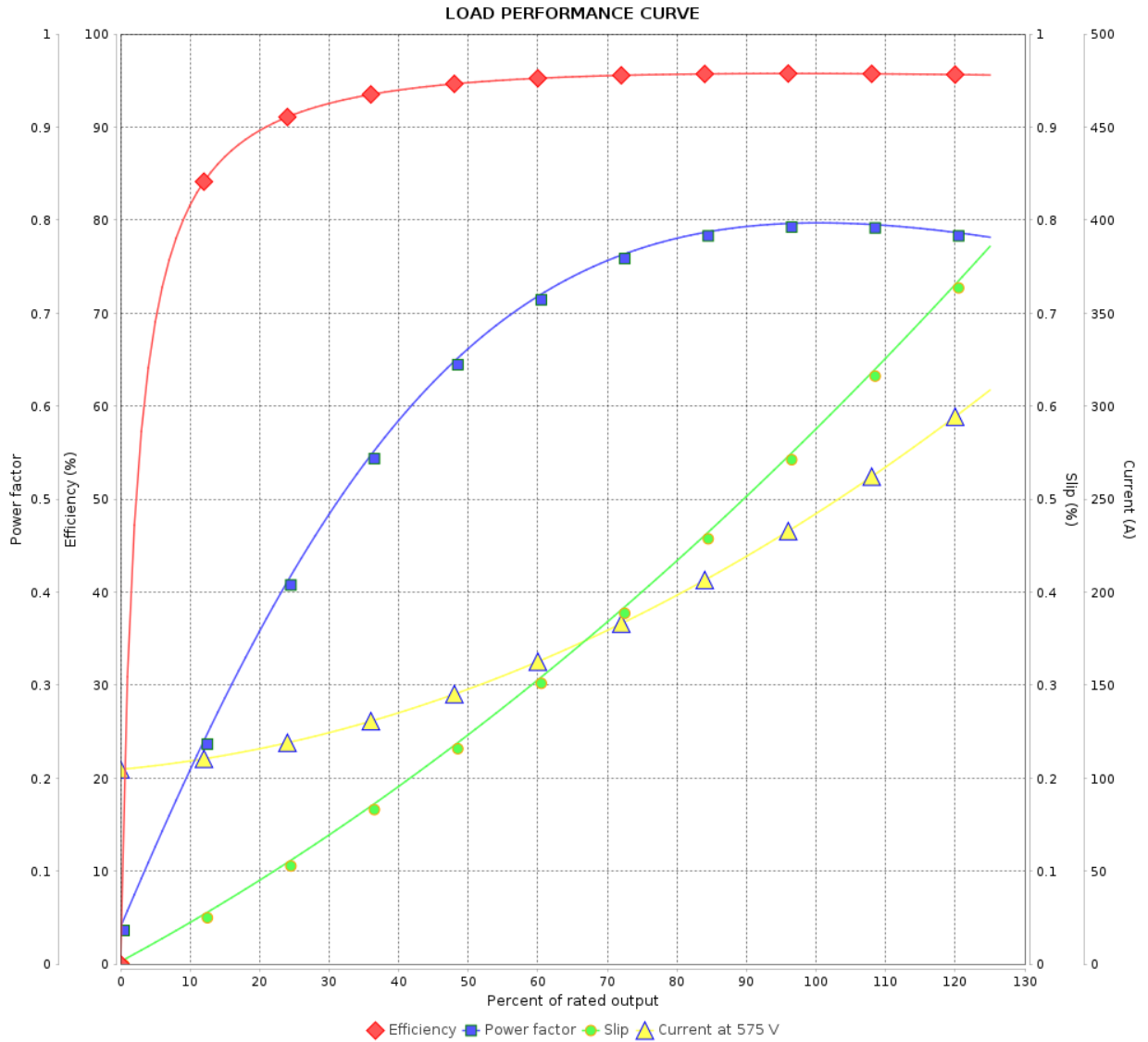
## Three Phase Induction Motor - Squirrel Cage



Customer : \_\_\_\_\_

Product line : W22 NEMA Premium Efficiency Three-Phase

Product code : 13503287



Performance : 575 V 60 Hz 6P

Rated current : 242 A  
 LRC : 6.1  
 Rated torque : 152 kgfm  
 Locked rotor torque : 210 %  
 Breakdown torque : 229 %  
 Rated speed : 1193 rpm

Moment of inertia (J) : 9.53 kgm<sup>2</sup>  
 Duty cycle : Cont.(S1)  
 Insulation class : F  
 Service factor : 1.15  
 Temperature rise : 80 K  
 Design : A

Rev.	Changes Summary	Performed	Checked	Date
Performed by			Page	Revision
Checked by				
Date				

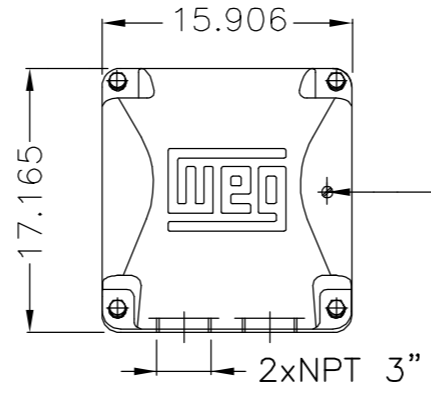
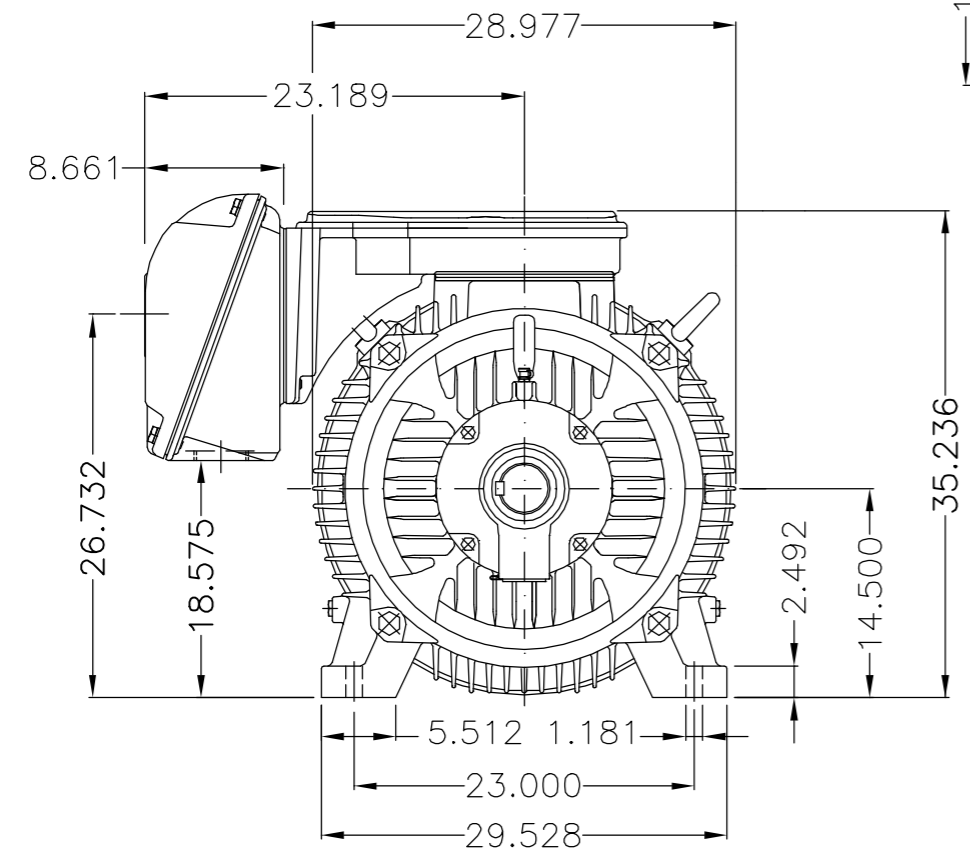
EIXO/SHAFT	
PADRÃO/STANDARD	
OPCIONAL/OPTIONAL	
ESPECIAL/SPECIAL	X

Dimensões em polegada  
Dimensions in inches

**CERTIFIED WEG MOTORES**  
Certified document.  
Not subject to changes.

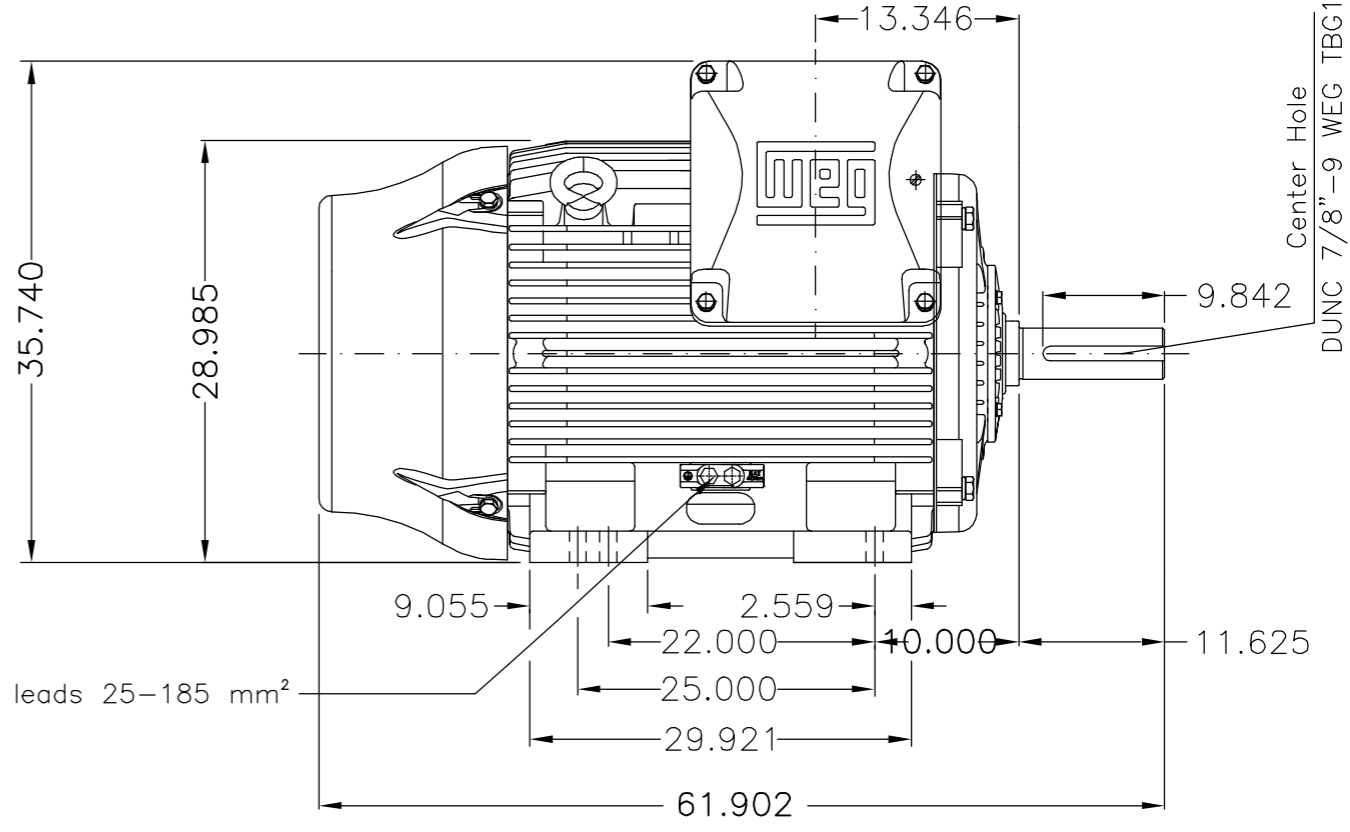
THIS IS AN UPDATED REVISION, THE PREVIOUS ONE MUST BE DISREGARDED.

A  
B  
C  
D  
E

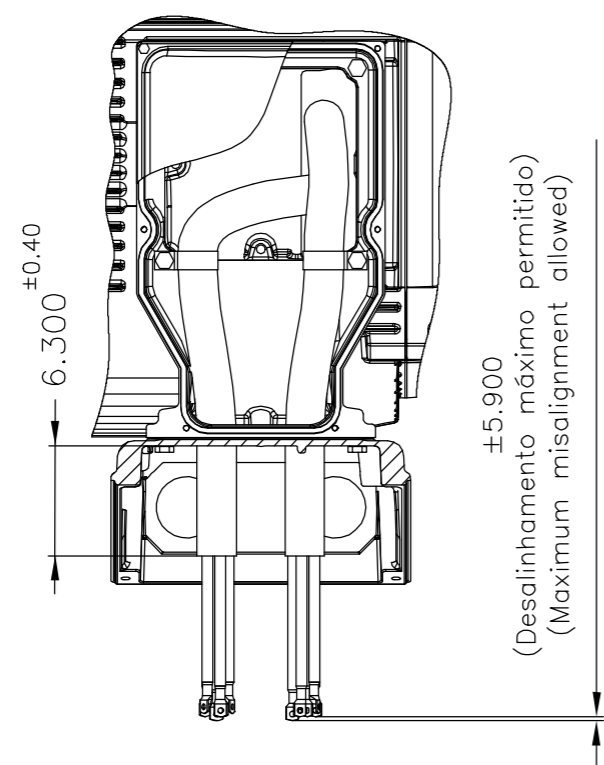


Main terminal box

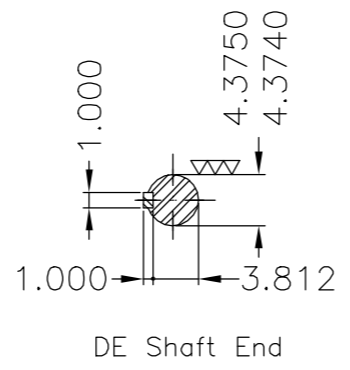
Grounding for leads 35-120 mm<sup>2</sup>



Grounding for leads 25-185 mm<sup>2</sup>



(Desalinhamento máximo permitido)  
(Maximum misalignment allowed)



DE Shaft End

- Categoria A / Design A
- Proteção térmica desligamento - termostato 155°C / Thermostats 155°C to trip
- Tampa dianteira especial / Special DE endshield
- Conduite para cabos no interior do suporte da caixa de ligação  
Cables conduit inside terminal box support
- Linha do motor: Crusher Duty / Motor purpose: Crusher Duty
- Rolamento dianteiro de rolos NU-324 / NU-324 DE roller bearing
- Dispositivo de travamento de eixo / Shaft locking device
- Tampa traseira com mancal eletricamente isolado  
NDE endshield with electrically insulated bearing hub
- Cor RAL 5009 / Color RAL 5009
- Plano de pintura 203A / Painting plan 203A
- Forma construtiva NEMA F-1 / Mounting NEMA F-1
- Forma construtiva B3D / Mounting B3R(D)

**WEG ELECTRIC CORPORATION - WEC**

500001323616		ALTERADO CONFORME CDP 414658625	MENSOR	JMANENTE	20.06.2017	03
500001317820		ALTERADO CONFORME CLAIM 414658625	AKLOSOWSKI	JMANENTE	01.06.2017	02
ECM	LOC	SUMMARY OF MODIFICATIONS	EXECUTED	CHECKED	RELEASED	DATE VER
EXECUTED	DVEGINI	THREE PHASE W22 MOTOR - NEMA PREMIUM EFF FRAME 586/7TZ IP55	10004037876			
CHECKED						
RELEASED	NSCHMIDT					
REL DT	22.01.2016					
		WMO	Jaraguá do Sul	Product Engineering	SHEET 1 / 1	

250 HP 06 Poles 60Hz 414149566/0 MEC

A

UNCONTROLLED COPY  
RELEASED  
ZME A3

