

DATA SHEET

Three Phase Induction Motor - Squirrel Cage



Customer : _____

Thermal protection

ID	Application	Type	Quantity	Sensing Temperature
1	Winding	Thermostat - 2 wires	1 x Phase	155 °C

Space heater information

Voltage: 200 - 240 V

Rev.	Changes Summary	Performed	Checked	Date
Performed by				
Checked by			Page	Revision
Date	23/10/2023		2 / 3	

LOAD PERFORMANCE CURVE

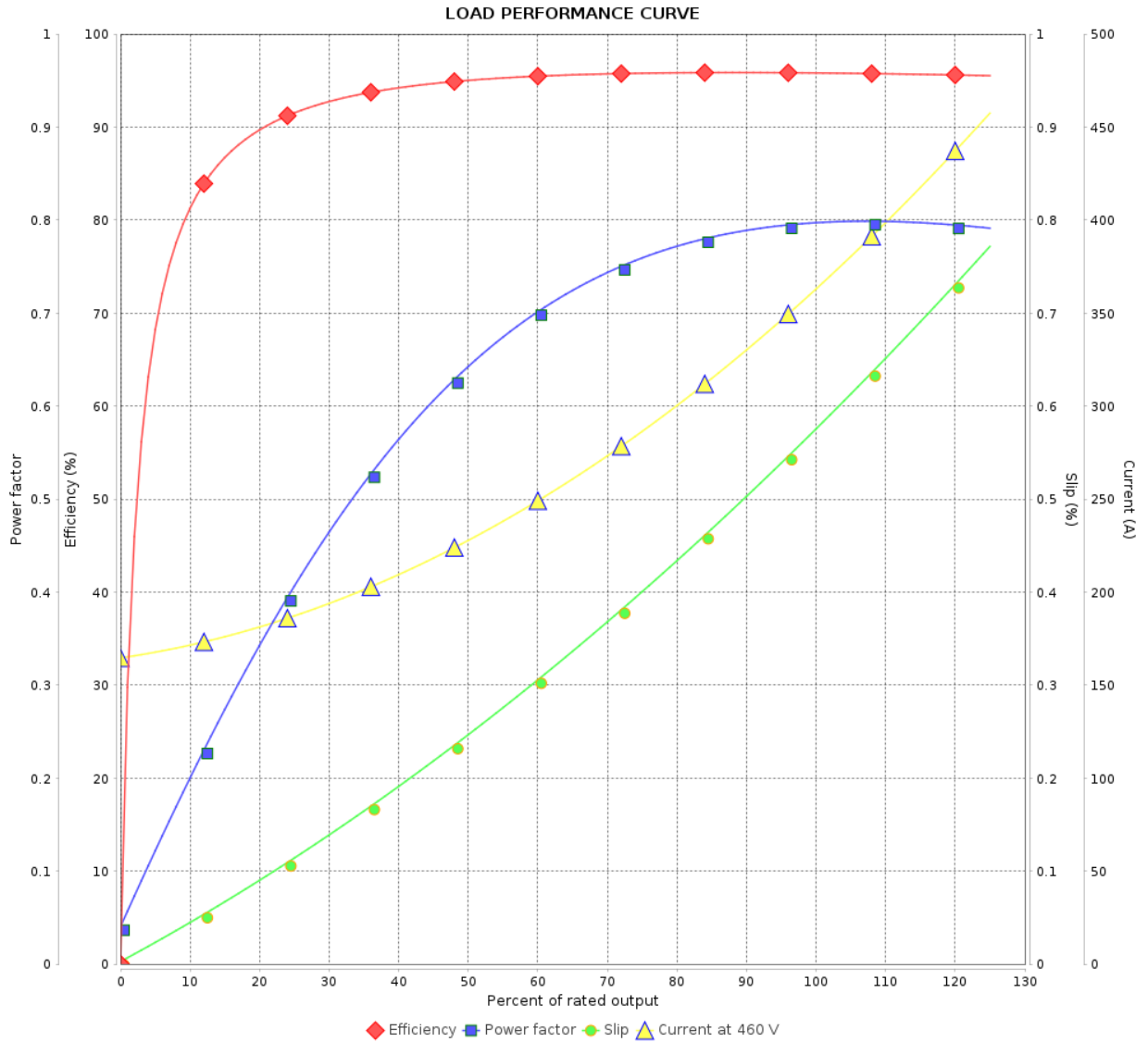
Three Phase Induction Motor - Squirrel Cage



Customer : _____

Product line : W22 NEMA Premium Efficiency Three-Phase

Product code : 13500624



Performance : 460 V 60 Hz 6P

Rated current : 360 A
 LRC : 5.9
 Rated torque : 182 kgfm
 Locked rotor torque : 220 %
 Breakdown torque : 250 %
 Rated speed : 1193 rpm

Moment of inertia (J) : 11.7 kgm²
 Duty cycle : Cont.(S1)
 Insulation class : F
 Service factor : 1.15
 Temperature rise : 80 K
 Design : A

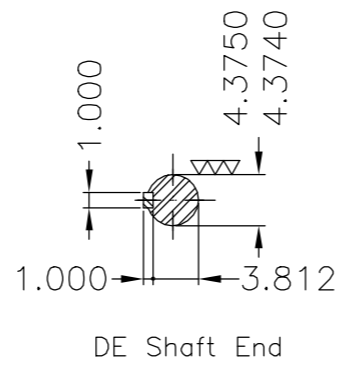
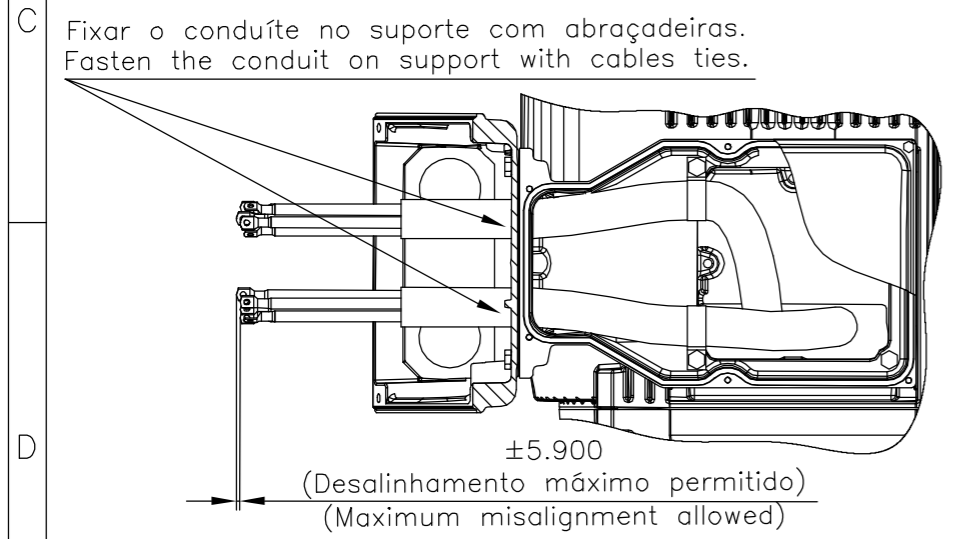
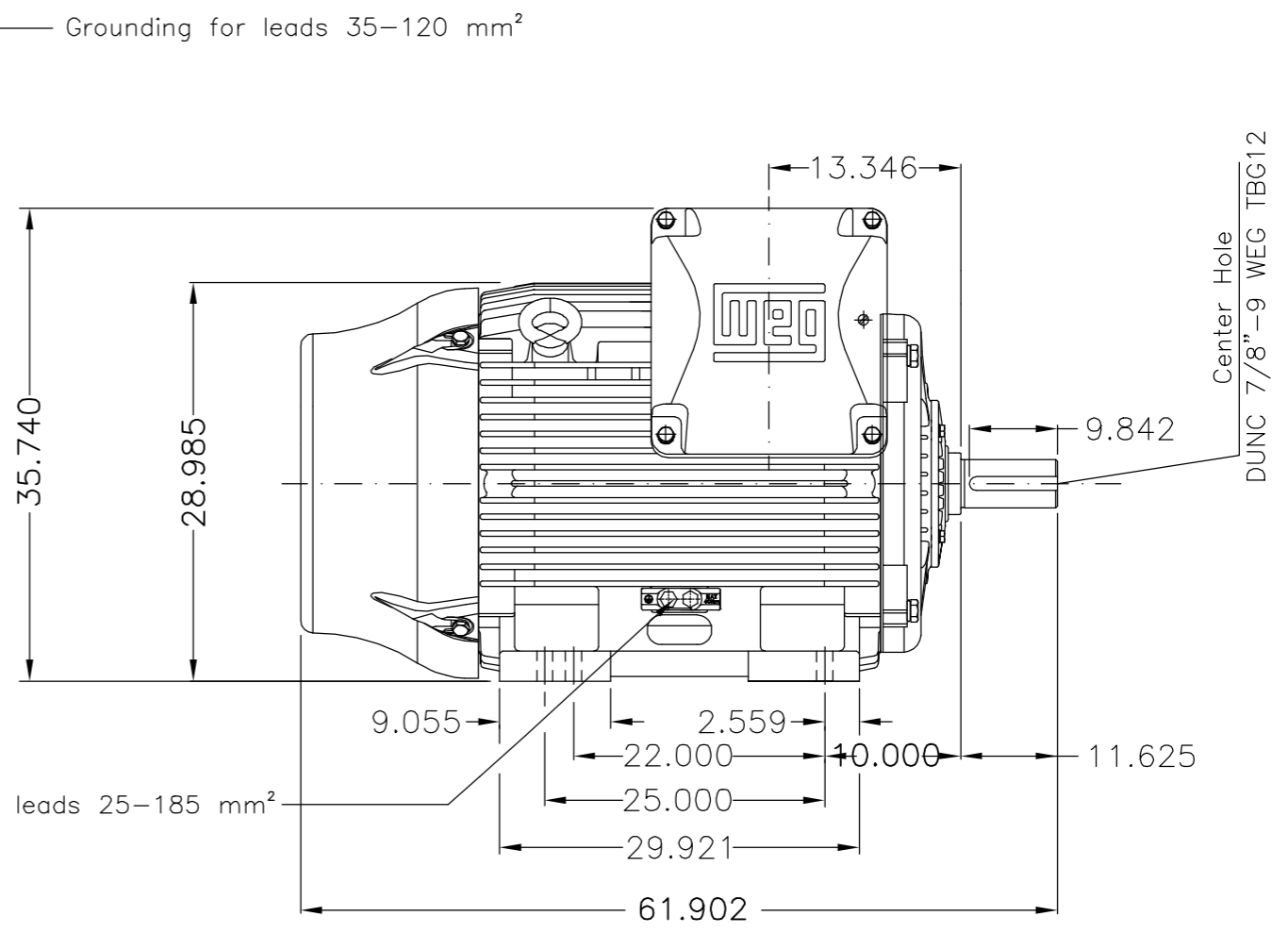
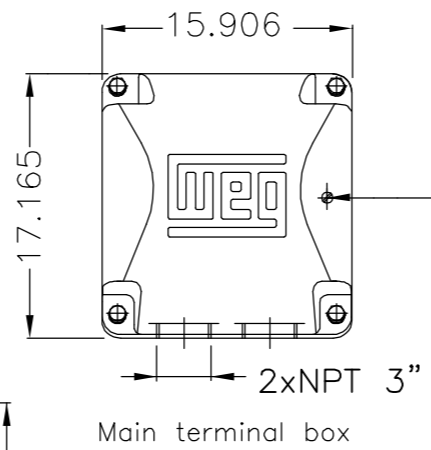
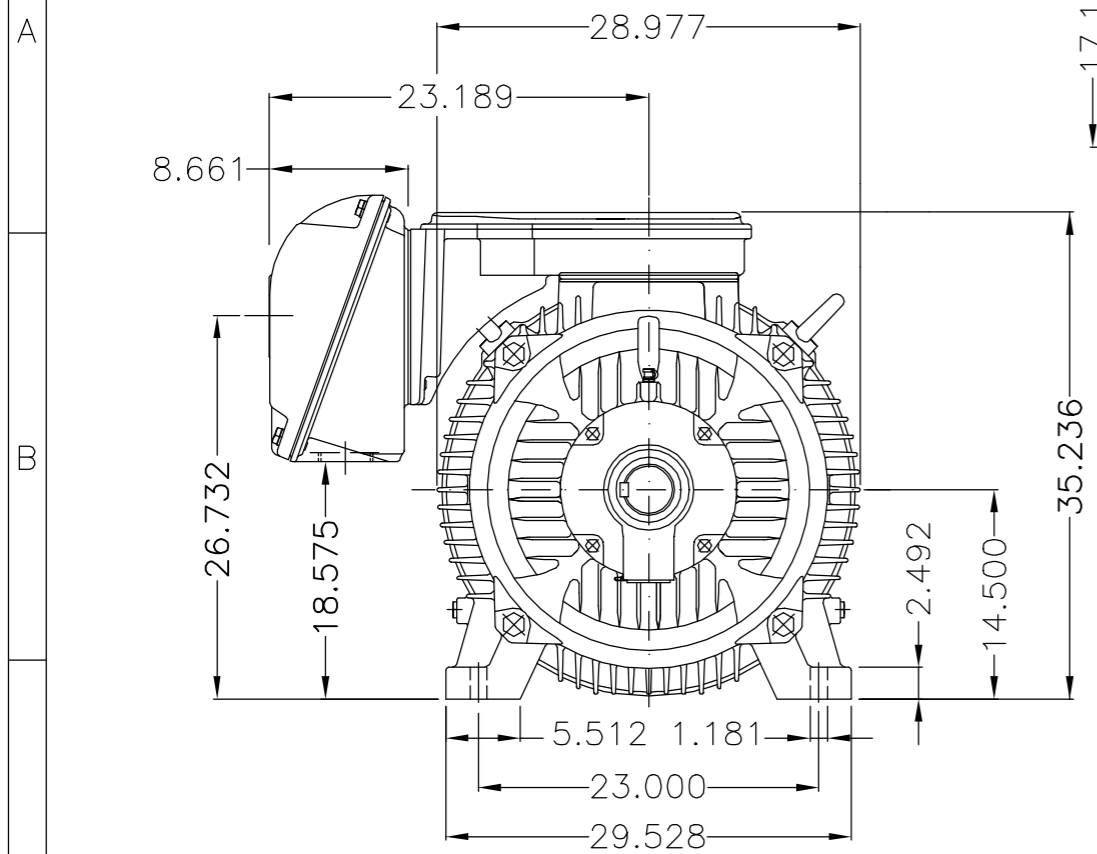
Rev.	Changes Summary	Performed	Checked	Date
Performed by			Page	Revision
Checked by				
Date				

EIXO/SHAFT	
PADRÃO/STANDARD	
OPCIONAL/OPTIONAL	
ESPECIAL/SPECIAL	X

Dimensões em polegada
Dimensions in inches

CERTIFIED WEG MOTORES
Certified document.
Not subject to changes.

THIS IS AN UPDATED REVISION, THE PREVIOUS ONE MUST BE DISREGARDED.



Rolamento dianteiro de rolos / DE roller bearing
Proteção térmica para desligamento - termostato 155°C
Thermal protection to switch off - thermostat 155°C
Dispositivo de travamento de eixo / Shaft locking device
Linha do motor: Crusher Duty / Motor purpose: Crusher Duty
Tampa dianteira especial / Special DE endshield
Rolamento dianteiro de rolos NU-324 / NU-324 DE roller bearing
Tampa traseira com mancal eletricamente isolado
NDE endshield with electrically insulated bearing hub
Cor RAL 5009 / Color RAL 5009
Plano de pintura 203A / Painting plan 203A
Forma construtiva NEMA F-1 / Mounting NEMA F-1
Forma construtiva B3D / Mounting B3R(D)

500 HP	04 Poles	60Hz	J
500 HP	06 Poles	60Hz	I
450 HP	04 Poles	60Hz	H
450 HP	06 Poles	60Hz	G
400 HP	04 Poles	60Hz	F
400 HP	06 Poles	60Hz	E
350 HP	04 Poles	60Hz	D
350 HP	06 Poles	60Hz	C
300 HP	04 Poles	60Hz	B
300 HP	06 Poles	60Hz	A

WEG ELECTRIC CORPORATION - WEC

500001929025	RETIRADO NOTA - SOL PLACAS	FRANCINES	JACKSONHM	JACKSONHM	30.04.2021	06	
500001331189	ADIC.NOTA CONDUITE/ADD NOTE CONDUIT	MENSOR	EANJOS	EANJOS	05.07.2017	05	
ECM	LOC	EXECUTED	CHECKED	RELEASED	DATE	VER	
EXECUTED	DVEGINI	THREE PHASE W22 MOTOR - NEMA PREMIUM EFF				10004040391	
CHECKED	NSCHMDT	FRAME 586/7TZ IP55				000 06	
RELEASED	NSCHMDT						
REL DT	25.01.2016	WMO	Jaragua do Sul	Product Engineering	SHEET	1 / 1	

