

# DATA SHEET



## Three Phase Induction Motor - Squirrel Cage

Customer :

Product line : W22 NEMA Premium Efficiency Three-Phase      Product code : 13500648

Frame	: 586/7TZ	Locked rotor time	: 34s (cold) 19s (hot)
Output	: 300 HP (220 kW)	Temperature rise	: 80 K
Poles	: 4	Duty cycle	: Cont.(S1)
Frequency	: 60 Hz	Ambient temperature	: -20°C to +40°C
Rated voltage	: 460 V	Altitude	: 1000 m.a.s.l.
Rated current	: 350 A	Protection degree	: IP55
L. R. Amperes	: 2520 A	Cooling method	: IC411 - TEFC
LRC	: 7.2x(Code H)	Mounting	: F-1
No load current	: 130 A	Rotation <sup>1</sup>	: Both (CW and CCW)
Rated speed	: 1791 rpm	Noise level <sup>2</sup>	: 81.0 dB(A)
Slip	: 0.50 %	Starting method	: Direct On Line
Rated torque	: 122 kgfm	Approx. weight <sup>3</sup>	: 1397 kg
Locked rotor torque	: 229 %		
Breakdown torque	: 260 %		
Insulation class	: F		
Service factor	: 1.15		
Moment of inertia (J)	: 6.80 kgm <sup>2</sup>		
Design	: A		

Output	25%	50%	75%	100%	Foundation loads	
Efficiency (%)	0.000	95.4	95.8	96.2	Max. traction	: 1465 kgf
Power Factor	0.00	0.70	0.80	0.82	Max. compression	: 2862 kgf

Losses at normative operating points (speed;torque), in percentage of rated output power

P1 (0,9;1,0)	P2 (0,5;1,0)	P3 (0,25;1,0)	P4 (0,9;0,5)	P5 (0,5;0,5)	P6 (0,5;0,25)	P7 (0,25;0,25)
4.1	2.9	2.3	2.6	1.6	1.2	0.7

	<u>Drive end</u>	<u>Non drive end</u>
Bearing type	: NU-324 C3	: 6319 C3
Sealing	: Taconite Labyrinth	: Taconite Labyrinth
Lubrication interval	: 3000 h	: 8000 h
Lubricant amount	: 72 g	: 45 g
Lubricant type	: Mobil Polyrex EM	

### Notes

This revision replaces and cancel the previous one, which must be eliminated.

- (1) Looking the motor from the shaft end.
- (2) Measured at 1m and with tolerance of +3dB(A).
- (3) Approximate weight subject to changes after manufacturing process.
- (4) At 100% of full load.

These are average values based on tests with sinusoidal power supply, subject to the tolerances stipulated in NEMA MG-1.

Rev.	Changes Summary	Performed	Checked	Date
Performed by				
Checked by			Page	Revision
Date	23/10/2023		1 / 3	

# DATA SHEET

## Three Phase Induction Motor - Squirrel Cage



Customer : \_\_\_\_\_

### Thermal protection

ID	Application	Type	Quantity	Sensing Temperature
1	Winding	Thermostat - 2 wires	1 x Phase	155 °C

### Space heater information

Voltage: 200 - 240 V

Rev.	Changes Summary	Performed	Checked	Date
Performed by				
Checked by			Page	Revision
Date	23/10/2023		2 / 3	

# LOAD PERFORMANCE CURVE

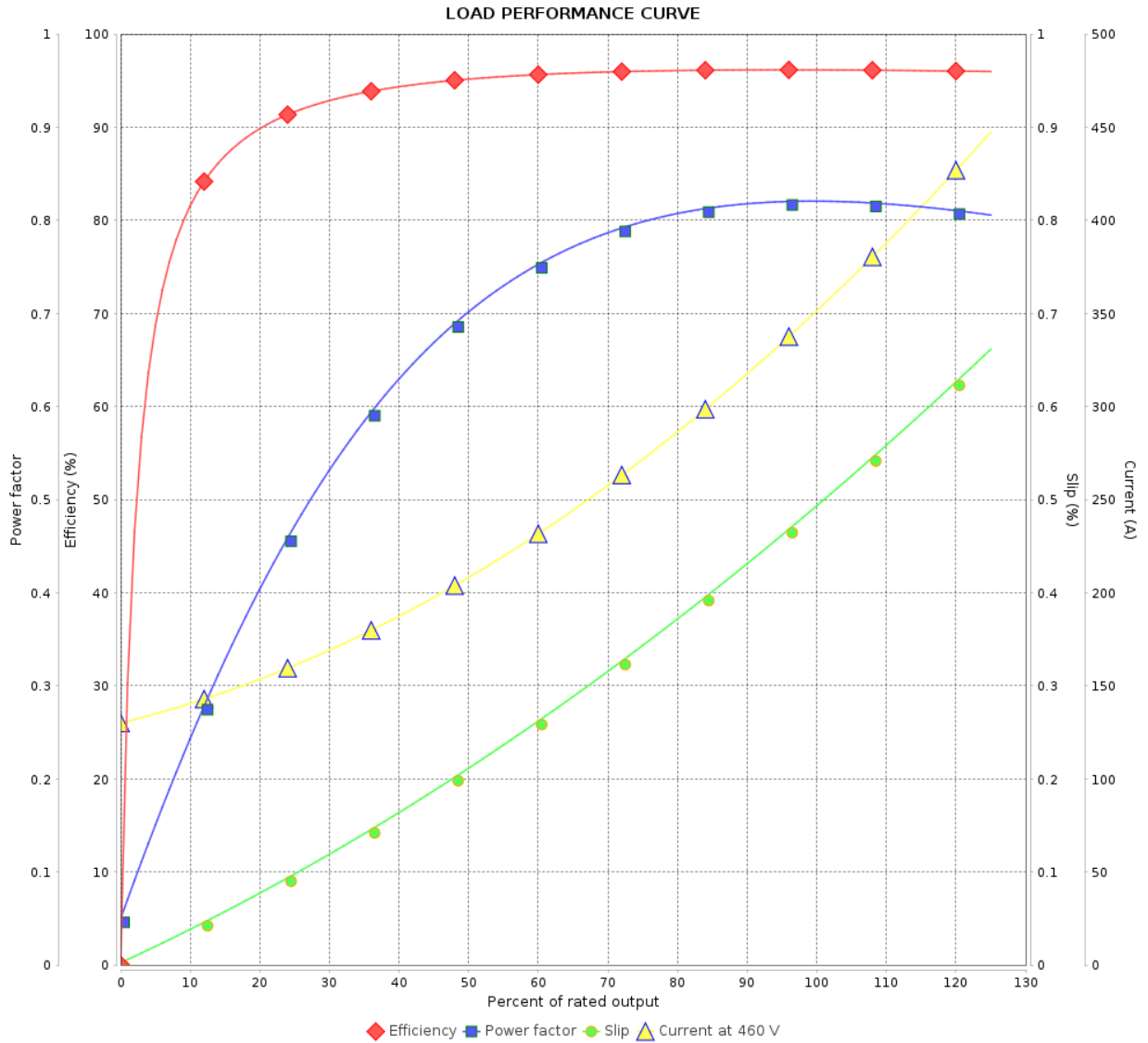
Three Phase Induction Motor - Squirrel Cage



Customer : \_\_\_\_\_

Product line : W22 NEMA Premium Efficiency Three-Phase

Product code : 13500648



Performance : 460 V 60 Hz 4P

Rated current : 350 A  
 LRC : 7.2  
 Rated torque : 122 kgfm  
 Locked rotor torque : 229 %  
 Breakdown torque : 260 %  
 Rated speed : 1791 rpm

Moment of inertia (J) : 6.80 kgm<sup>2</sup>  
 Duty cycle : Cont.(S1)  
 Insulation class : F  
 Service factor : 1.15  
 Temperature rise : 80 K  
 Design : A

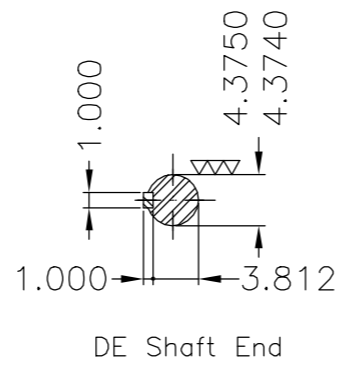
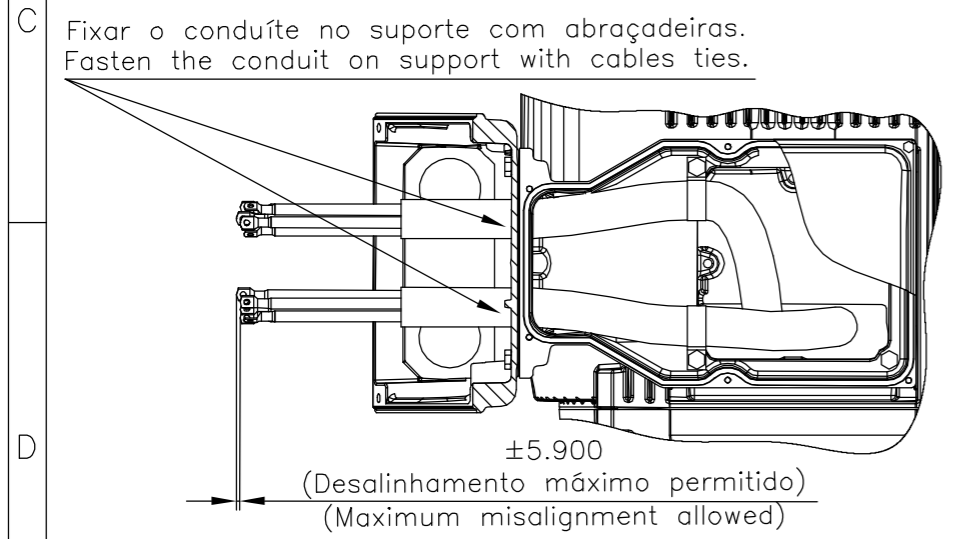
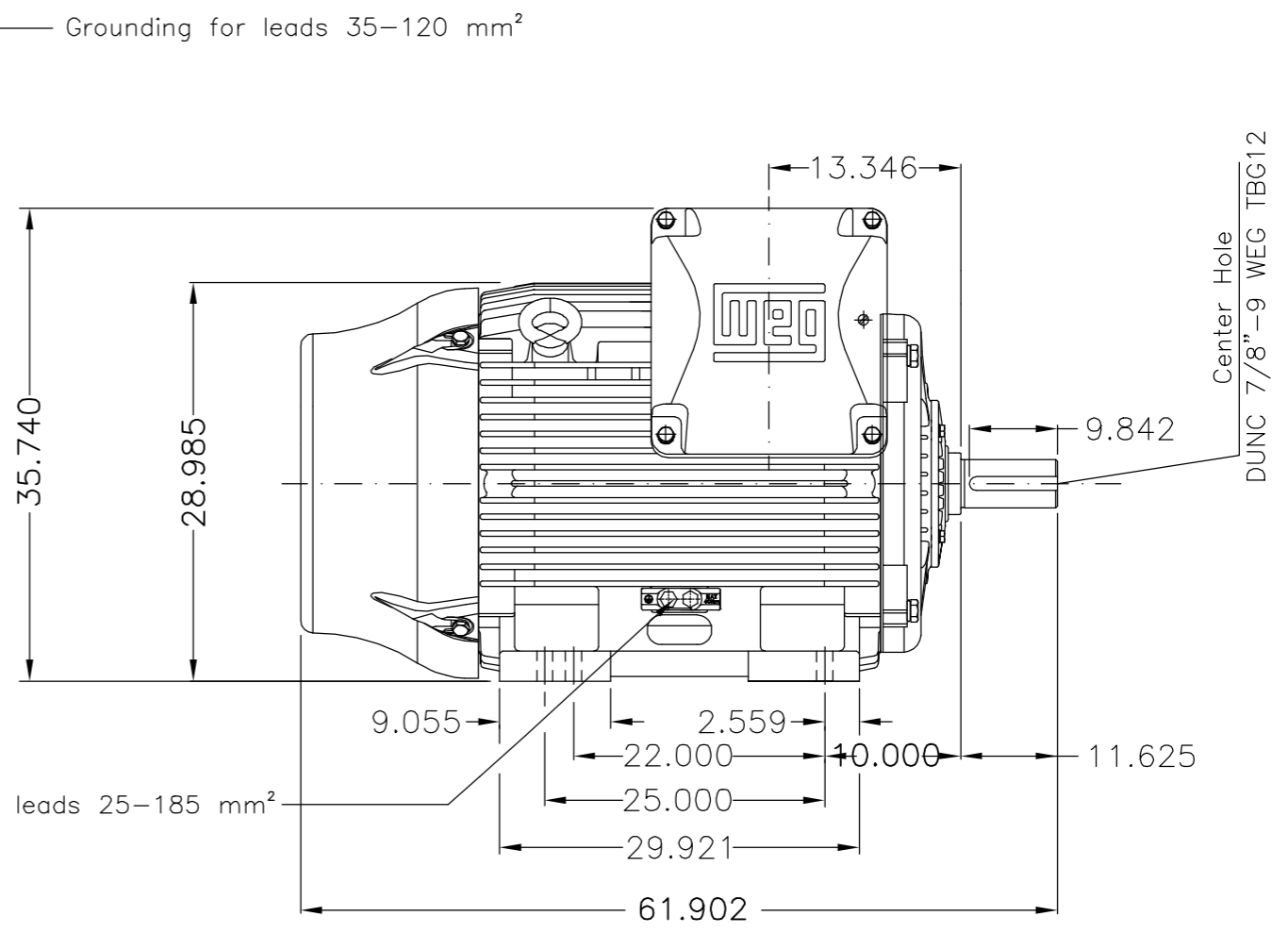
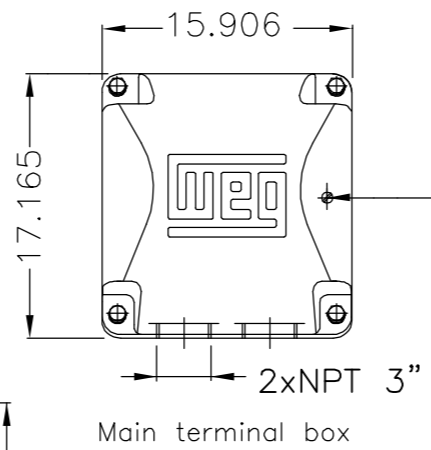
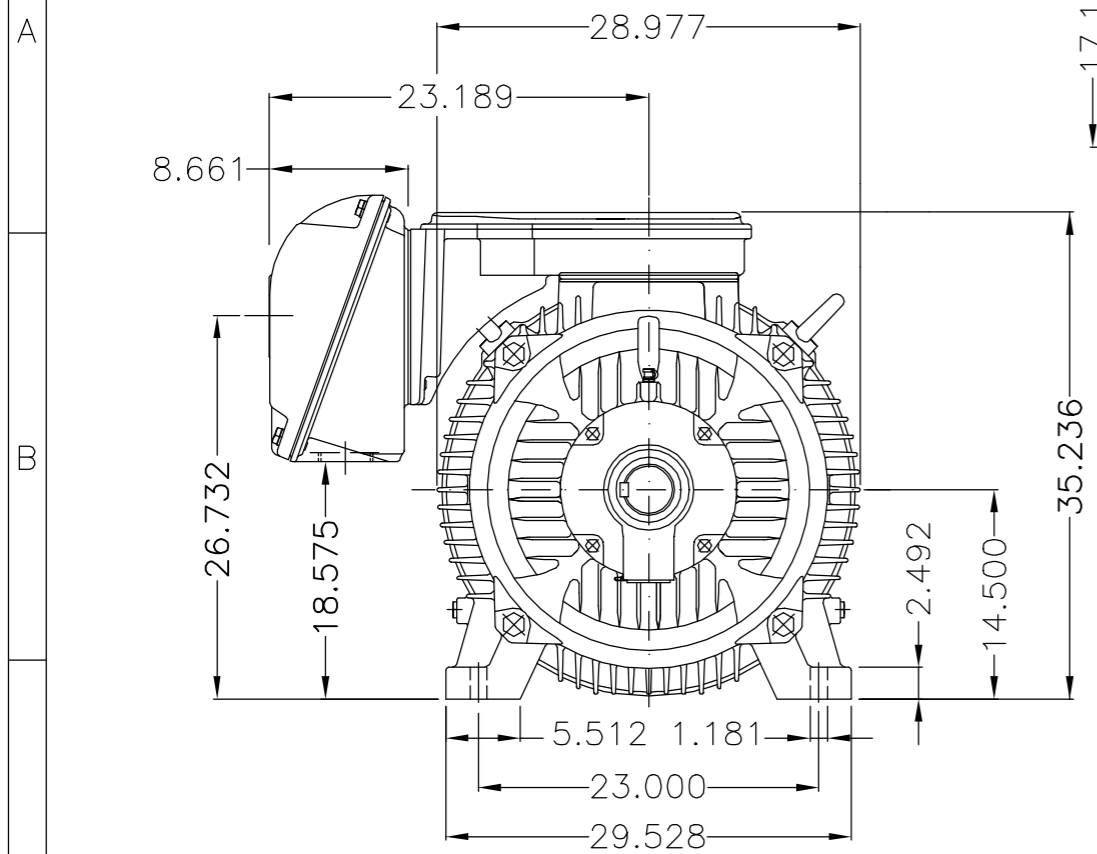
Rev.	Changes Summary	Performed	Checked	Date
Performed by		Page		Revision
Checked by		3 / 3		
Date		23/10/2023		

EIXO/SHAFT	
PADRÃO/STANDARD	
OPCIONAL/OPTIONAL	
ESPECIAL/SPECIAL	X

Dimensões em polegada  
Dimensions in inches

**CERTIFIED WEG MOTORES**  
Certified document.  
Not subject to changes.

THIS IS AN UPDATED REVISION, THE PREVIOUS ONE MUST BE DISREGARDED.



Rolamento dianteiro de rolos / DE roller bearing
Proteção térmica para desligamento - termostato 155°C
Thermal protection to switch off - thermostat 155°C
Dispositivo de travamento de eixo / Shaft locking device
Linha do motor: Crusher Duty / Motor purpose: Crusher Duty
Tampa dianteira especial / Special DE endshield
Rolamento dianteiro de rolos NU-324 / NU-324 DE roller bearing
Tampa traseira com mancal eletricamente isolado
NDE endshield with electrically insulated bearing hub
Cor RAL 5009 / Color RAL 5009
Plano de pintura 203A / Painting plan 203A
Forma construtiva NEMA F-1 / Mounting NEMA F-1
Forma construtiva B3D / Mounting B3R(D)

**WEG ELECTRIC CORPORATION - WEC**

500 HP	04 Poles	60Hz	J
500 HP	06 Poles	60Hz	I
450 HP	04 Poles	60Hz	H
450 HP	06 Poles	60Hz	G
400 HP	04 Poles	60Hz	F
400 HP	06 Poles	60Hz	E
350 HP	04 Poles	60Hz	D
350 HP	06 Poles	60Hz	C
300 HP	04 Poles	60Hz	B
300 HP	06 Poles	60Hz	A

500001929025	RETIRADO NOTA - SOL PLACAS	FRANCINES	JACKSONHM	JACKSONHM	30.04.2021	06	
500001331189	ADIC.NOTA CONDUITE/ADD NOTE CONDUIT	MENSOR	EANJOS	EANJOS	05.07.2017	05	
ECM	LOC	EXECUTED	CHECKED	RELEASED	DATE	VER	
EXECUTED	DVEGINI	THREE PHASE W22 MOTOR - NEMA PREMIUM EFF				10004040391	
CHECKED	NSCHMDT	FRAME 586/TZ IP55				000   06	
RELEASED	NSCHMDT					SHEET 1 / 1	
REL DT	25.01.2016	WMO	Jaragua do Sul	Product Engineering	SHEET 1 / 1		

