

# DATA SHEET



## Three Phase Induction Motor - Squirrel Cage

Customer :					
Product line		: W22 NEMA Premium Efficiency Three-Phase		Product code : 13500649	
Frame	: 586/7TZ		Locked rotor time	: 63s (cold) 35s (hot)	
Output	: 300 HP (220 kW)		Temperature rise	: 80 K	
Frequency	: 60 Hz		Duty cycle	: Cont.(S1)	
Rated voltage	: 575 V		Ambient temperature	: -20°C to +40°C	
Poles	: 4		Altitude	: 1000 m.a.s.l.	
Rated current	: 280 A		Protection degree	: IP55	
	: 7.2x(Code H)		Cooling method	: IC411 - TEFC	
Rated speed	: 1791 rpm		Mounting	: F-1	
Rated torque	: 122 kgfm		Rotation <sup>1</sup>	: Both (CW and CCW)	
Insulation class	: F		Noise level <sup>2</sup>	: 78.0 dB(A)	
Service factor	: 1.15		Starting method	: Direct On Line	
Moment of inertia (J)	: 5.92 kgm <sup>2</sup>		Approx. weight <sup>3</sup>	: 1397 kg	
Design	: A				
Output	25%	50%	75%	100%	
Efficiency (%)	0.000	95.4	95.8	96.2	
Power Factor	0.00	0.70	0.80	0.82	
Foundation loads					
Max. traction : 1465 kgf					
Max. compression : 2862 kgf					
		<u>Drive end</u>	<u>Non drive end</u>		
Bearing type	:	NU-324 C3	6319 C3		
Sealing	:	Taconite Labyrinth	Taconite Labyrinth		
Lubrication interval	:	3000 h	8000 h		
Lubricant amount	:	72 g	45 g		
Lubricant type	:	Mobil Polyrex EM			
Notes					
W22 Crusher Duty - NEMA Premium Efficiency					
This revision replaces and cancel the previous one, which must be eliminated. (1) Looking the motor from the shaft end. (2) Measured at 1m and with tolerance of +3dB(A). (3) Approximate weight subject to changes after manufacturing process. (4) At 100% of full load.			These are average values based on tests with sinusoidal power supply, subject to the tolerances stipulated in NEMA MG-1.		
Rev.	Changes Summary		Performed	Checked	Date
Performed by					
Checked by				Page	Revision
Date	28/05/2026			1 / 3	

# DATA SHEET

## Three Phase Induction Motor - Squirrel Cage



Customer : \_\_\_\_\_

### Thermal protection

ID	Application	Type	Quantity	Sensing Temperature
1	Winding	Thermostat - 2 wires	1 x Phase	155 °C

### Space heater information

Voltage: 200 - 240 V

Rev.	Changes Summary	Performed	Checked	Date
Performed by				
Checked by			Page	Revision
Date	28/05/2026		2 / 3	

# LOAD PERFORMANCE CURVE

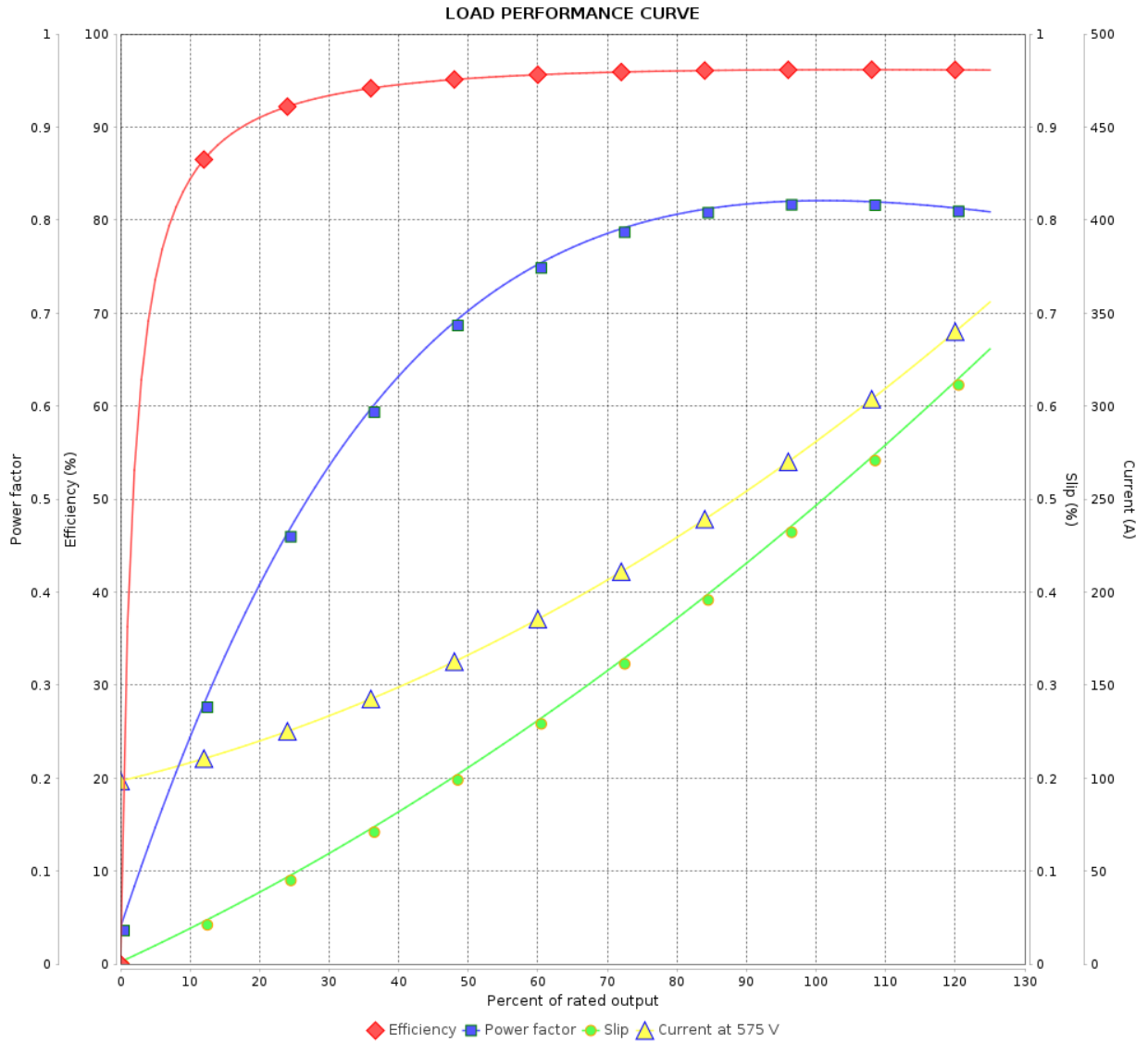
Three Phase Induction Motor - Squirrel Cage



Customer :

Product line : W22 NEMA Premium Efficiency Three-Phase

Product code : 13500649



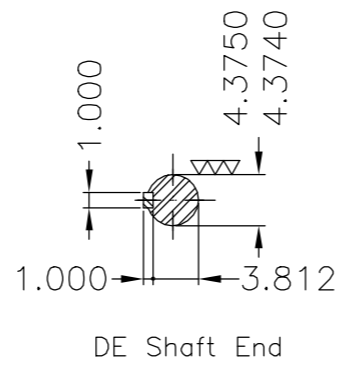
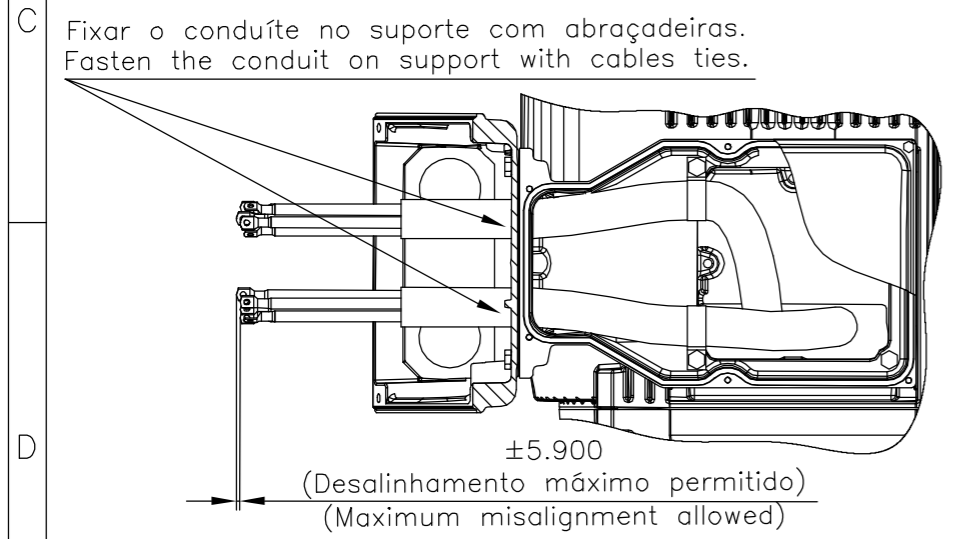
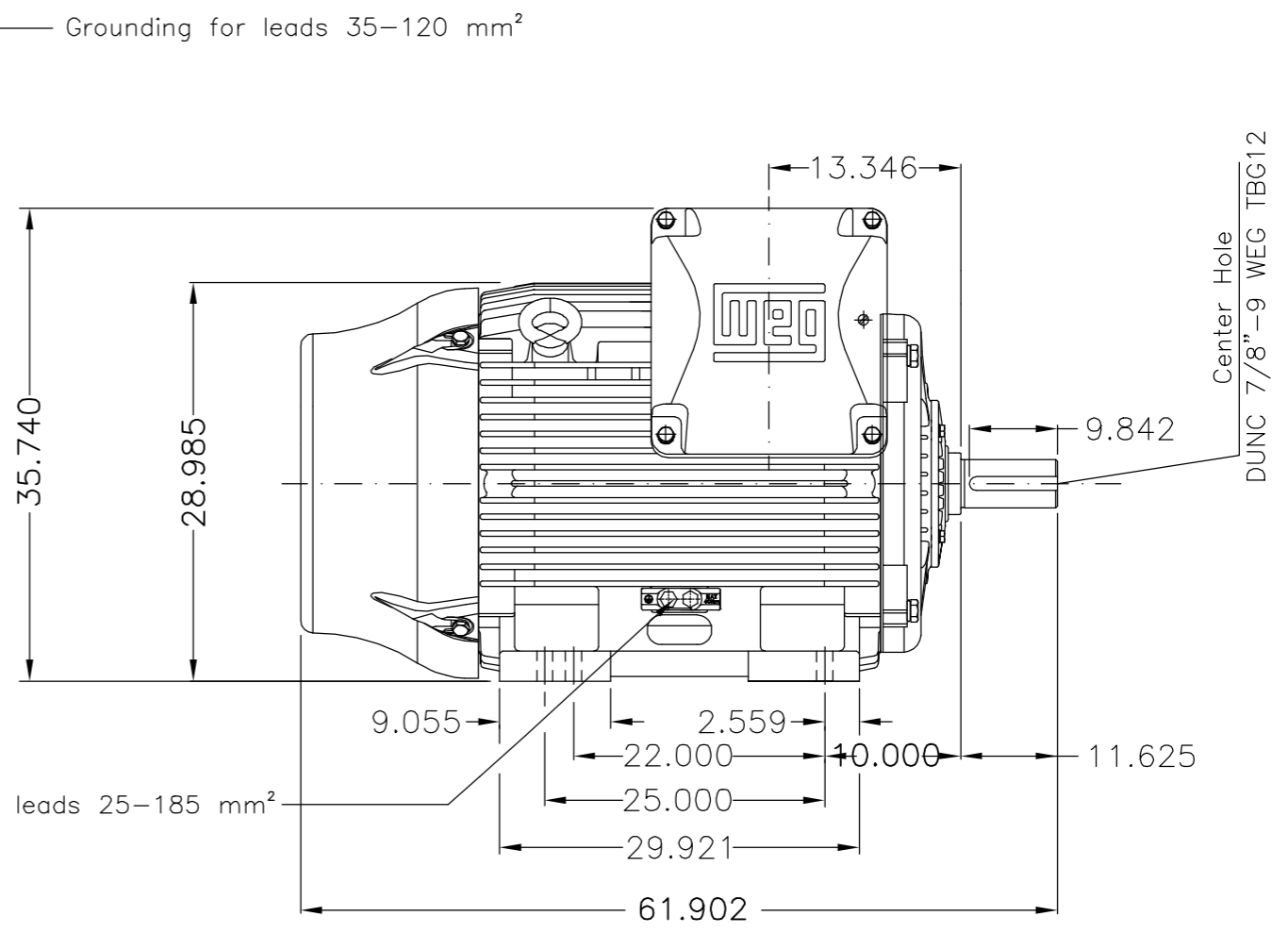
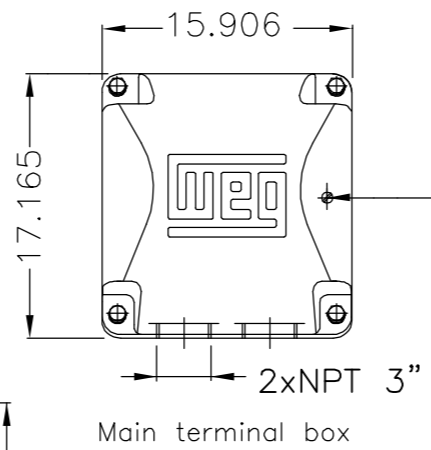
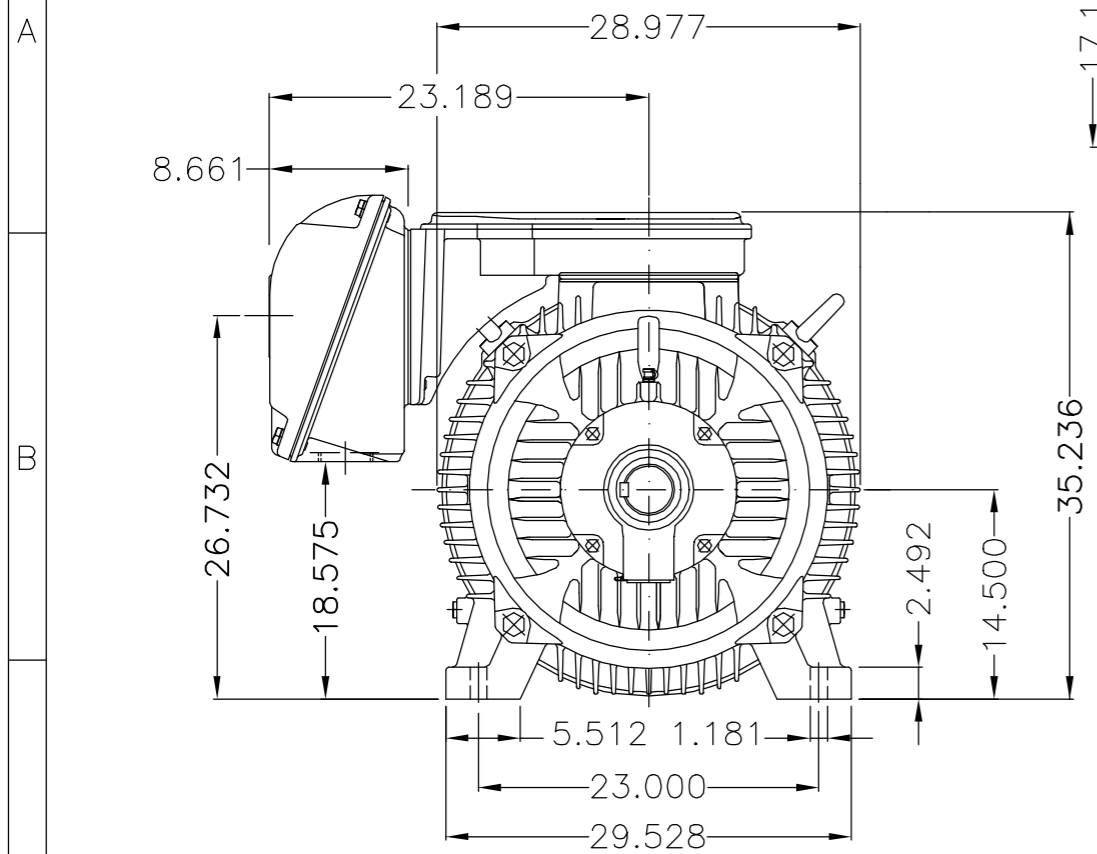
Rev.	Changes Summary	Performed	Checked	Date
Performed by		Page 3 / 3		Revision
Checked by				
Date				

EIXO/SHAFT	
PADRÃO/STANDARD	
OPCIONAL/OPTIONAL	
ESPECIAL/SPECIAL	X

Dimensões em polegada  
Dimensions in inches

**CERTIFIED WEG MOTORES**  
Certified document.  
Not subject to changes.

THIS IS AN UPDATED REVISION, THE PREVIOUS ONE MUST BE DISREGARDED.



Rolamento dianteiro de rolos / DE roller bearing
Proteção térmica para desligamento - termostato 155°C
Thermal protection to switch off - thermostat 155°C
Dispositivo de travamento de eixo / Shaft locking device
Linha do motor: Crusher Duty / Motor purpose: Crusher Duty
Tampa dianteira especial / Special DE endshield
Rolamento dianteiro de rolos NU-324 / NU-324 DE roller bearing
Tampa traseira com mancal eletricamente isolado
NDE endshield with electrically insulated bearing hub
Cor RAL 5009 / Color RAL 5009
Plano de pintura 203A / Painting plan 203A
Forma construtiva NEMA F-1 / Mounting NEMA F-1
Forma construtiva B3D / Mounting B3R(D)

<b>WEG ELECTRIC CORPORATION - WEC</b>									
E	500001929025	RETIRADO NOTA - SOL PLACAS	FRANCINES	JACKSONHM	JACKSONHM	30.04.2021	06		
	500001331189	ADIC.NOTA CONDUITE/ADD NOTE CONDUIT	MENSOR	EANJOS	EANJOS	05.07.2017	05		
D	ECM	LOC	SUMMARY OF MODIFICATIONS			EXECUTED	CHECKED	RELEASED	DATE VER
	EXECUTED	DVEGINI	THREE PHASE W22 MOTOR - NEMA PREMIUM EFF		10004040391				
C	CHECKED	NSCHMDT	FRAME 586/7TZ IP55		000   06				
	RELEASED	NSCHMDT							
B	REL DT	25.01.2016	WMO	Jaragua do Sul	Product Engineering	SHEET 1 / 1			

J	500 HP	04 Poles	60Hz		
	500 HP	06 Poles	60Hz		
I	450 HP	04 Poles	60Hz		
	450 HP	06 Poles	60Hz		
H	400 HP	04 Poles	60Hz		
	400 HP	06 Poles	60Hz		
G	350 HP	04 Poles	60Hz		
	350 HP	06 Poles	60Hz		
F	300 HP	04 Poles	60Hz		
	300 HP	06 Poles	60Hz		
E	300 HP	04 Poles	60Hz	414149741/0	MEC
	300 HP	06 Poles	60Hz	414149741/0	MEC

