

DATA SHEET



Three Phase Induction Motor - Squirrel Cage

Customer :						
Product line : W22 NEMA Premium Efficiency Three-Phase		Product code : 13500513				
Frame : 586/7TZ Output : 500 HP (370 kW) Poles : 6 Frequency : 60 Hz Rated voltage : 460 V Rated current : 603 A L. R. Amperes : 3618 A LRC : 6.0x(Code G) No load current : 240 A Rated speed : 1192 rpm Slip : 0.67 % Rated torque : 304 kgfm Locked rotor torque : 200 % Breakdown torque : 210 % Insulation class : F Service factor : 1.15 Moment of inertia (J) : 15.5 kgm ²	Locked rotor time : 45s (cold) 25s (hot) Temperature rise : 80 K Duty cycle : Cont.(S1) Ambient temperature : -20°C to +40°C Altitude : 1000 m.a.s.l. Protection degree : IP55 Cooling method : IC411 - TEFC Mounting : F-1 Rotation ¹ : Both (CW and CCW) Noise level ² : 77.0 dB(A) Starting method : Direct On Line Approx. weight ³ : 1997 kg					
Output	25%	50%	75%	100%	Foundation loads Max. traction : 3378 kgf Max. compression : 5375 kgf	
Efficiency (%)	0.000	95.8	96.2	96.2		
Power Factor	0.00	0.66	0.76	0.80		
Bearing type	:	<u>Drive end</u> NU-324 C3		<u>Non drive end</u> 6319 C3		
Sealing	:	Taconite Labyrinth		Taconite Labyrinth		
Lubrication interval	:	6000 h		13000 h		
Lubricant amount	:	72 g		45 g		
Lubricant type	:	Mobil Polyrex EM				
Notes						
This revision replaces and cancel the previous one, which must be eliminated. (1) Looking the motor from the shaft end. (2) Measured at 1m and with tolerance of +3dB(A). (3) Approximate weight subject to changes after manufacturing process. (4) At 100% of full load.			These are average values based on tests with sinusoidal power supply, subject to the tolerances stipulated in NEMA MG-1.			
Rev.	Changes Summary			Performed	Checked	Date
Performed by						
Checked by					Page	Revision
Date	23/10/2023				1 / 3	

DATA SHEET

Three Phase Induction Motor - Squirrel Cage



Customer : _____

Thermal protection

ID	Application	Type	Quantity	Sensing Temperature
1	Winding	Thermostat - 2 wires	1 x Phase	155 °C

Space heater information

Voltage: 200 - 240 V

Rev.	Changes Summary	Performed	Checked	Date
Performed by				
Checked by			Page	Revision
Date	23/10/2023		2 / 3	

LOAD PERFORMANCE CURVE

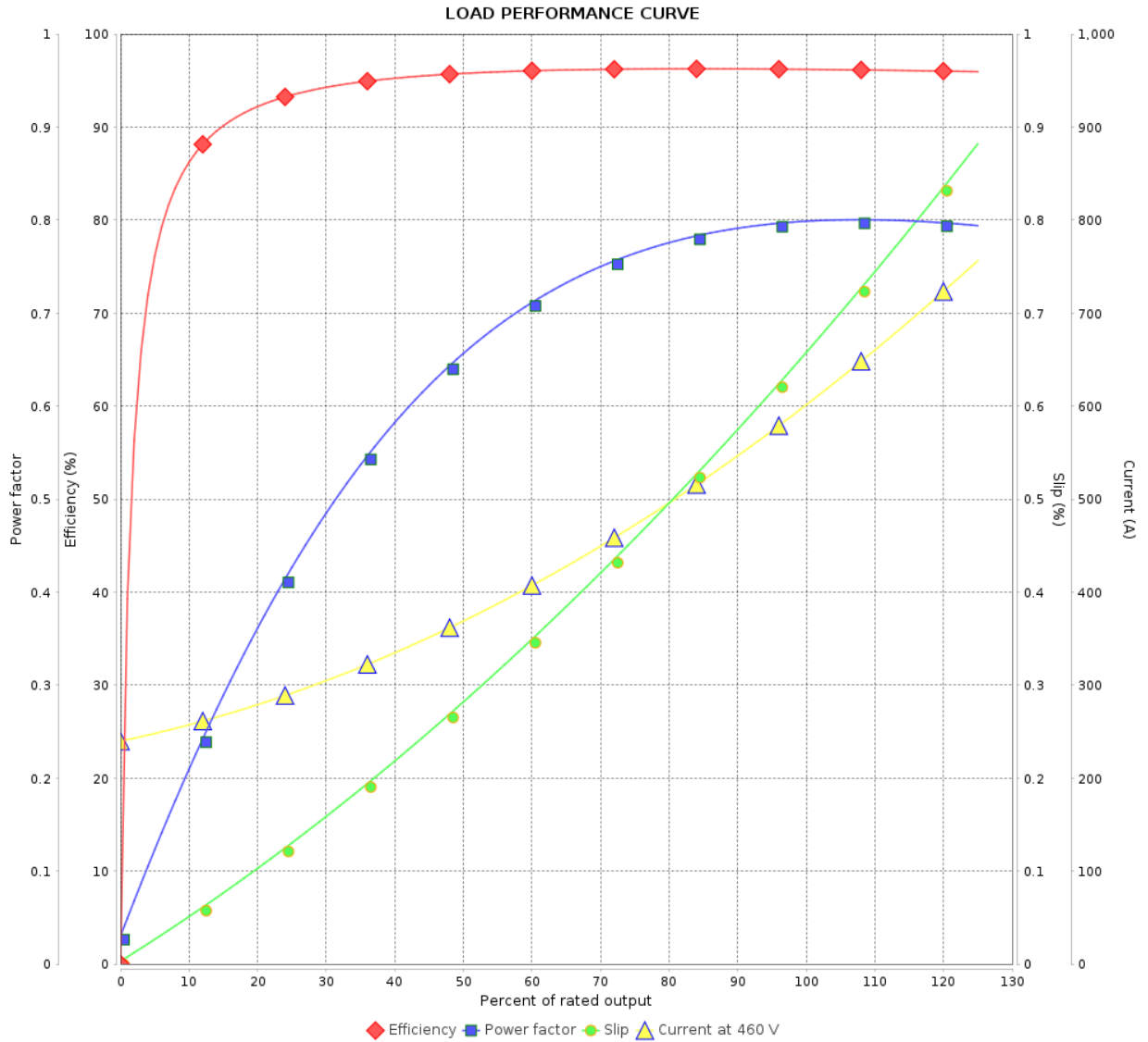
Three Phase Induction Motor - Squirrel Cage



Customer :

Product line : W22 NEMA Premium Efficiency Three-Phase

Product code : 13500513



Performance : 460 V 60 Hz 6P

Rated current : 603 A
 LRC : 6.0
 Rated torque : 304 kgfm
 Locked rotor torque : 200 %
 Breakdown torque : 210 %
 Rated speed : 1192 rpm

Moment of inertia (J) : 15.5 kgm²
 Duty cycle : Cont.(S1)
 Insulation class : F
 Service factor : 1.15
 Temperature rise : 80 K

Rev.	Changes Summary	Performed	Checked	Date
Performed by			Page	Revision
Checked by				
Date				

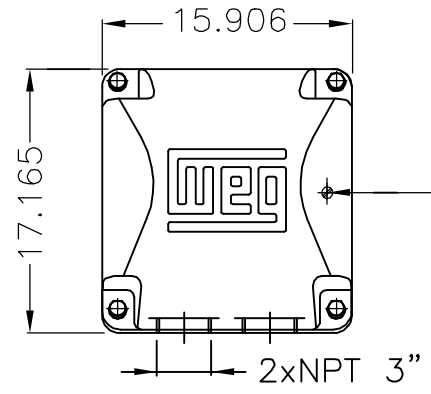
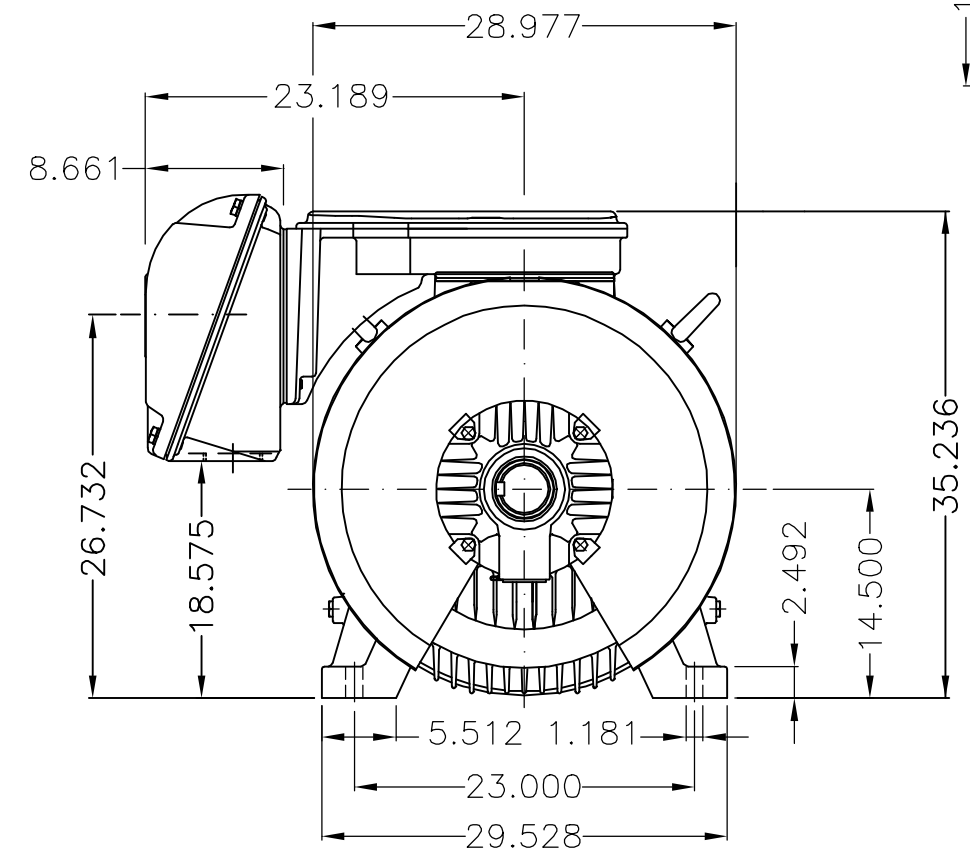
EIXO/SHAFT	
PADRÃO/STANDARD	
OPCIONAL/OPTIONAL	
ESPECIAL/SPECIAL	X

Dimensões em polegada
Dimensions in inches

CERTIFIED WEG MOTORES
Certified document.
Not subject to changes.

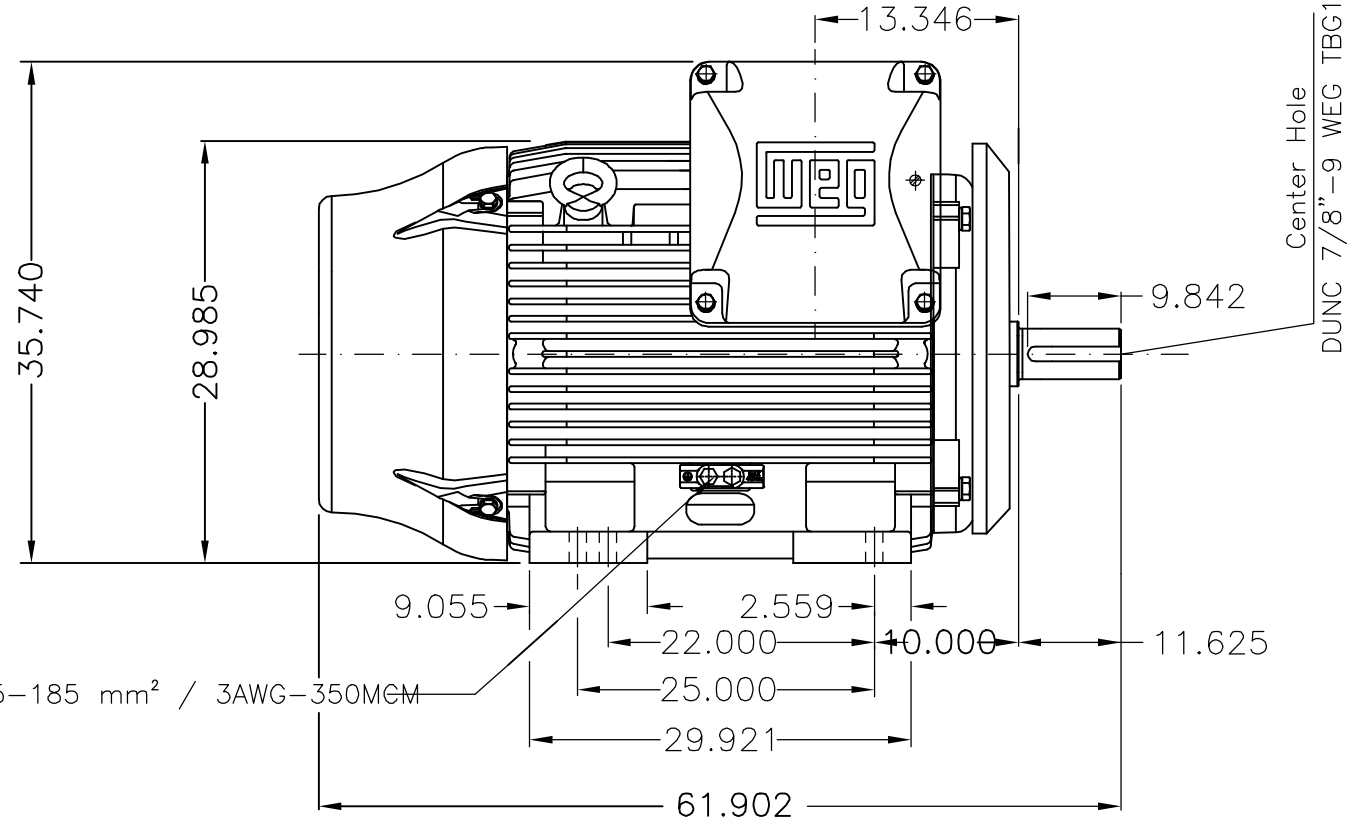
THIS IS AN UPDATED REVISION, THE PREVIOUS ONE MUST BE DISREGARDED.

A
B
C
D
E



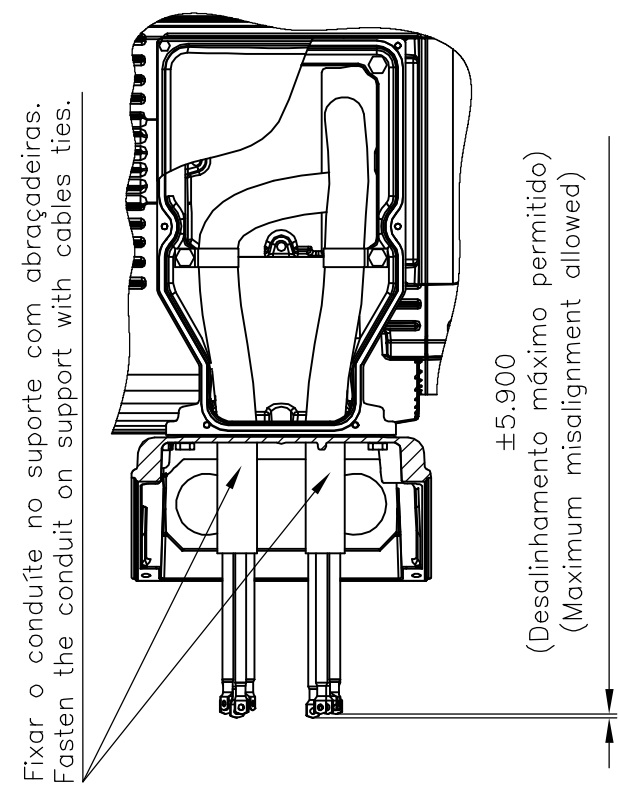
Main terminal box

Grounding for leads 35-120 mm² / 1-4/0 AWG



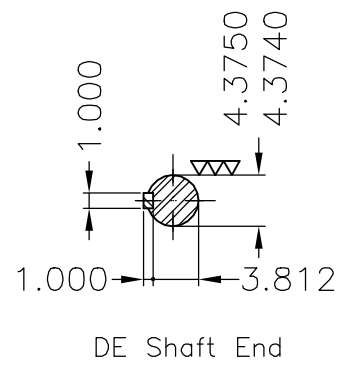
Grounding for leads 25-185 mm² / 3AWG-350MCM

Center Hole
DUNC 7/8"-9 WEG TBG12



Fixar o conduto no suporte com abraçadeiras.
Fasten the conduit on support with cables ties.

±5.900
(Desalinhamento máximo permitido)
(Maximum misalignment allowed)



DE Shaft End

Conduite para cabos no interior do suporte da caixa de ligação	Cables conduit inside terminal box support
Tampa dianteira especial / Special DE endshield	Rolamento dianteiro de rolos NU-324 / NU-324 DE roller bearing
Linha do motor: Crusher Duty / Motor purpose: Crusher Duty	Dispositivo de travamento de eixo / Shaft locking device
Proteção térmica para desligamento - termostato 155°C	Thermal protection to switch off - thermostat 155°C
Tampa traseira com mancal eletricamente isolado	NDE endshield with electrically insulated bearing hub
Defletor de ar dianteiro / Drive-End Air Deflector	Cor RAL 5009 / Color RAL 5009
Plano de pintura 203A / Painting plan 203A	Forma construtiva NEMA F-1 / Mounting NEMA F-1
Forma construtiva B3D / Mounting B3R(D)	

WEG ELECTRIC CORPORATION - WEC

414149741/0	MEC
ECM	LOC
EXECUTED	DVEGINI
CHECKED	NSCHMDT
RELEASED	NSCHMDT
REL DT	02.05.2017

500002368949	REMOVED NOTE OF CATEGORY A	FRANCINES	LEDUARDO	LEDUARDO	05.05.2023	05
500001346215	B2 ADDED DEFLECTOR RETAIL	SAORIN	ERIC	ERIC	10.08.2017	04
EXECUTED	DVEGINI	EXECUTED	CHECKED	RELEASED	DATE	VER
THREE PHASE W22 MOTOR - NEMA PREMIUM EFF	FRAME 586/7TZ IP55 TEFC	10004909462	000	05	WEG	
Jaraguá do Sul	Product Engineering	SHEET	1 / 1		ZME A3	

500 HP 06 Poles 60Hz 414649158/0

UNCONTROLLED COPY
RELEASED