

DATA SHEET



Three Phase Induction Motor - Squirrel Cage

Customer :

Product line : W22 P Base NEMA Premium Efficiency Three-Phase Product code : 13821926

Frame	: 143/5HP	Locked rotor time	: 25s (cold) 14s (hot)
Output	: 1.5 HP (1.1 kW)	Temperature rise	: 80 K
Poles	: 4	Duty cycle	: Cont.(S1)
Frequency	: 60 Hz	Ambient temperature	: -20°C to +40°C
Rated voltage	: 575 V	Altitude	: 1000 m.a.s.l.
Rated current	: 1.62 A	Protection degree	: IP55
L. R. Amperes	: 13.6 A	Cooling method	: IC411 - TEFC
LRC	: 8.4x(Code L)	Mounting	: W-6
No load current	: 0.840 A	Rotation ¹	: Both (CW and CCW)
Rated speed	: 1755 rpm	Noise level ²	: 51.0 dB(A)
Slip	: 2.50 %	Starting method	: Direct On Line
Rated torque	: 0.620 kgfm	Approx. weight ³	: 27.0 kg
Locked rotor torque	: 250 %		
Breakdown torque	: 340 %		
Insulation class	: F		
Service factor	: 1.25		
Moment of inertia (J)	: 0.0060 kgm ²		
Design	: B		

Output	25%	50%	75%	100%	Foundation loads
Efficiency (%)	0.000	82.5	85.5	86.5	Max. traction
Power Factor	0.00	0.60	0.70	0.79	Max. compression

	Drive end	Non drive end
Bearing type	: 6307 ZZ	6204 ZZ
Sealing	: V'Ring	V'Ring
Lubrication interval	: 0 h	0 h
Lubricant amount	: 0 g	0 g
Lubricant type	: Mobil Polyrex EM	

Notes

This revision replaces and cancel the previous one, which must be eliminated.

- (1) Looking the motor from the shaft end.
- (2) Measured at 1m and with tolerance of +3dB(A).
- (3) Approximate weight subject to changes after manufacturing process.
- (4) At 100% of full load.

These are average values based on tests with sinusoidal power supply, subject to the tolerances stipulated in NEMA MG-1.

Rev.	Changes Summary	Performed	Checked	Date
Performed by		Page		Revision
Checked by		1 / 2		
Date	26/10/2024			

LOAD PERFORMANCE CURVE

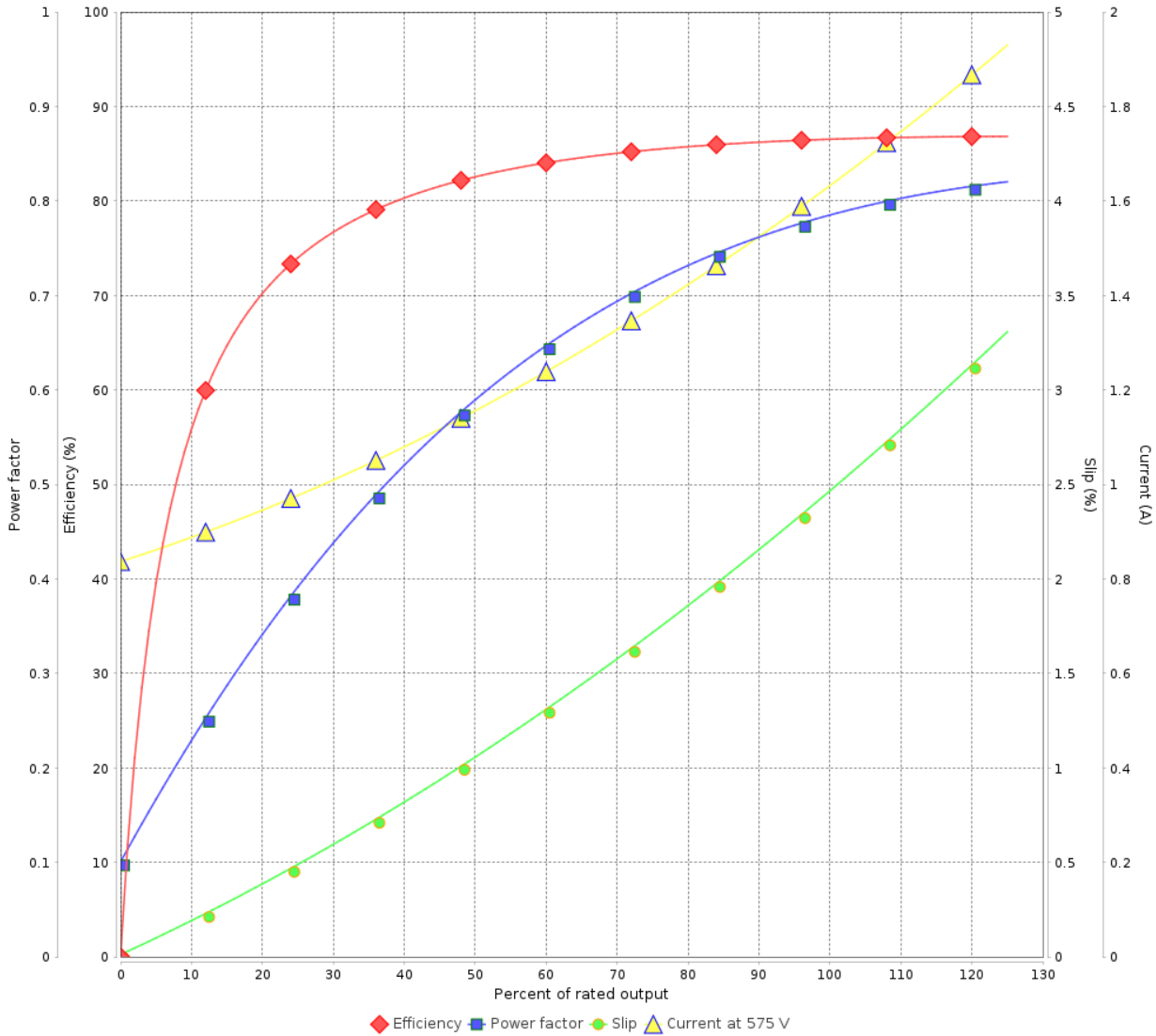
Three Phase Induction Motor - Squirrel Cage



Customer :

Product line : W22 P Base NEMA Premium Efficiency Three-Phase Product code : 13821926

LOAD PERFORMANCE CURVE



Performance : 575 V 60 Hz 4P

Rated current	: 1.62 A	Moment of inertia (J)	: 0.0060 kgm ²
LRC	: 8.4	Duty cycle	: Cont.(S1)
Rated torque	: 0.620 kgfm	Insulation class	: F
Locked rotor torque	: 250 %	Service factor	: 1.25
Breakdown torque	: 340 %	Temperature rise	: 80 K
Rated speed	: 1755 rpm	Design	: B

Rev.	Changes Summary	Performed	Checked	Date
Performed by			Page 2 / 2	Revision
Checked by				
Date	26/10/2024			

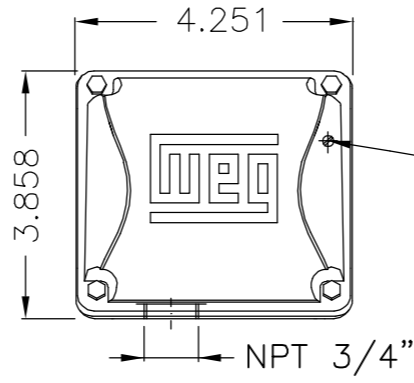
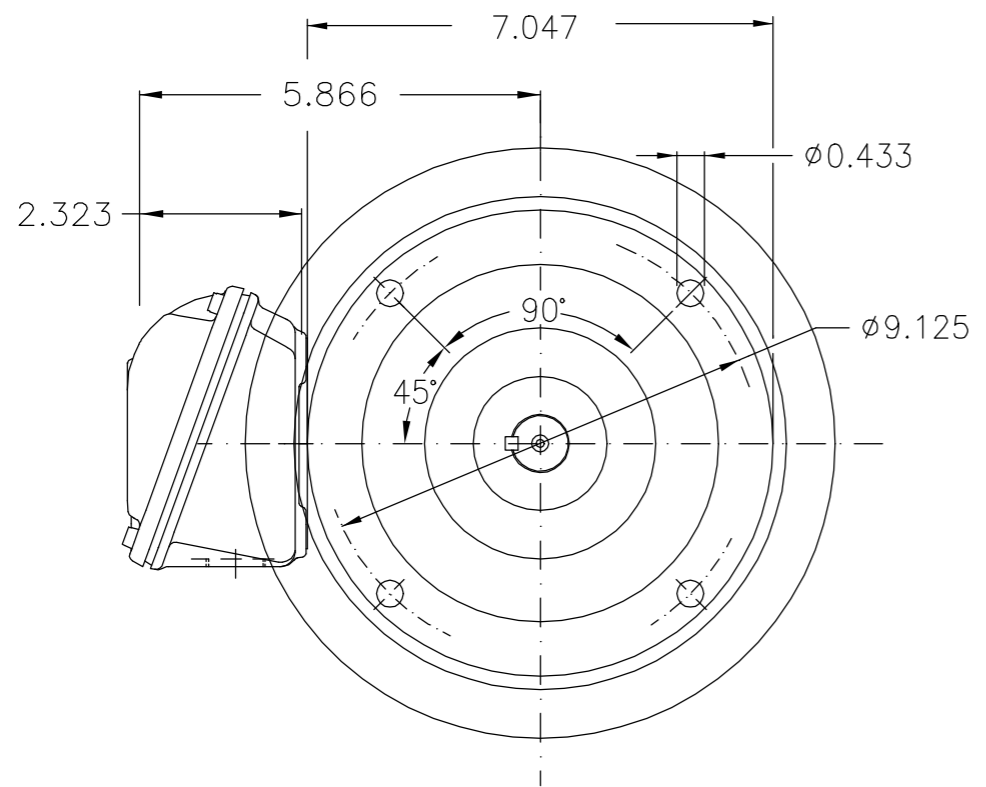
EIXO/SHAFT	
PADRÃO/STANDARD	
OPCIONAL/OPTIONAL	
ESPECIAL/SPECIAL	X

Dimensões em polegada
Dimensions in inches

**CERTIFIED
WEG MOTORES**
Certified document.
Not subject to changes.

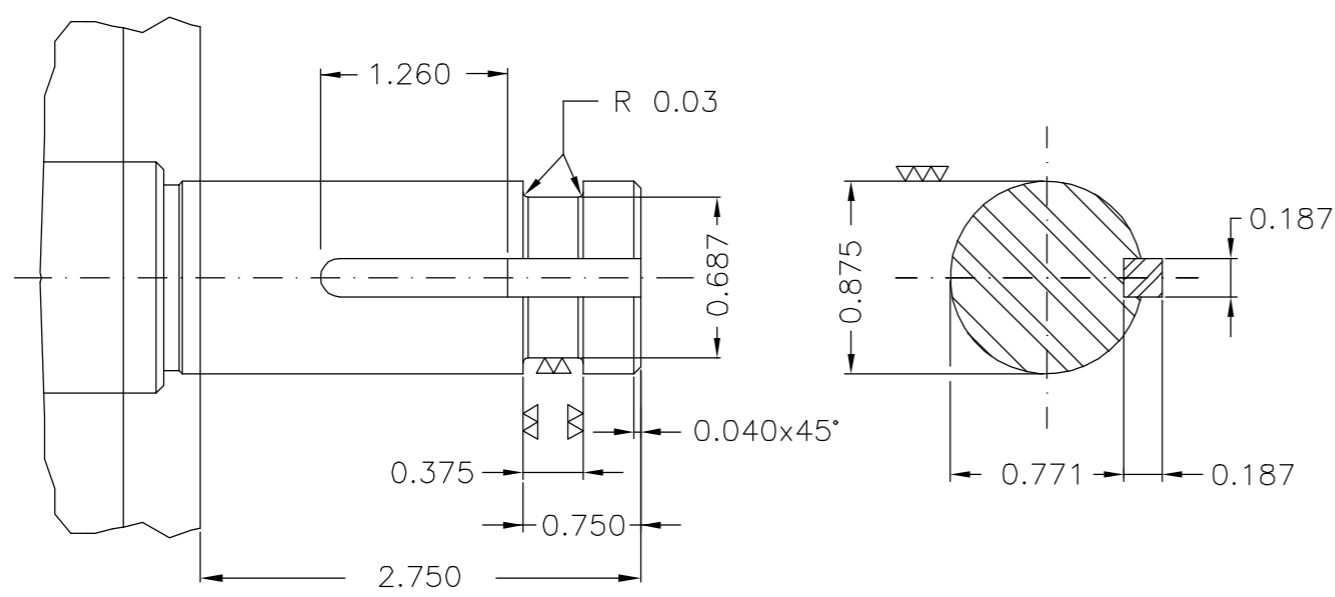
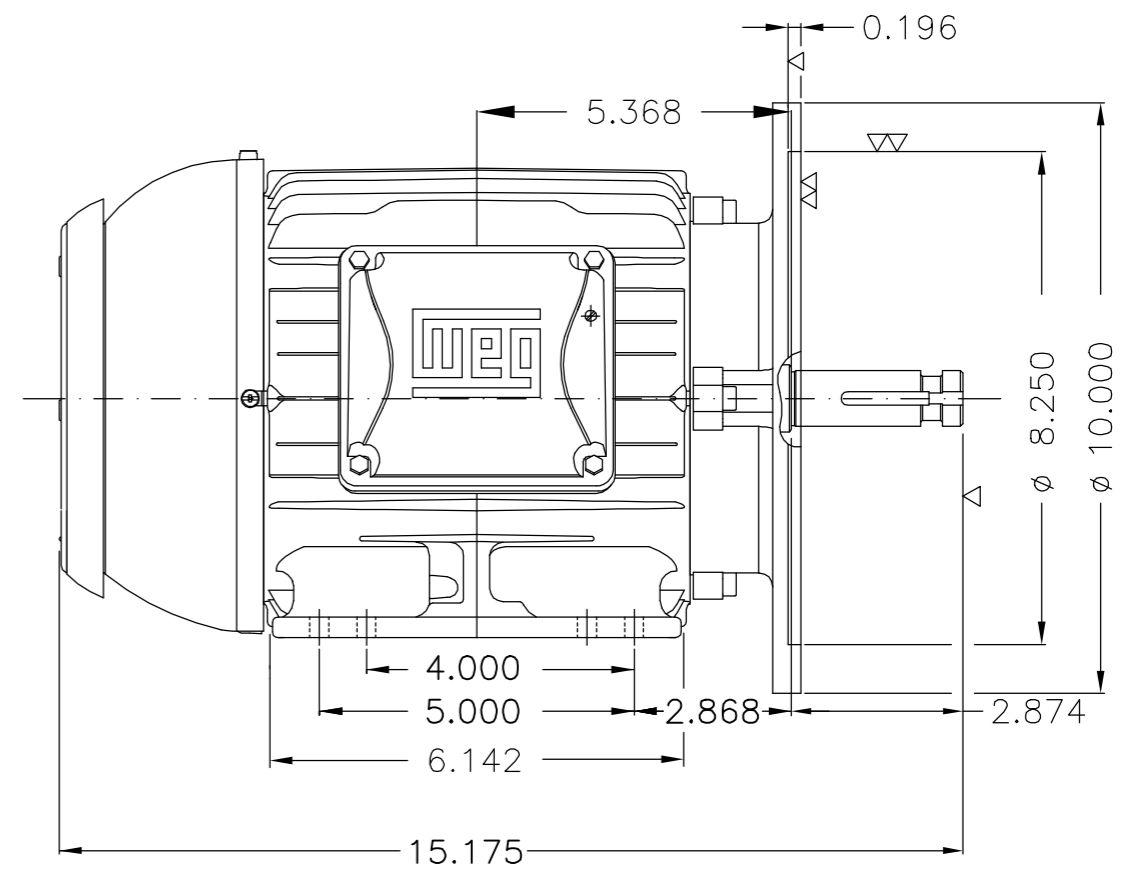
THIS IS AN UPDATED REVISION, THE
PREVIOUS ONE MUST BE DISREGARDED.

A
B
C
D
E



Grounding for leads 0.5–6 mm² / 20–10 AWG

Main terminal box



Ventilador de plástico / Plastic fan
Cor RAL 5009 / Color RAL 5009
Plano de pintura 207A / Painting plan 207A
Forma construtiva NEMA W-6 / Mounting NEMA W-6
Forma construtiva V15D / Mounting V15R(D)
V.J. PAMENSKY CANADA INC.

500002148791	ALT CONFORME 418229042	CLAUDEMIRR	JACKSONDC	JACKSONDC	14.06.2022	08		
500002133069	ALT CONFORME 418984884	CLAUDEMIRR	JACKSONDC	JACKSONDC	23.05.2022	07		
ECM	LOC	SUMMARY OF MODIFICATIONS		EXECUTED	CHECKED	RELEASED	DATE	VER
EXECUTED	DVEGINI		THREE PHASE W22 P-BASE MOTOR PREMIUM EFF			10004608270		
CHECKED	NSCHMIDT		FRAME 143/5HP IP55 TEFC			000 08		
RELEASED	NSCHMIDT		P. BASE					
REL DT	17.11.2016	WMO	Jaragua do Sul	Product Engineering	SHEET	1 / 1		

2 HP	04 Poles	60Hz			B
1.5 HP	04 Poles	60Hz	414476217/0	MEC	A

UNCONTROLLED COPY
RELEASED
ZME A3