

DATA SHEET

Three Phase Induction Motor - Squirrel Cage



Customer	:			
Product line	: Three-Phase	Product code : 13737498		
Frame	: 56H	Cooling method : IC01 - ODP		
Insulation class	: F	Mounting : F-1		
Duty cycle	: Cont.(S1)	Rotation ¹ : Both (CW and CCW)		
Ambient temperature	: -20°C to +40°C	Starting method : Direct On Line		
Altitude	: 1000 m.a.s.l.	Approx. weight ³ : 17.2 kg		
Design	: A	Moment of inertia (J) : 0.0049 kgm ²		
Output [HP]		2		
Poles		4		
Frequency [Hz]		60		
Rated voltage [V]		575		
Rated current [A]		2.15		
L. R. Amperes [A]		16.6		
LRC [A]		7.7x(Code K)		
No load current [A]		1.10		
Rated speed [RPM]		1740		
Slip [%]		3.33		
Rated torque [kgfm]		0.834		
Locked rotor torque [%]		260		
Breakdown torque [%]		320		
Service factor		1.15		
Temperature rise		80 K		
Locked rotor time		30s (cold) 17s (hot)		
Noise level ²		52.0 dB(A)		
Efficiency (%)	25%			
	50%	85.5		
	75%	86.5		
	100%	86.5		
Power Factor	25%			
	50%	0.61		
	75%	0.74		
	100%	0.81		
Bearing type	: <u>Drive end</u> 6204 ZZ <u>Non drive end</u> 6202 ZZ	Foundation loads		
Sealing	: Without Without Bearing Seal Bearing Seal	Max. traction : 77 kgf Max. compression : 94 kgf		
Lubrication interval	: - -			
Lubricant amount	: - -			
Lubricant type	: Mobil Polyrex EM			
Notes				
This revision replaces and cancel the previous one, which must be eliminated. (1) Looking the motor from the shaft end. (2) Measured at 1m and with tolerance of +3dB(A). (3) Approximate weight subject to changes after manufacturing process. (4) At 100% of full load.		These are average values based on tests with sinusoidal power supply, subject to the tolerances stipulated in NEMA MG-1.		
Rev.	Changes Summary	Performed	Checked	Date
Performed by				
Checked by			Page	Revision
Date	17/05/2022		1 / 2	

LOAD PERFORMANCE CURVE

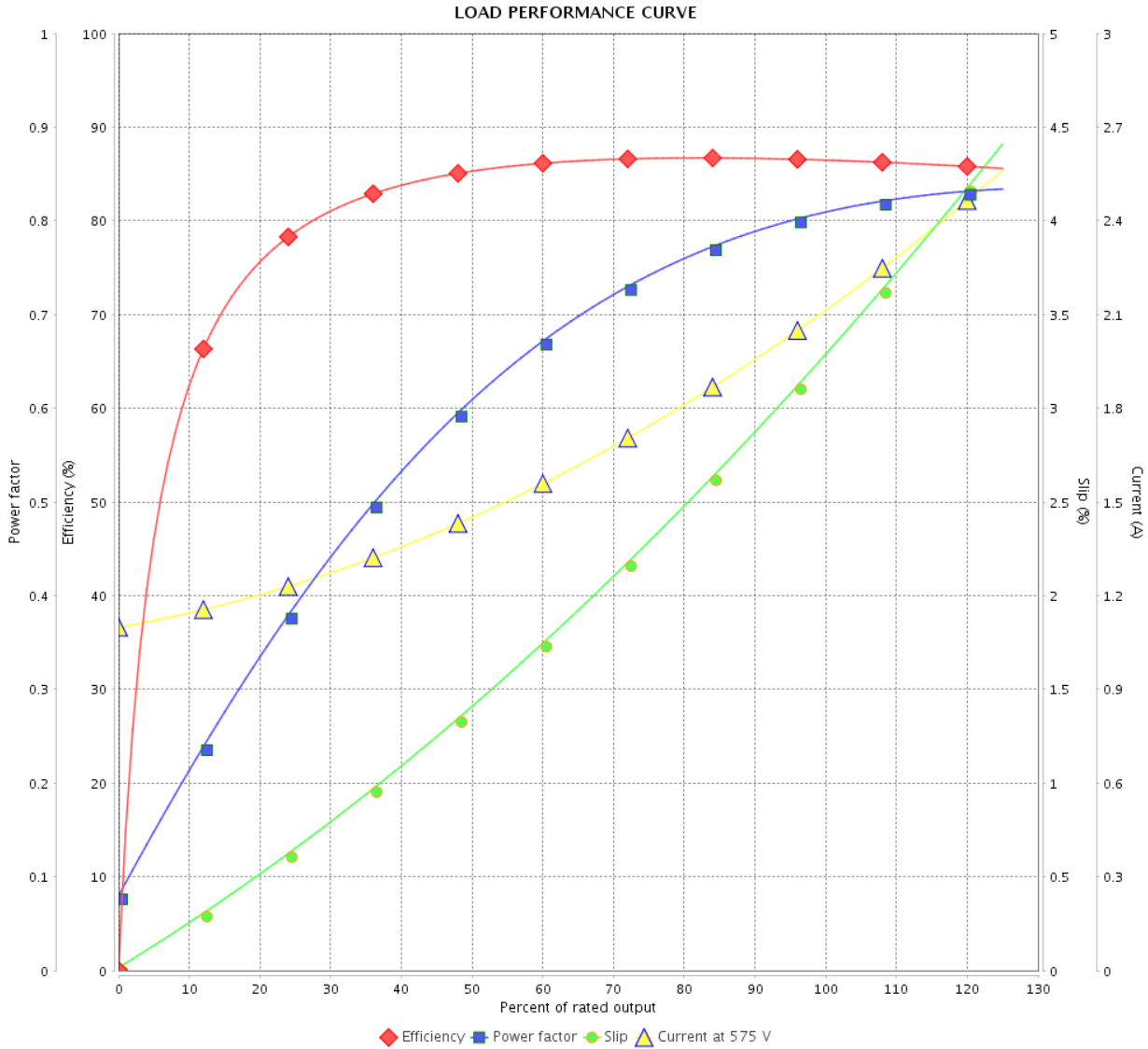
Three Phase Induction Motor - Squirrel Cage



Customer : _____

Product line : Three-Phase

Product code : 13737498

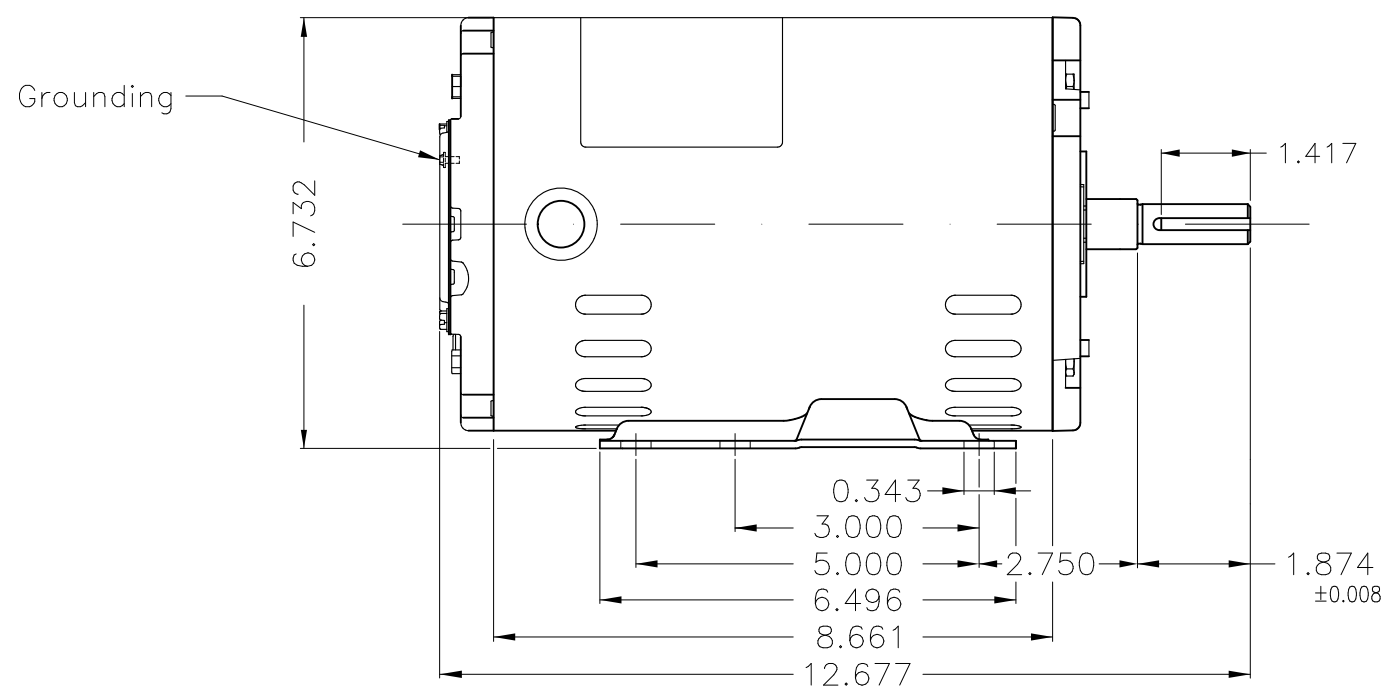
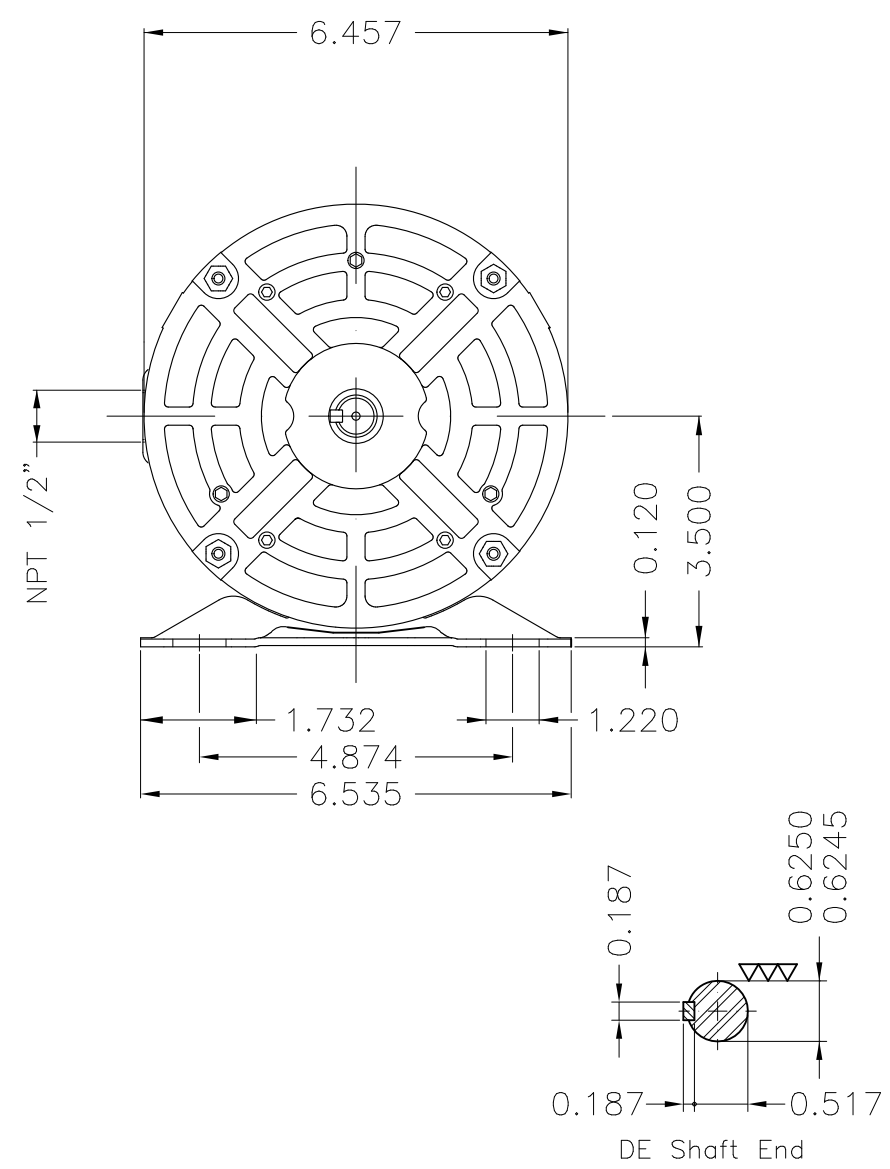


Performance : 575 V 60 Hz 4P

Rated current : 2.15 A
 LRC : 7.7
 Rated torque : 0.834 kgfm
 Locked rotor torque : 260 %
 Breakdown torque : 320 %
 Rated speed : 1740 rpm

Moment of inertia (J) : 0.0049 kgm²
 Duty cycle : Cont.(S1)
 Insulation class : F
 Service factor : 1.15
 Temperature rise : 80 K
 Design : A

Rev.	Changes Summary	Performed	Checked	Date
Performed by			Page 2 / 2	Revision
Checked by				
Date	17/05/2022			



Color Munsell N 1 matte black					
Painting plan 207N					
Mounting F-1/B3R(D)					
				HYBRISUSER	00
ECM	LOC	SUMMARY OF MODIFICATIONS	EXECUTED	CHECKED	RELEASED
EXECUTED	HYBRISUSER	THREE PH. MOTOR ROLLED STEEL PREM. EFF.			
CHECKED		FRAME 56H IP21 ODP			
RELEASED					
REL. DATE	WMO	Jaragua do Sul	Product Engineering	PREVIEW	WDD 00
			SHEET	1 / 1	

2 HP 04 Poles 60 Hz

