

DATA SHEET

Three Phase Induction Motor - Squirrel Cage



Customer :				
Product line : Three-Phase		Product code : 13737500		
Frame	: 56H	Cooling method	: IC01 - ODP	
Insulation class	: F	Mounting	: F-1	
Duty cycle	: Cont.(S1)	Rotation ¹	: Both (CW and CCW)	
Ambient temperature	: -20°C to +40°C	Starting method	: Direct On Line	
Altitude	: 1000 m.a.s.l.	Approx. weight ³	: 17.2 kg	
Design	: A	Moment of inertia (J)	: 0.0049 kgm ²	
Output [HP]	2	2	2	
Poles	4	4	4	
Frequency [Hz]	60	50	50	
Rated voltage [V]	230/460	190/380	220/415	
Rated current [A]	5.38/2.69	6.52/3.26	5.79/3.07	
L. R. Amperes [A]	41.4/20.7	36.5/18.3	38.8/20.6	
LRC [A]	7.7x(Code K)	5.6x(Code G)	6.7x(Code J)	
No load current [A]	2.75/1.38	2.70/1.35	3.08/1.63	
Rated speed [RPM]	1740	1410	1430	
Slip [%]	3.33	6.00	4.67	
Rated torque [kgfm]	0.834	1.03	1.02	
Locked rotor torque [%]	260	200	250	
Breakdown torque [%]	320	229	280	
Service factor		1.00	1.00	
Temperature rise	80 K	105 K	80 K	
Locked rotor time	30s (cold) 17s (hot)	28s (cold) 16s (hot)	27s (cold) 15s (hot)	
Noise level ²	52.0 dB(A)	49.0 dB(A)	49.0 dB(A)	
Efficiency (%)	25%			
	50%	85.5	85.9	84.6
	75%	86.5	85.0	85.2
	100%	86.5	82.2	83.8
Power Factor	25%			
	50%	0.61	0.69	0.61
	75%	0.74	0.80	0.74
	100%	0.81	0.85	0.81
Bearing type	: Drive end 6204 ZZ Non drive end 6202 ZZ	Foundation loads		
Sealing	: Without Bearing Seal Without Bearing Seal	Max. traction	: 83 kgf	
		Max. compression	: 100 kgf	
Lubrication interval	: -			
Lubricant amount	: -			
Lubricant type	: Mobil Polyrex EM			
Notes USABLE @208V 5.95A SF 1.00 SFA 5.95A				
This revision replaces and cancel the previous one, which must be eliminated. (1) Looking the motor from the shaft end. (2) Measured at 1m and with tolerance of +3dB(A). (3) Approximate weight subject to changes after manufacturing process. (4) At 100% of full load.		These are average values based on tests with sinusoidal power supply, subject to the tolerances stipulated in NEMA MG-1.		
Rev.	Changes Summary	Performed	Checked	Date
Performed by				
Checked by			Page	Revision
Date	17/05/2022		1 / 4	

LOAD PERFORMANCE CURVE

Three Phase Induction Motor - Squirrel Cage

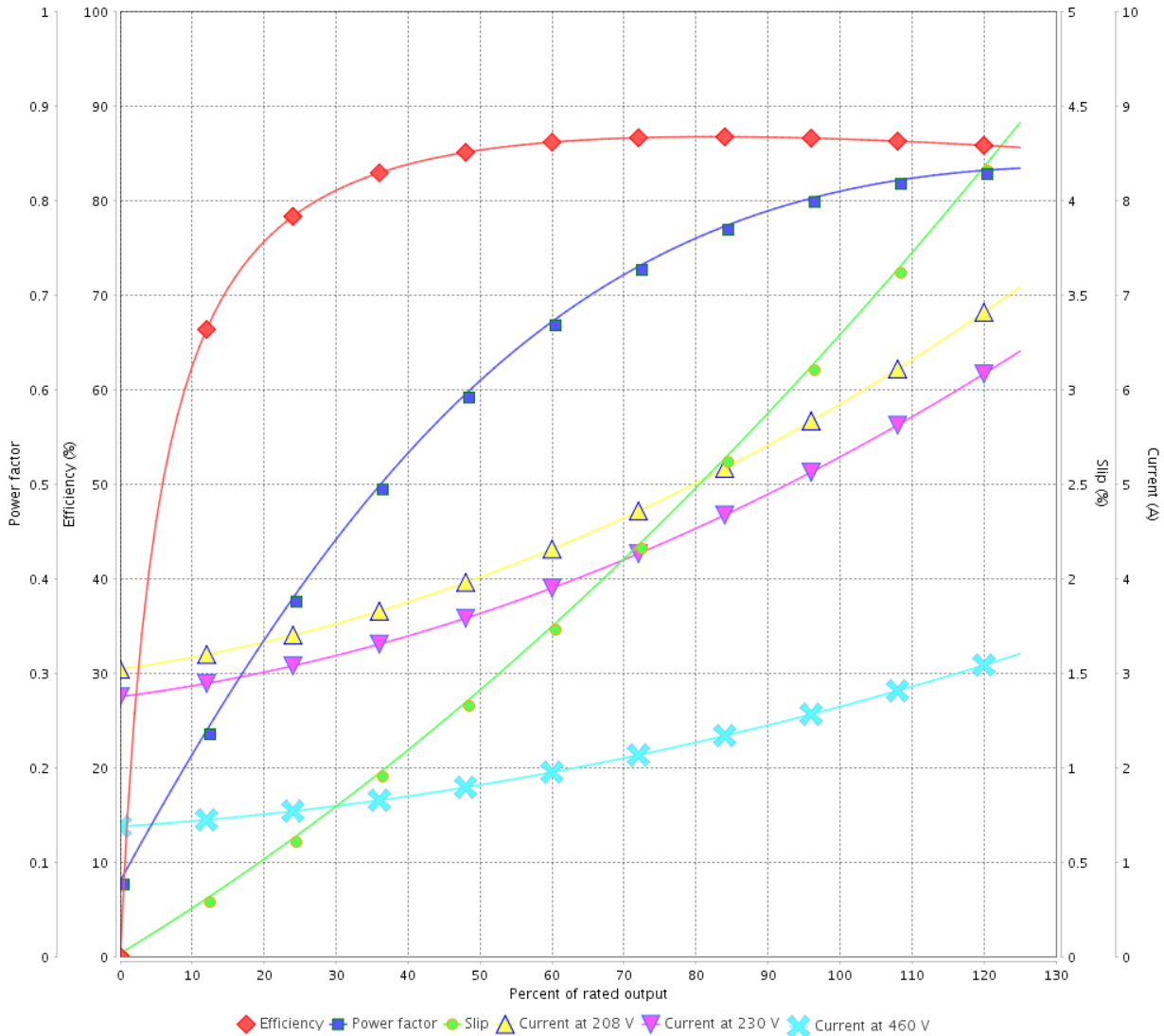


Customer :

Product line : Three-Phase

Product code : 13737500

LOAD PERFORMANCE CURVE



Performance : 230/460 V 60 Hz 4P

Rated current : 5.38/2.69 A
 LRC : 7.7
 Rated torque : 0.834 kgfm
 Locked rotor torque : 260 %
 Breakdown torque : 320 %
 Rated speed : 1740 rpm

Moment of inertia (J) : 0.0049 kgm²
 Duty cycle : Cont.(S1)
 Insulation class : F
 Service factor :
 Temperature rise : 80 K
 Design : A

Rev.	Changes Summary	Performed	Checked	Date
Performed by			Page 2 / 4	Revision
Checked by				
Date	17/05/2022			

LOAD PERFORMANCE CURVE

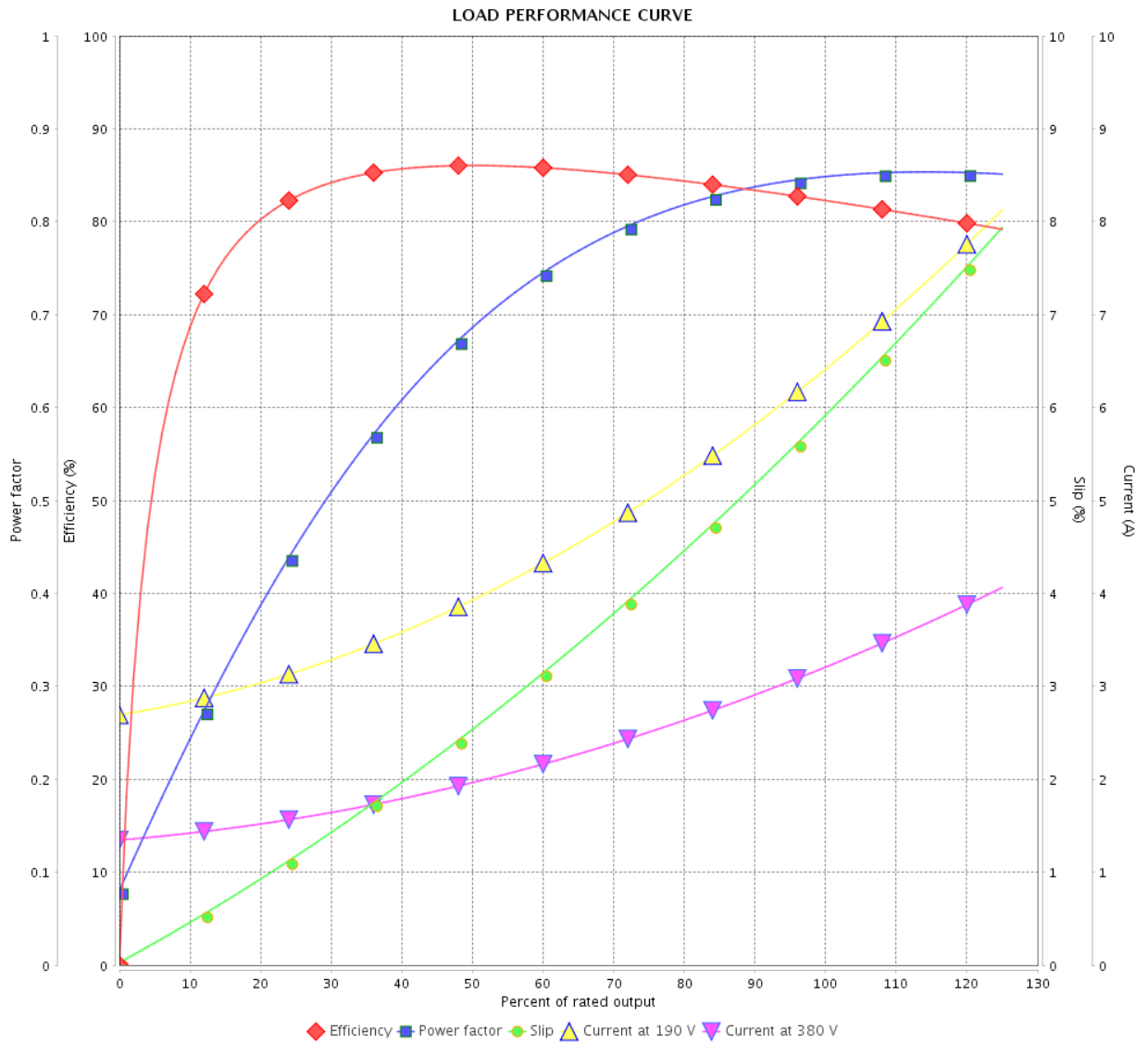
Three Phase Induction Motor - Squirrel Cage



Customer :

Product line : Three-Phase

Product code : 13737500



Performance : 190/380 V 50 Hz 4P

Rated current : 6.52/3.26 A
 LRC : 5.6
 Rated torque : 1.03 kgfm
 Locked rotor torque : 200 %
 Breakdown torque : 229 %
 Rated speed : 1410 rpm

Moment of inertia (J) : 0.0049 kgm²
 Duty cycle : Cont.(S1)
 Insulation class : F
 Service factor : 1.00
 Temperature rise : 105 K
 Design : A

Rev.	Changes Summary	Performed	Checked	Date
Performed by			Page	Revision
Checked by				
Date				

LOAD PERFORMANCE CURVE

Three Phase Induction Motor - Squirrel Cage

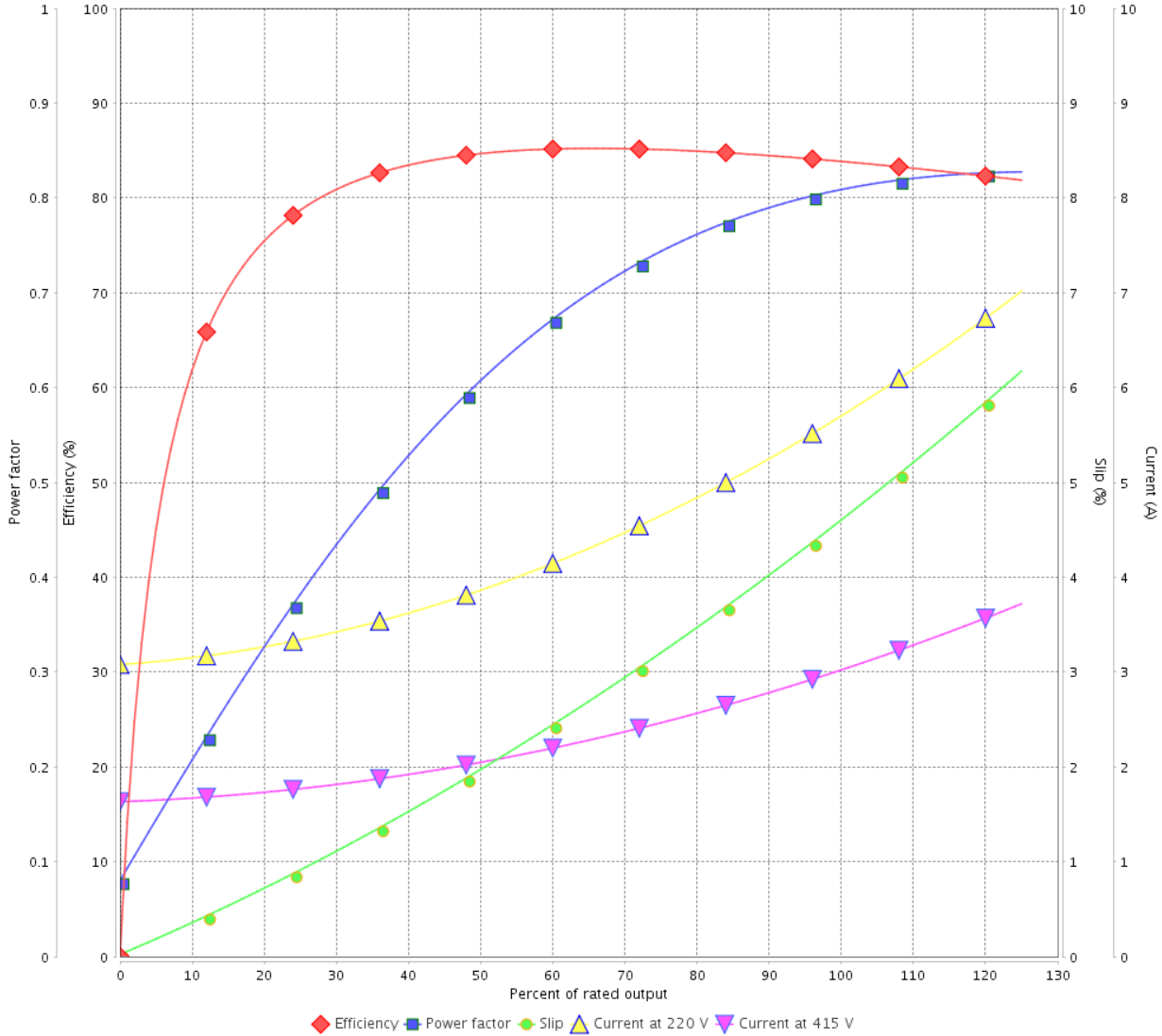


Customer : _____

Product line : Three-Phase

Product code : 13737500

LOAD PERFORMANCE CURVE



Performance : 220/415 V 50 Hz 4P

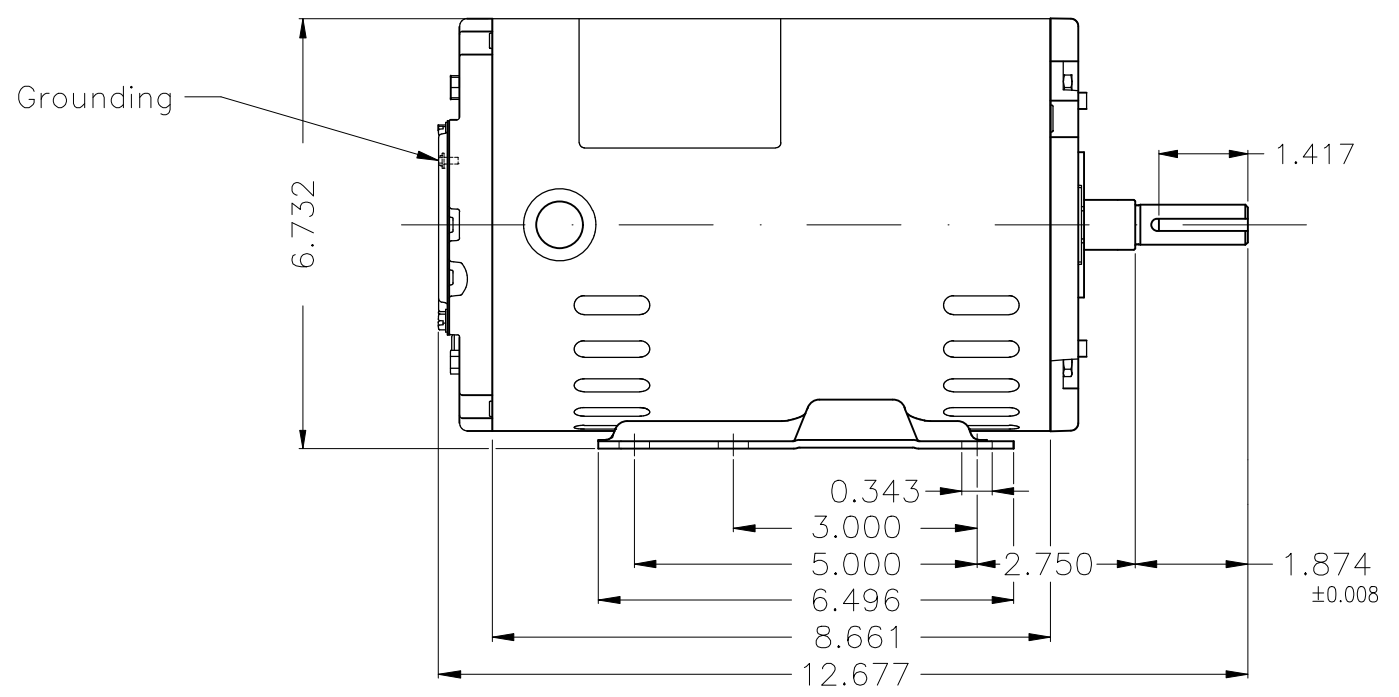
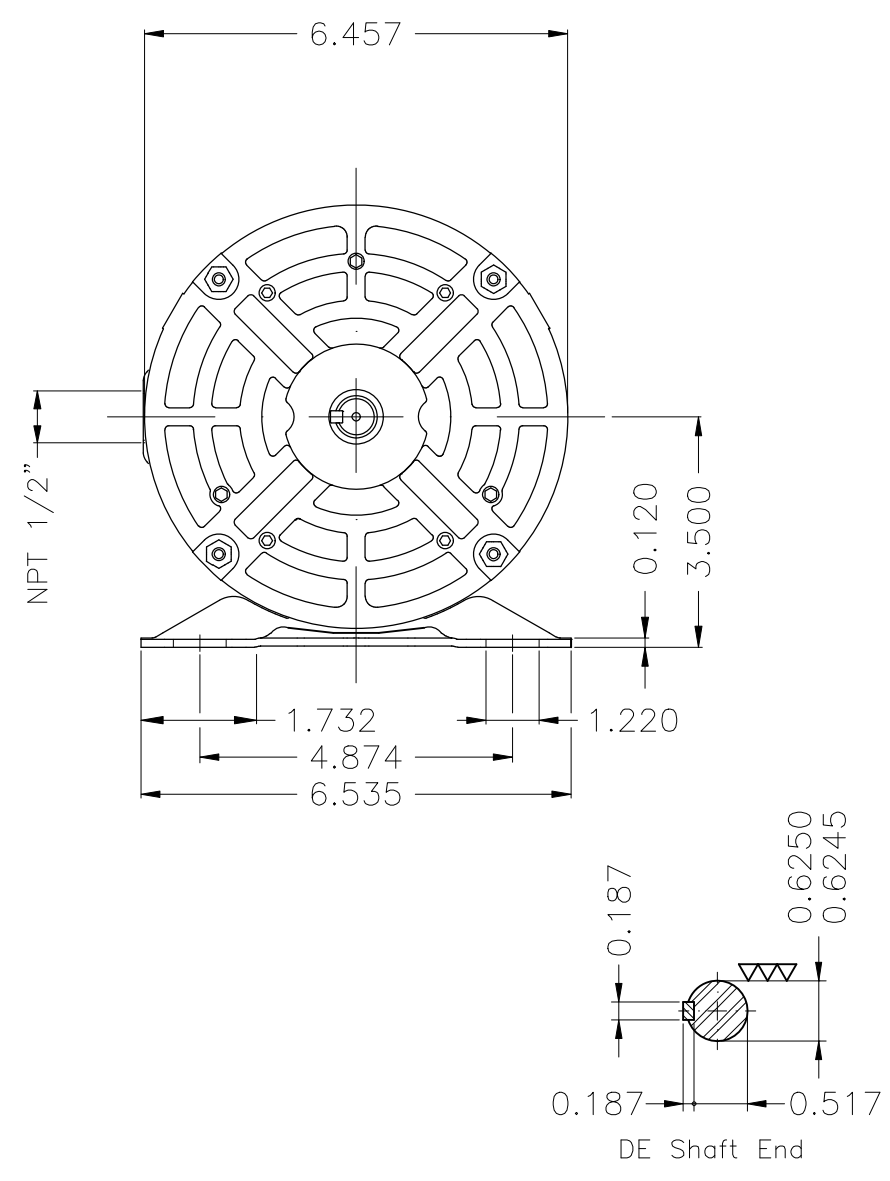
Rated current : 5.79/3.07 A
 LRC : 6.7
 Rated torque : 1.02 kgfm
 Locked rotor torque : 250 %
 Breakdown torque : 280 %
 Rated speed : 1430 rpm

Moment of inertia (J) : 0.0049 kgm²
 Duty cycle : Cont.(S1)
 Insulation class : F
 Service factor : 1.00
 Temperature rise : 80 K
 Design : A

Rev.	Changes Summary	Performed	Checked	Date
Performed by			Page 4 / 4	Revision
Checked by				
Date	17/05/2022			

1 2 3 4 5 6

A
B
C
D
E



Color Munsell N 1 matte black						
Painting plan 207N						
Mounting F-1/B3R(D)						
					HYBRISUSER	00
ECM	LOC	SUMMARY OF MODIFICATIONS		EXECUTED	CHECKED	RELEASED
EXECUTED	HYBRISUSER	THREE PH. MOTOR ROLLED STEEL PREM. EFF.			PREVIEW	
CHECKED		FRAME 56H IP21 ODP			WDD	00
RELEASED						
REL. DATE		WMO	Jaragua do Sul	Product Engineering	SHEET	1 / 1

2 HP 04 Poles 60 Hz

A



Dimensions in inches XME A3