

# DATA SHEET

## Three Phase Induction Motor - Squirrel Cage



Customer : V.J. PAMENSKY CANADA INC.

Product line : W01 - ODP - Premium Efficiency (DOE) Derating Product code : 19133266

Frame	: 56HZ	Cooling method	: IC01 - ODP
Insulation class	: F	Mounting	: F-1/B3R(D)
Duty cycle	: S1	Rotation <sup>1</sup>	: Both
Ambient temperature	: -20 °C to +40 °C	Starting method	: Direct On Line
Altitude	: 3280 ft	Approx. weight <sup>3</sup>	: 37.7 lb
Protection degree	: IP21	Moment of inertia (J)	: 0.1305 sq.ft.lb
Design	: A		

Output	1.5 HP (1.1 kW)	1.5 HP (1.1 kW)	1.5 HP (1.1 kW)
Poles	4	4	4
Frequency	60 Hz	50 Hz	50 Hz
Rated voltage	230/460 V	190/380 V	220/415 V
Rated current	4.20/2.10 A	4.94/2.47 A	4.51/2.39 A
L. R. Amperes	37.0/18.5 A	33.6/16.8 A	35.2/18.6 A
LRC	8.8	6.8	7.8
No load current	2.60/1.30 A	2.61/1.30 A	2.91/1.54 A
Rated speed	1760 rpm	1445 rpm	1455 rpm
Slip	2.22 %	3.67 %	3.00 %
Rated torque	4.41 ft.lb	5.37 ft.lb	5.34 ft.lb
Locked rotor torque	290 %	220 %	280 %
Pull up torque	245 %	185 %	235 %
Breakdown torque	350 %	280 %	340 %
Service factor	1.15	1.15	1.15
Temperature rise	80 K	80 K	80 K
Noise level <sup>2</sup>	52.0 dB(A)	49.0 dB(A)	49.0 dB(A)
Locked rotor time (hot)	14 s	15 s	12 s
Locked rotor time (cold)	25 s	27 s	22 s
Efficiency (%)	50%	84.0	83.7
	75%	85.5	84.7
	100%	86.5	83.6
Power Factor	50%	0.53	0.61
	75%	0.66	0.74
	100%	0.76	0.81

Bearing type	Drive end	Non drive end	Foundation loads
	6204-ZZ	6202-ZZ	
Lubrication interval	-	-	Max. compression :
Lubricant amount	-	-	Load type :-
Lubricant type	MOBIL POLYREX EM		Load torque :-
			Load inertia (J=GD <sup>2</sup> /4) :-

Notes  
See notes on page 2.

This revision replaces and cancel the previous one, which must be eliminated.

- (1) Looking the motor from the shaft end.
- (2) Measured at 1m and with tolerance of +3dB(A).
- (3) Approximate weight, subject to be changed after manufacturing process.

These are average values based on tests with sinusoidal power supply, subject to the tolerances stipulated in NEMA MG 1-12.

Rev.	Changes Summary	Rev.	Checked	Date
Performed by	farazq		1848557997	
Checked by	AUTOMATICO		Page	Rev.
Date	14/05/2026		1 / 2	0

# DATA SHEET

## Three Phase Induction Motor - Squirrel Cage



Customer : V.J. PAMENSKY CANADA INC.

Product line : W01 - ODP - Premium Efficiency (DOE) Derating Product code : 19133266

Thermal protection ID	Application	Type	Quantity	Sensing Temperature
-----------------------	-------------	------	----------	---------------------

Notes  
 USABLE @208V 4.64A SF 1.00 SFA 4.64A

Standards	Specification : MG1 - Part 10	Vibration : MG1 - Part 7
	Test : MG1 - Part 12	Tolerance : MG1 - Part 12
	Noise : MG1 - Part 9	

This revision replaces and cancel the previous one, which must be eliminated.  
 (1) Looking the motor from the shaft end.  
 (2) Measured at 1m and with tolerance of +3dB(A).  
 (3) Approximate weight, subject to be changed after manufacturing process.

These are average values based on tests with sinusoidal power supply, subject to the tolerances stipulated in NEMA MG 1-12.

Rev.	Changes Summary	Rev.	Checked	Date	
Performed by	farazq	1848557997			
Checked by	AUTOMATICO			Page	Rev.
Date	14/05/2026			2 / 2	0

No reproduction of this drawing is allowed without written permission of WEG Motores

EIXO	
PADRÃO	
OPCIONAL	
ESPECIAL	X

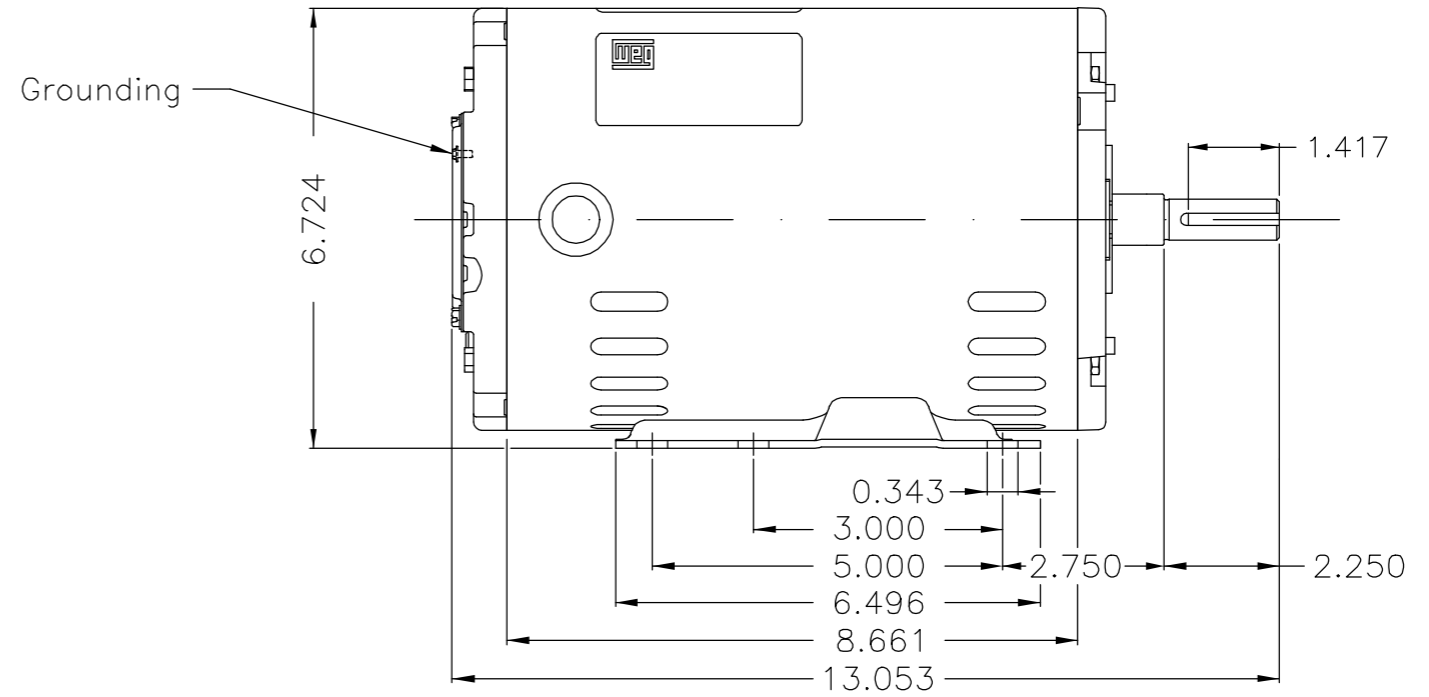
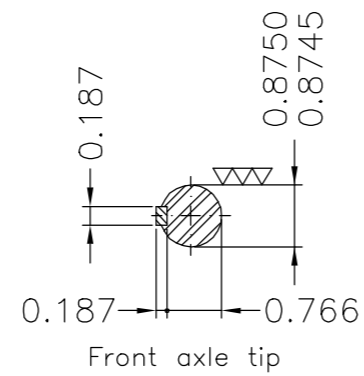
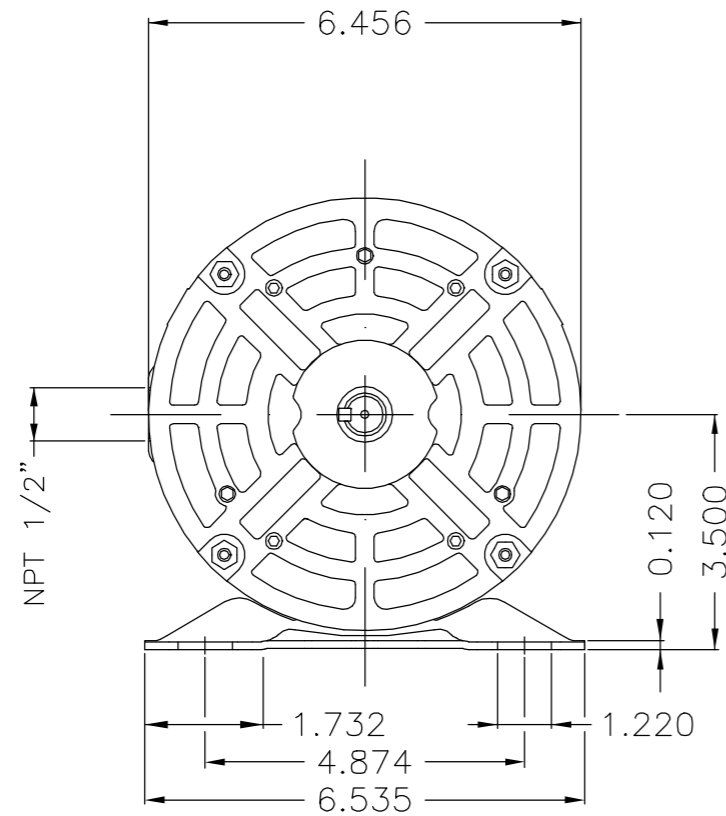
Dimensiones en pulgadas

Dimensions in inches

**DOCUMENTO PRELIMINAR**

No debe ser utilizado para fines de instalación

THIS IS AN UPDATED REVISION, THE PREVIOUS ONE MUST BE DISREGARDED.



Color Munsell N 1 matte black / Color Munsell N 1 negro mate  
 Painting plan 207N / Plan de pintura 207N  
 Mounting F-1/B3R(D) / Forma constructiva F-1/B3R(D)  
**V.J. PAMENSKY CANADA INC.**

500001270387		ALT. CONFORME AL CLAIM: 414555053	CASTELAN		CESTRELLA	02.02.2017	01
500001268889		NEW DOCUMENT	CMARQUEZ		ALDOV	30.01.2017	00
No MODIFICACION ECM	LOC LOC	RESUMEN DE MODIFICACIONES SUMMARY OF MODIFICATIONS	EJECUTADO EXECUTED	VERIFICADO CHECKED	LIBERADO RELEASED	FECHA DATE	VER VER
EJEC. /EXECUTED	CMARQUEZ	MOTOR TRIF ODP ROLLED STEEL PREM. EFF. FRAME 56HZ IP21	10004731945				
VERIF. /CHECKED			000	01			
LIBER. /RELEASED	ALDOV						
FECHA LB/REL DT	30.01.2017	WMX	HUEHUETOCA	INGENIERIA DEL PRODUCTO			

A  
B  
C  
D  
E

COPIA SIN CONTROL

LIBERADO

ZME A3