

DATA SHEET

Three Phase Induction Motor - Squirrel Cage



Customer	:		
Product line	: Standard Efficiency Three-Phase	Product code :	13502196
Frame	: 56H	Cooling method	: IC01 - ODP
Insulation class	: F	Mounting	: F-1
Duty cycle	: Cont.(S1)	Rotation ¹	: Both (CW and CCW)
Ambient temperature	: -20°C to +40°C	Starting method	: Direct On Line
Altitude	: 1000 m.a.s.l.	Approx. weight ³	: 13.2 kg
Design	: A	Moment of inertia (J)	: 0.0038 kgm ²
Output [HP]	1.5	1.5	1.5
Poles	4	4	4
Frequency [Hz]	60	50	50
Rated voltage [V]	230/460	190/380	220/415
Rated current [A]	4.60/2.30	5.18/2.59	4.89/2.59
L. R. Amperes [A]	31.7/15.9	28.5/14.2	29.3/15.5
LRC [A]	6.9x(Code K)	5.5x(Code G)	6.0x(Code J)
No load current [A]	3.20/1.60	3.00/1.50	3.96/2.10
Rated speed [RPM]	1745	1420	1435
Slip [%]	3.06	5.33	4.33
Rated torque [kgfm]	0.624	0.767	0.759
Locked rotor torque [%]	250	170	210
Breakdown torque [%]	280	210	250
Service factor		1.00	1.00
Temperature rise	80 K	105 K	105 K
Locked rotor time	18s (cold) 10s (hot)	0s (cold) 0s (hot)	0s (cold) 0s (hot)
Noise level ²	52.0 dB(A)	49.0 dB(A)	49.0 dB(A)
Efficiency (%)	25%		
	50%	75.5	71.5
	75%	78.5	76.1
	100%	80.0	76.8
Power Factor	25%		
	50%	0.51	0.51
	75%	0.65	0.66
	100%	0.75	0.77
Bearing type	: <u>Drive end</u> 6204 ZZ <u>Non drive end</u> 6202 ZZ	Foundation loads	
Sealing	: Without Bearing Seal Without Bearing Seal	Max. traction	: 54 kgf
		Max. compression	: 67 kgf
Lubrication interval	: -		
Lubricant amount	: -		
Lubricant type	: Mobil Polyrex EM		
Notes USABLE @208V 5.09A SF 1.00 SFA 5.09A			
This revision replaces and cancel the previous one, which must be eliminated. (1) Looking the motor from the shaft end. (2) Measured at 1m and with tolerance of +3dB(A). (3) Approximate weight subject to changes after manufacturing process. (4) At 100% of full load.		These are average values based on tests with sinusoidal power supply, subject to the tolerances stipulated in NEMA MG-1.	
Rev.	Changes Summary	Performed	Checked
			Date
Performed by			
Checked by			Page
Date	17/05/2022		Revision
			1 / 4

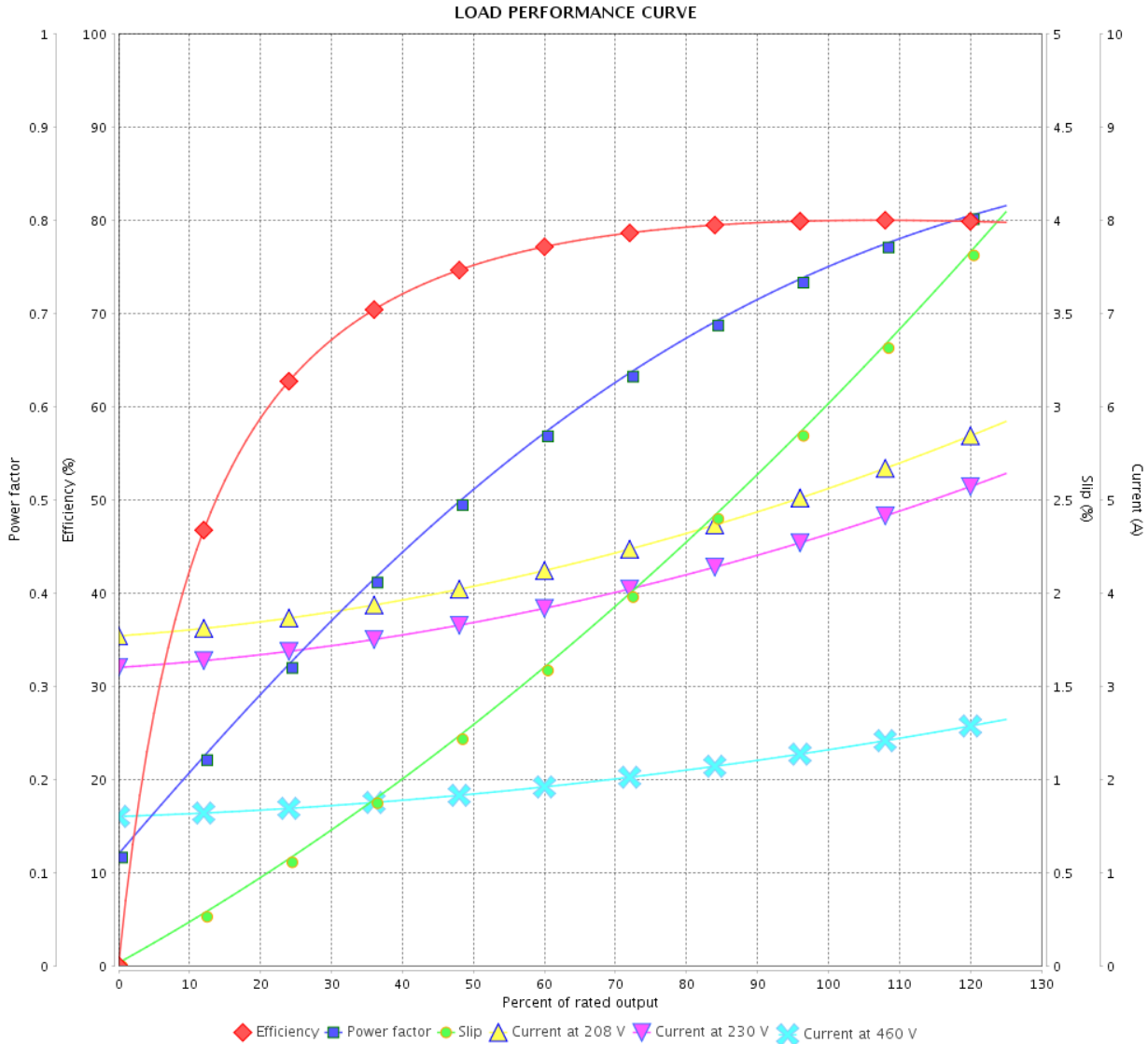
LOAD PERFORMANCE CURVE

Three Phase Induction Motor - Squirrel Cage



Customer :

Product line : Standard Efficiency Three-Phase Product code : 13502196



Performance : 230/460 V 60 Hz 4P

Rated current : 4.60/2.30 A
 LRC : 6.9
 Rated torque : 0.624 kgfm
 Locked rotor torque : 250 %
 Breakdown torque : 280 %
 Rated speed : 1745 rpm

Moment of inertia (J) : 0.0038 kgm²
 Duty cycle : Cont.(S1)
 Insulation class : F
 Service factor :
 Temperature rise : 80 K
 Design : A

Rev.	Changes Summary	Performed	Checked	Date
Performed by			Page	Revision
Checked by				
Date				

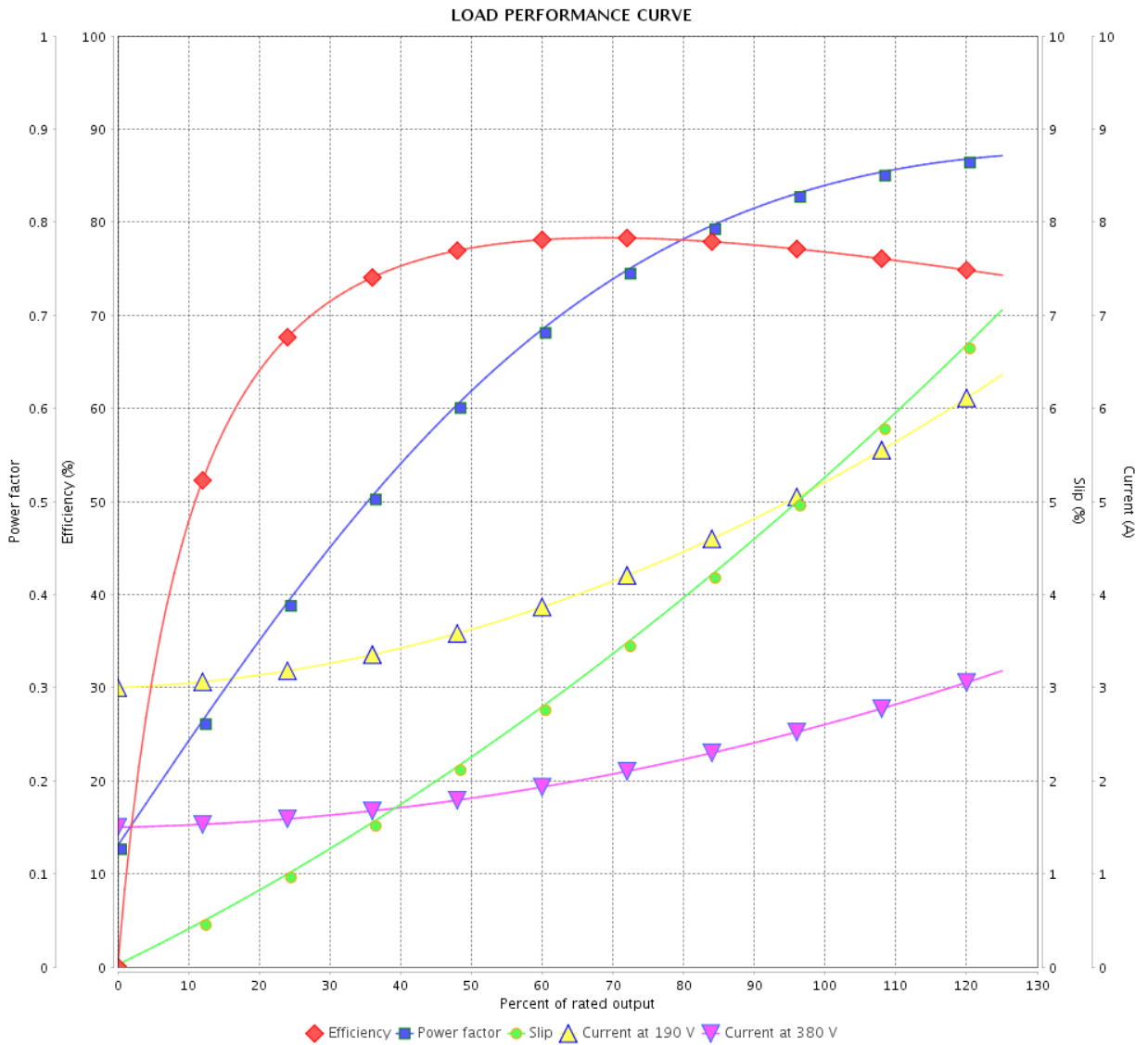
LOAD PERFORMANCE CURVE

Three Phase Induction Motor - Squirrel Cage



Customer : _____

Product line : Standard Efficiency Three-Phase Product code : 13502196



Performance : 190/380 V 50 Hz 4P

Rated current : 5.18/2.59 A
 LRC : 5.5
 Rated torque : 0.767 kgfm
 Locked rotor torque : 170 %
 Breakdown torque : 210 %
 Rated speed : 1420 rpm

Moment of inertia (J) : 0.0038 kgm²
 Duty cycle : Cont.(S1)
 Insulation class : F
 Service factor : 1.00
 Temperature rise : 105 K
 Design : A

Rev.	Changes Summary	Performed	Checked	Date
Performed by			Page	Revision
Checked by				
Date				

LOAD PERFORMANCE CURVE

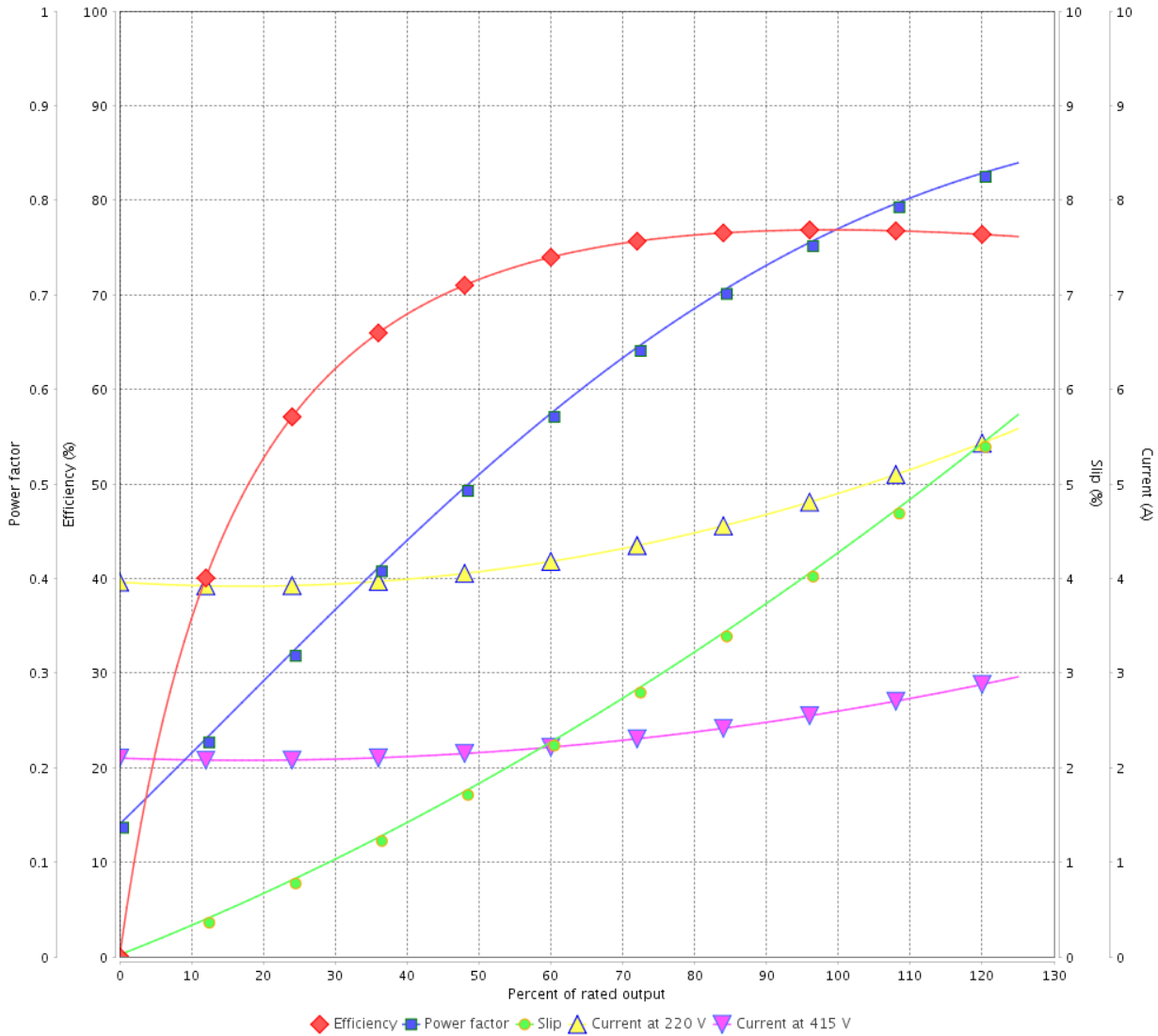
Three Phase Induction Motor - Squirrel Cage



Customer : _____

Product line : Standard Efficiency Three-Phase Product code : 13502196

LOAD PERFORMANCE CURVE



Performance : 220/415 V 50 Hz 4P

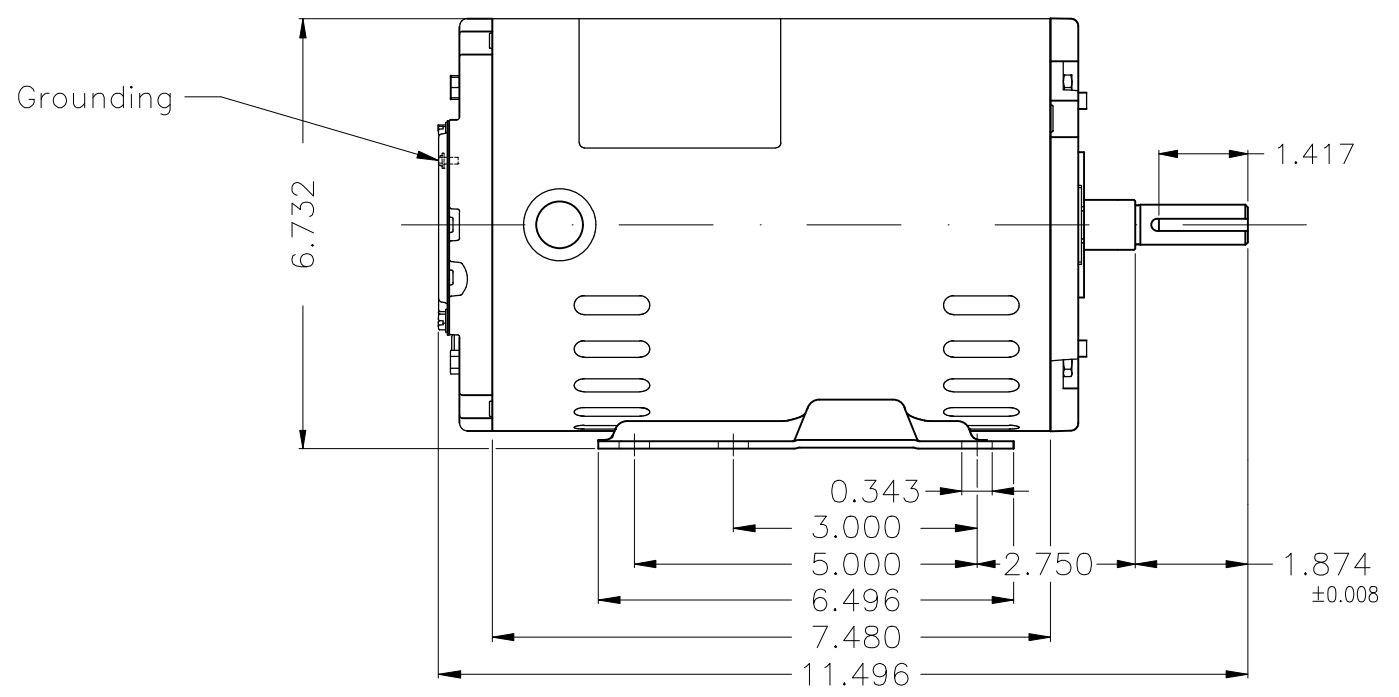
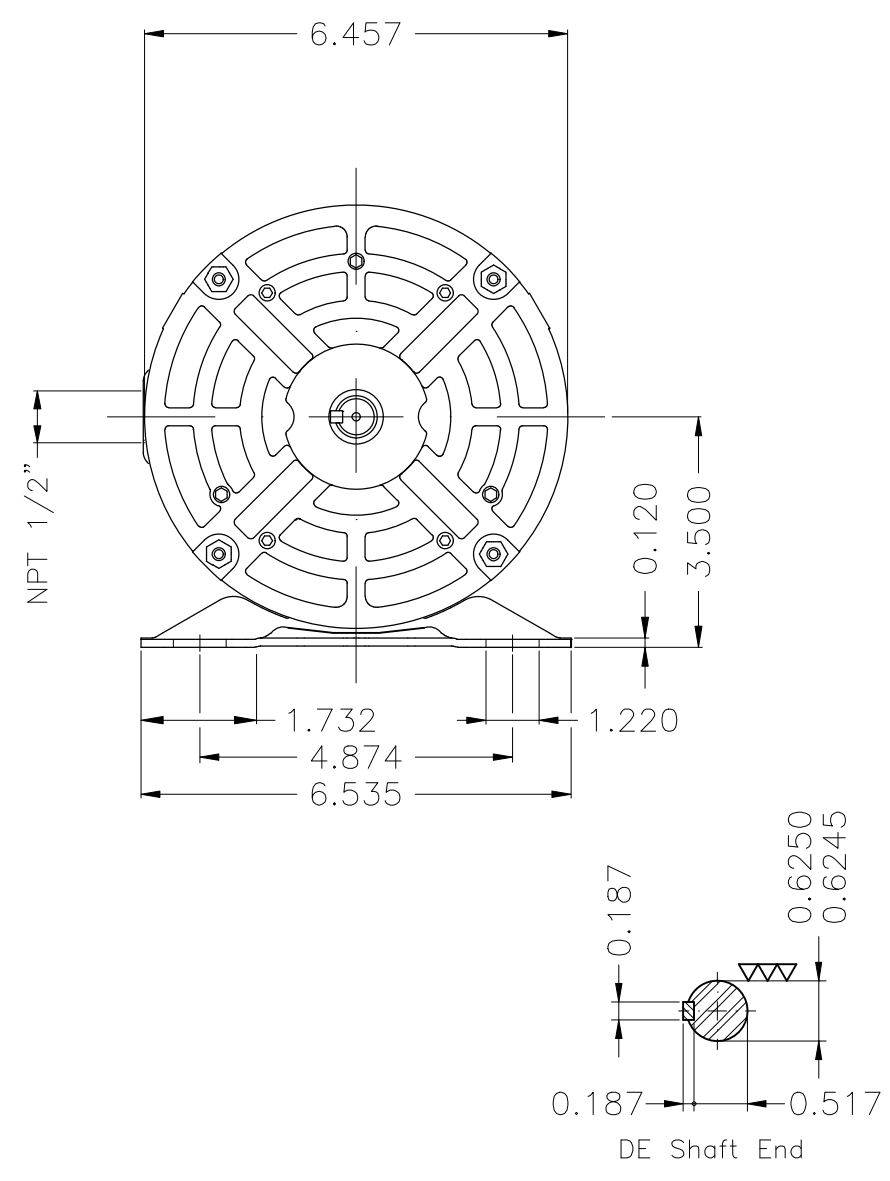
Rated current : 4.89/2.59 A
 LRC : 6.0
 Rated torque : 0.759 kgfm
 Locked rotor torque : 210 %
 Breakdown torque : 250 %
 Rated speed : 1435 rpm

Moment of inertia (J) : 0.0038 kgm²
 Duty cycle : Cont.(S1)
 Insulation class : F
 Service factor : 1.00
 Temperature rise : 105 K
 Design : A

Rev.	Changes Summary	Performed	Checked	Date
Performed by			Page 4 / 4	Revision
Checked by				
Date	17/05/2022			

1 2 3 4 5 6

A
B
C
D
E



Color Munsell N 1 matte black						
Painting plan 207N						
Mounting F-1/B3R(D)						
					HYBRISUSER	00
ECM	LOC	SUMMARY OF MODIFICATIONS		EXECUTED	CHECKED	RELEASED
EXECUTED	HYBRISUSER	THREE PH. MOTOR ROLLED STEEL			PREVIEW	
CHECKED		FRAME 56H IP21 ODP			WDD	00
RELEASED						
REL. DATE	WMO	Jaragua do Sul	Product Engineering	SHEET	1 / 1	

1.5 HP 04 Poles 60 Hz

A



Dimensions in inches XME A3