

# DATA SHEET

## Three Phase Induction Motor - Squirrel Cage



Customer :				
Product line	: Three-Phase	Product code :	13623813	
Frame	: 56	Cooling method	: IC01 - ODP	
Insulation class	: F	Mounting	: F-1	
Duty cycle	: Cont.(S1)	Rotation <sup>1</sup>	: Both (CW and CCW)	
Ambient temperature	: -20°C to +40°C	Starting method	: Direct On Line	
Altitude	: 1000 m.a.s.l.	Approx. weight <sup>3</sup>	: 10.7 kg	
		Moment of inertia (J)	: 0.0030 kgm <sup>2</sup>	
Output [HP]	0.75			
Poles	4			
Frequency [Hz]	60			
Rated voltage [V]	575			
Rated current [A]	0.920			
L. R. Amperes [A]	6.72			
LRC [A]	7.3x(Code K)			
No load current [A]	0.640			
Rated speed [RPM]	1760			
Slip [%]	2.22			
Rated torque [kgfm]	0.309			
Locked rotor torque [%]	250			
Breakdown torque [%]	300			
Service factor	1.25			
Temperature rise	80 K			
Locked rotor time	37s (cold) 21s (hot)			
Noise level <sup>2</sup>	52.0 dB(A)			
Efficiency (%)	25%			
	50%	74.0		
	75%	78.5		
	100%	81.1		
Power Factor	25%			
	50%	0.52		
	75%	0.65		
	100%	0.74		
Bearing type	: <u>Drive end</u> 6203 ZZ	<u>Non drive end</u> 6202 ZZ	Foundation loads	
Sealing	: Without	Without	Max. traction : 24 kgf	
	Bearing Seal	Bearing Seal	Max. compression : 35 kgf	
Lubrication interval	: -	-		
Lubricant amount	: -	-		
Lubricant type	: Mobil Polyrex EM			
Notes				
This revision replaces and cancel the previous one, which must be eliminated. (1) Looking the motor from the shaft end. (2) Measured at 1m and with tolerance of +3dB(A). (3) Approximate weight subject to changes after manufacturing process. (4) At 100% of full load.		These are average values based on tests with sinusoidal power supply, subject to the tolerances stipulated in NEMA MG-1.		
Rev.	Changes Summary	Performed	Checked	Date
Performed by				
Checked by			Page	Revision
Date	17/05/2022		1 / 2	

# LOAD PERFORMANCE CURVE

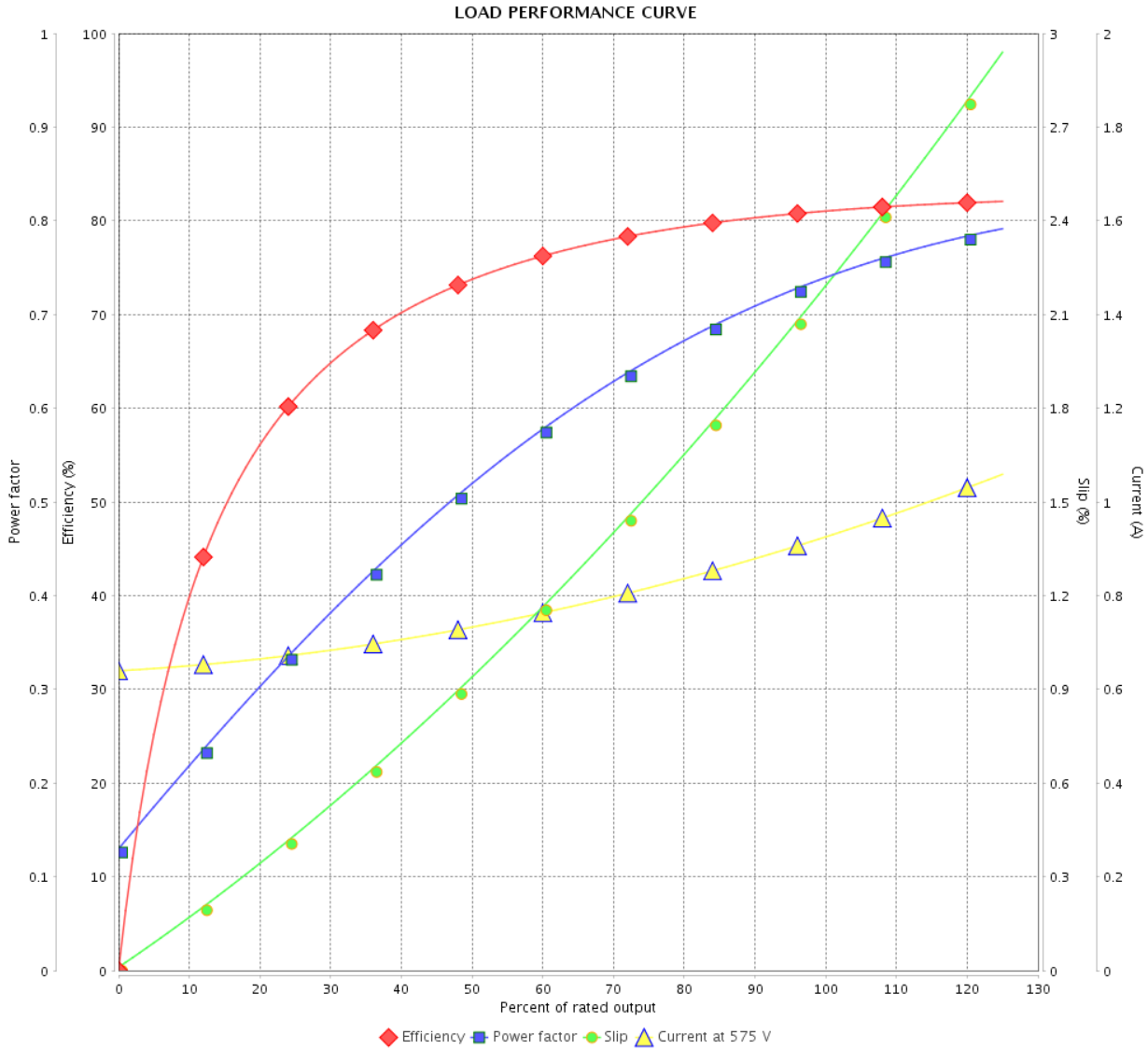
Three Phase Induction Motor - Squirrel Cage



Customer : \_\_\_\_\_

Product line : Three-Phase

Product code : 13623813

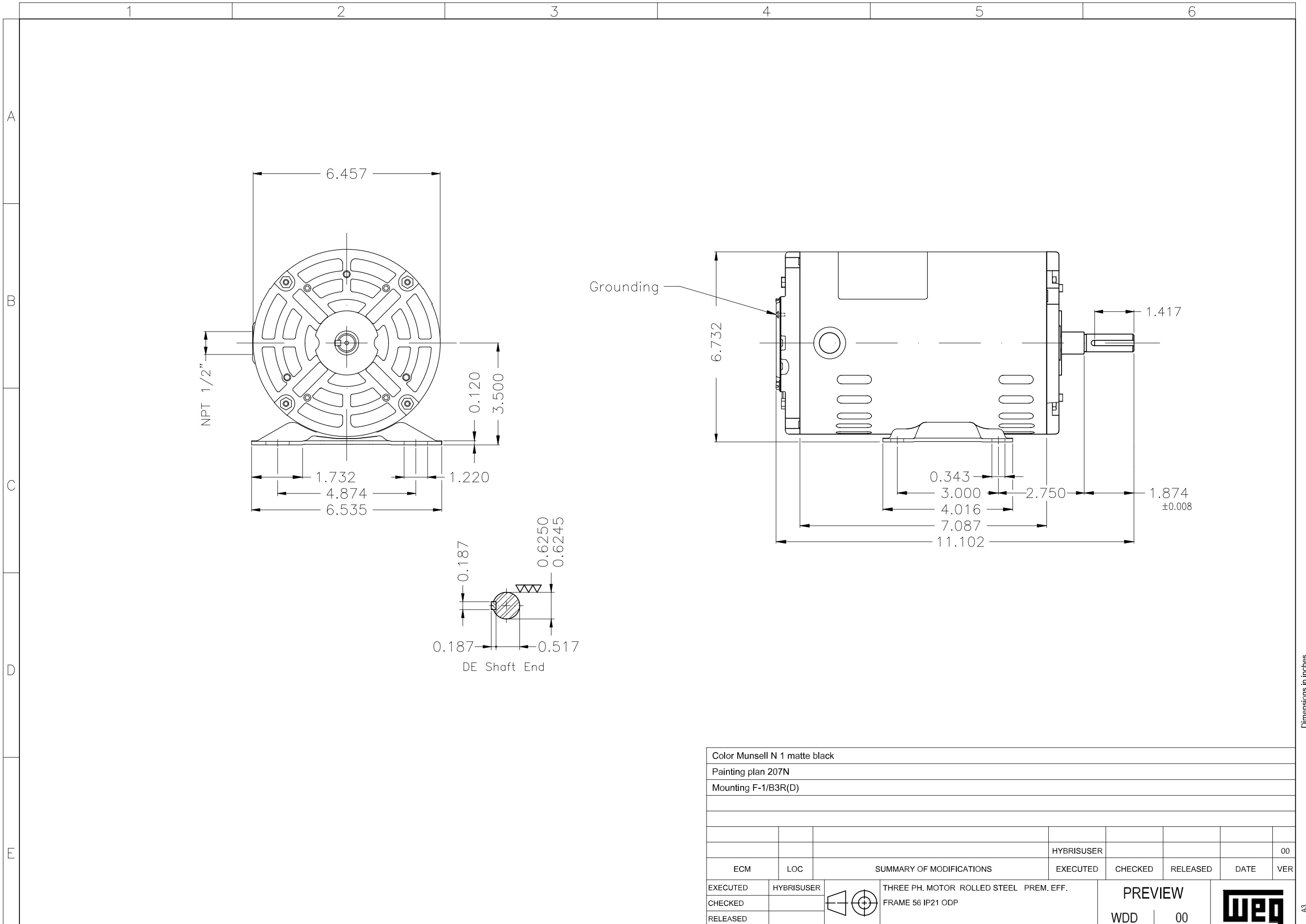


Performance : 575 V 60 Hz 4P

Rated current : 0.920 A  
 LRC : 7.3  
 Rated torque : 0.309 kgfm  
 Locked rotor torque : 250 %  
 Breakdown torque : 300 %  
 Rated speed : 1760 rpm

Moment of inertia (J) : 0.0030 kgm<sup>2</sup>  
 Duty cycle : Cont.(S1)  
 Insulation class : F  
 Service factor : 1.25  
 Temperature rise : 80 K

Rev.	Changes Summary	Performed	Checked	Date
Performed by			Page 2 / 2	Revision
Checked by				
Date	17/05/2022			



Grounding

Color Munsell N 1 matte black  
 Painting plan 207N  
 Mounting F-1/B3R(D)

							HYBRISUSER					00
ECM	LOC	SUMMARY OF MODIFICATIONS				EXECUTED	CHECKED	RELEASED	DATE	VER		

EXECUTED	HYBRISUSER		THREE PH. MOTOR ROLLED STEEL PREM. EFF.	<b>PREVIEW</b> WDD   00	
CHECKED			FRAME 56 IP21 ODP		
RELEASED					

0.75 HP 04 Poles 60 Hz

A	REL. DATE	WMO	Jaragua do Sul	Product Engineering	SHEET	1 / 1
---	-----------	-----	----------------	---------------------	-------	-------