

DATA SHEET

Three Phase Induction Motor - Squirrel Cage



Customer :				
Product line	: Three-Phase	Product code :	13737451	
Frame	: 56	Cooling method	: IC01 - ODP	
Insulation class	: F	Mounting	: F-1	
Duty cycle	: Cont.(S1)	Rotation ¹	: Both (CW and CCW)	
Ambient temperature	: -20°C to +40°C	Starting method	: Direct On Line	
Altitude	: 1000 m.a.s.l.	Approx. weight ²	: 10.7 kg	
		Moment of inertia (J)	: 0.0030 kgm ²	
Output [HP]	0.75	0.75	0.75	
Poles	4	4	4	
Frequency [Hz]	60	50	50	
Rated voltage [V]	208-230/460	190/380	220/415	
Rated current [A]	2.54-2.30/1.15	2.62/1.31	2.43/1.29	
L. R. Amperes [A]	18.5-16.8/8.40	14.9/7.47	15.6/8.26	
LRC [A]	7.3x(Code K)	5.7x(Code H)	6.4x(Code J)	
No load current [A]	1.38-1.60/0.800	1.53/0.763	1.73/0.917	
Rated speed [RPM]	1760	1445	1455	
Slip [%]	2.22	3.67	3.00	
Rated torque [kgfm]	0.309	0.377	0.374	
Locked rotor torque [%]	250	170	210	
Breakdown torque [%]	300	240	290	
Service factor		1.15	1.15	
Temperature rise	80 K	80 K	80 K	
Locked rotor time	37s (cold) 21s (hot)	43s (cold) 24s (hot)	36s (cold) 20s (hot)	
Noise level ²	52.0 dB(A)	49.0 dB(A)	49.0 dB(A)	
Efficiency (%)	25%			
	50%	74.0	73.6	
	75%	78.5	77.8	
	100%	81.1	78.9	
Power Factor	25%			
	50%	0.52	0.52	
	75%	0.65	0.65	
	100%	0.74	0.75	
Bearing type	: <u>Drive end</u> 6203 ZZ <u>Non drive end</u> 6202 ZZ	Foundation loads		
Sealing	: Without Bearing Seal Without Bearing Seal	Max. traction	: 29 kgf	
		Max. compression	: 40 kgf	
Lubrication interval	: -			
Lubricant amount	: -			
Lubricant type	: Mobil Polyrex EM			
Notes USABLE @208V SF 1.00				
This revision replaces and cancel the previous one, which must be eliminated. (1) Looking the motor from the shaft end. (2) Measured at 1m and with tolerance of +3dB(A). (3) Approximate weight subject to changes after manufacturing process. (4) At 100% of full load.		These are average values based on tests with sinusoidal power supply, subject to the tolerances stipulated in NEMA MG-1.		
Rev.	Changes Summary	Performed	Checked	Date
Performed by				
Checked by			Page	Revision
Date	17/05/2022		1 / 4	

LOAD PERFORMANCE CURVE

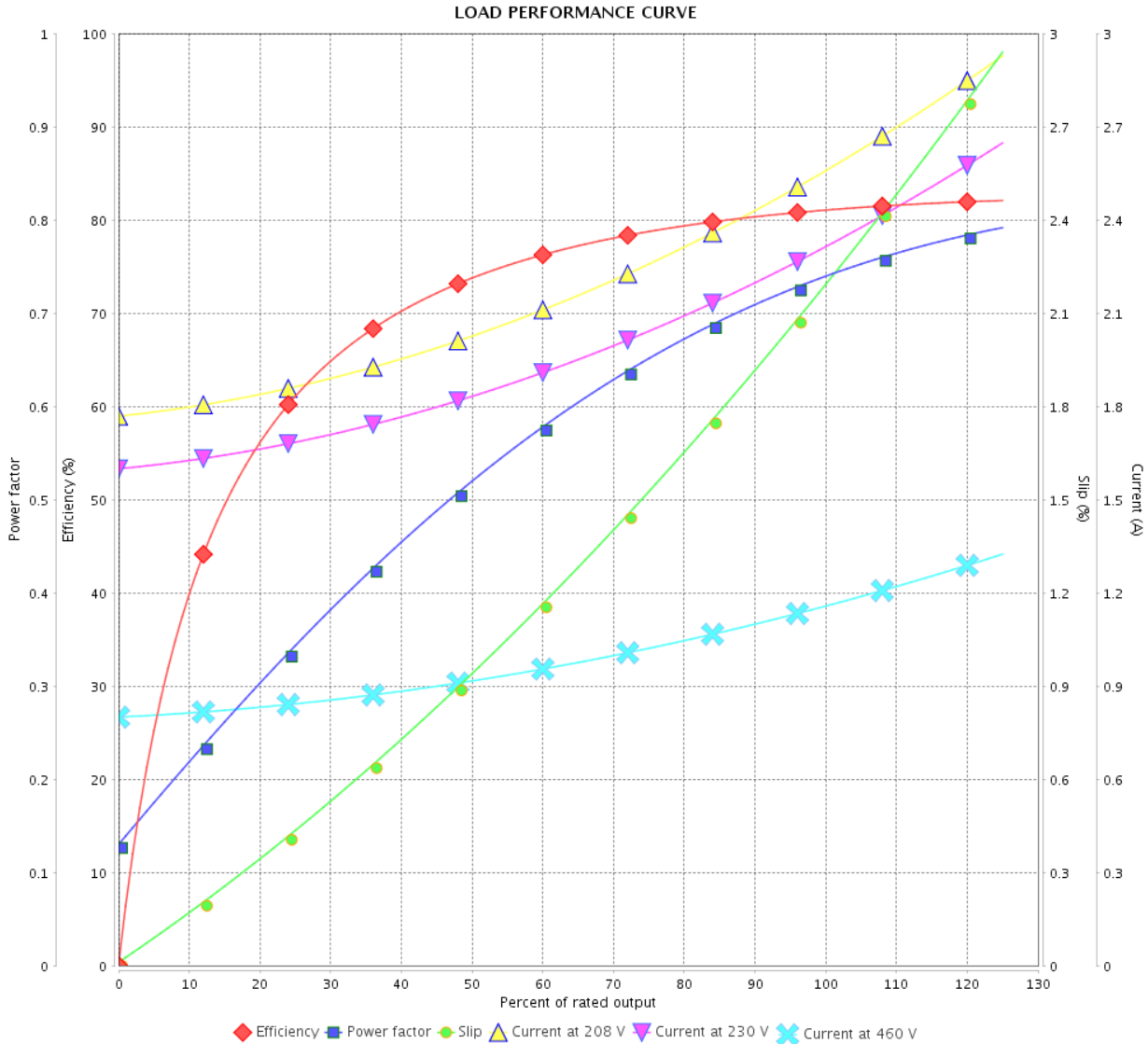
Three Phase Induction Motor - Squirrel Cage



Customer :

Product line : Three-Phase

Product code : 13737451



Performance : 208-230/460 V 60 Hz 4P

Rated current : 2.54-2.30/1.15 A
 LRC : 7.3
 Rated torque : 0.309 kgfm
 Locked rotor torque : 250 %
 Breakdown torque : 300 %
 Rated speed : 1760 rpm

Moment of inertia (J) : 0.0030 kgm²
 Duty cycle : Cont.(S1)
 Insulation class : F
 Service factor :
 Temperature rise : 80 K

Rev.	Changes Summary	Performed	Checked	Date
Performed by			Page	Revision
Checked by				
Date				

LOAD PERFORMANCE CURVE

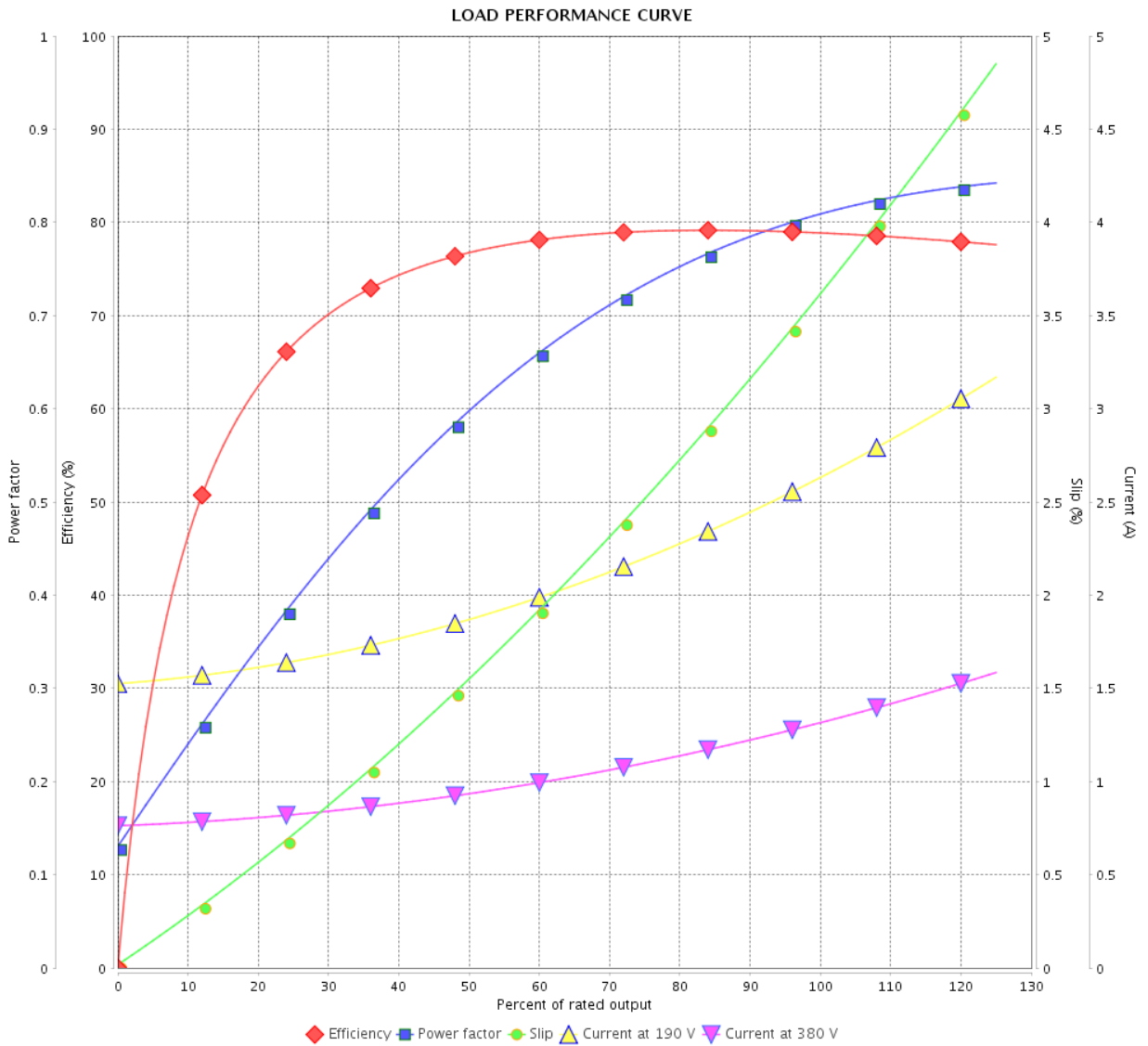
Three Phase Induction Motor - Squirrel Cage



Customer : _____

Product line : Three-Phase

Product code : 13737451



Performance : 190/380 V 50 Hz 4P

Rated current : 2.62/1.31 A
 LRC : 5.7
 Rated torque : 0.377 kgfm
 Locked rotor torque : 170 %
 Breakdown torque : 240 %
 Rated speed : 1445 rpm

Moment of inertia (J) : 0.0030 kgm²
 Duty cycle : Cont.(S1)
 Insulation class : F
 Service factor : 1.15
 Temperature rise : 80 K

Rev.	Changes Summary	Performed	Checked	Date
Performed by			Page 3 / 4	Revision
Checked by				
Date				

LOAD PERFORMANCE CURVE

Three Phase Induction Motor - Squirrel Cage

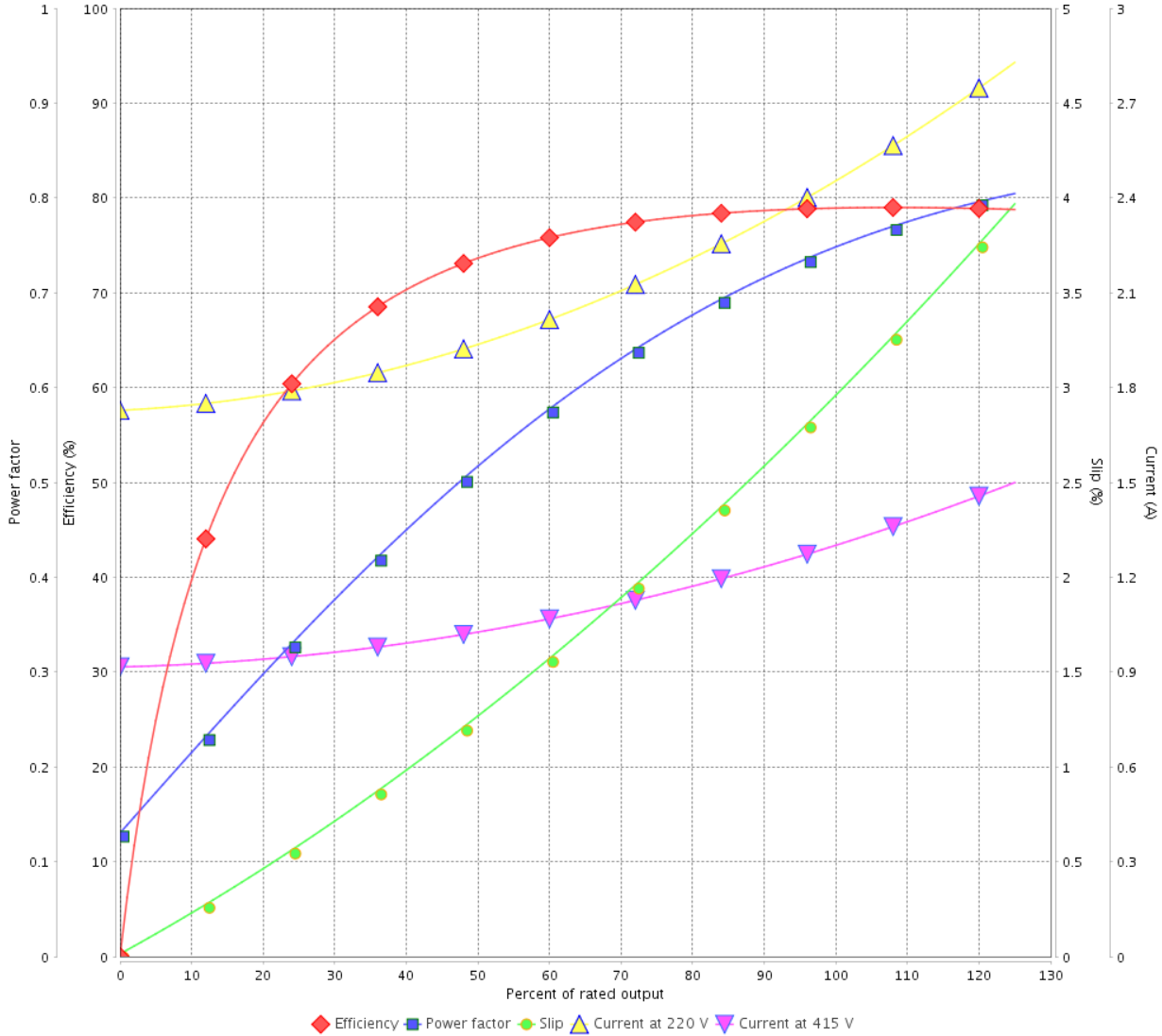


Customer :

Product line : Three-Phase

Product code : 13737451

LOAD PERFORMANCE CURVE

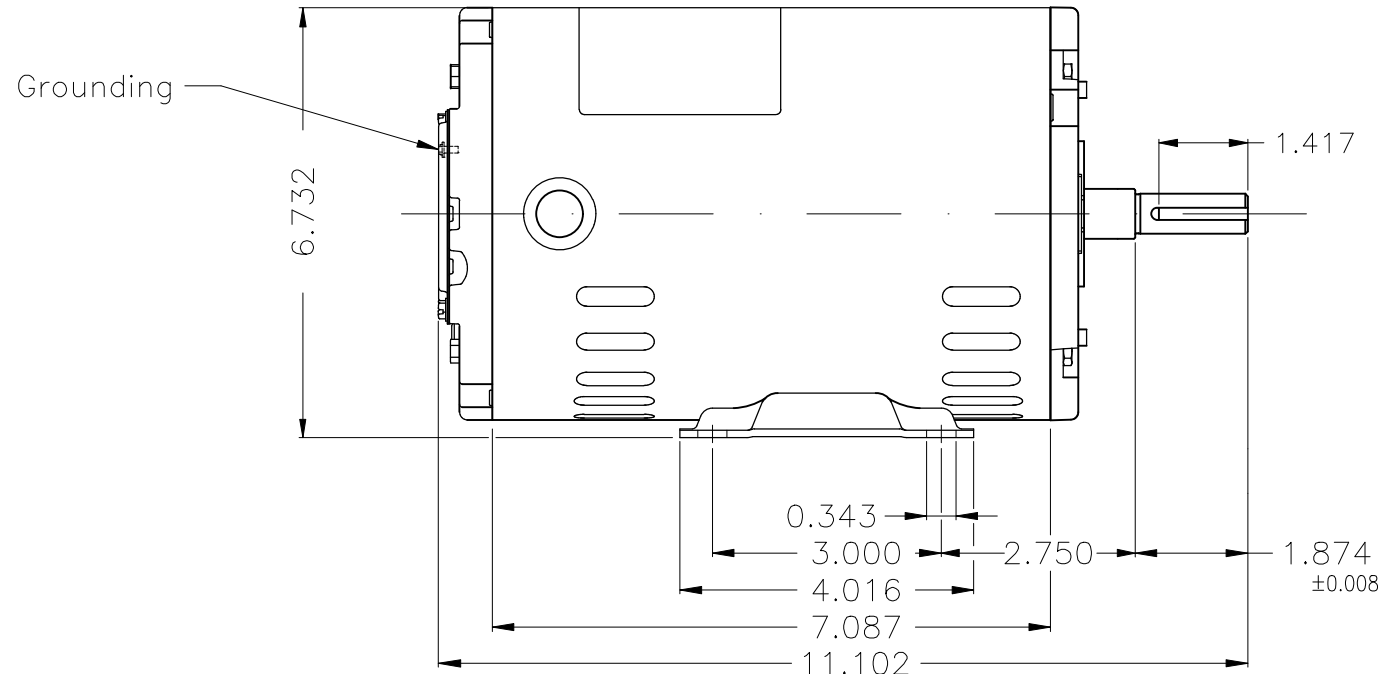
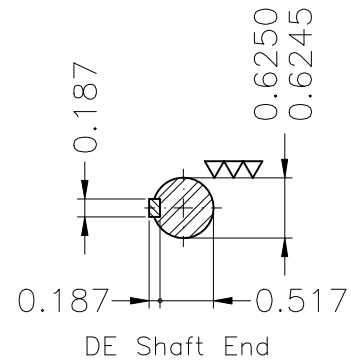
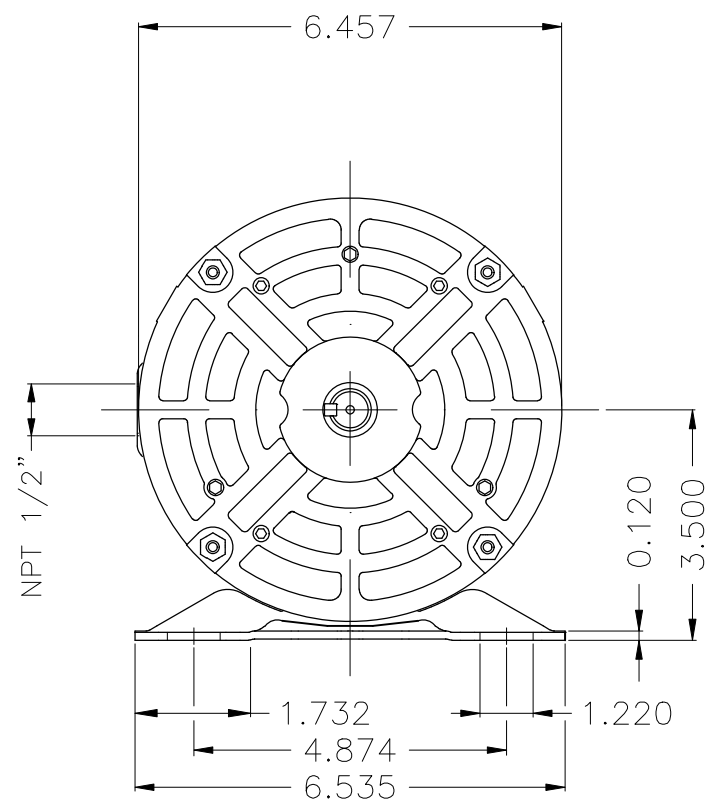
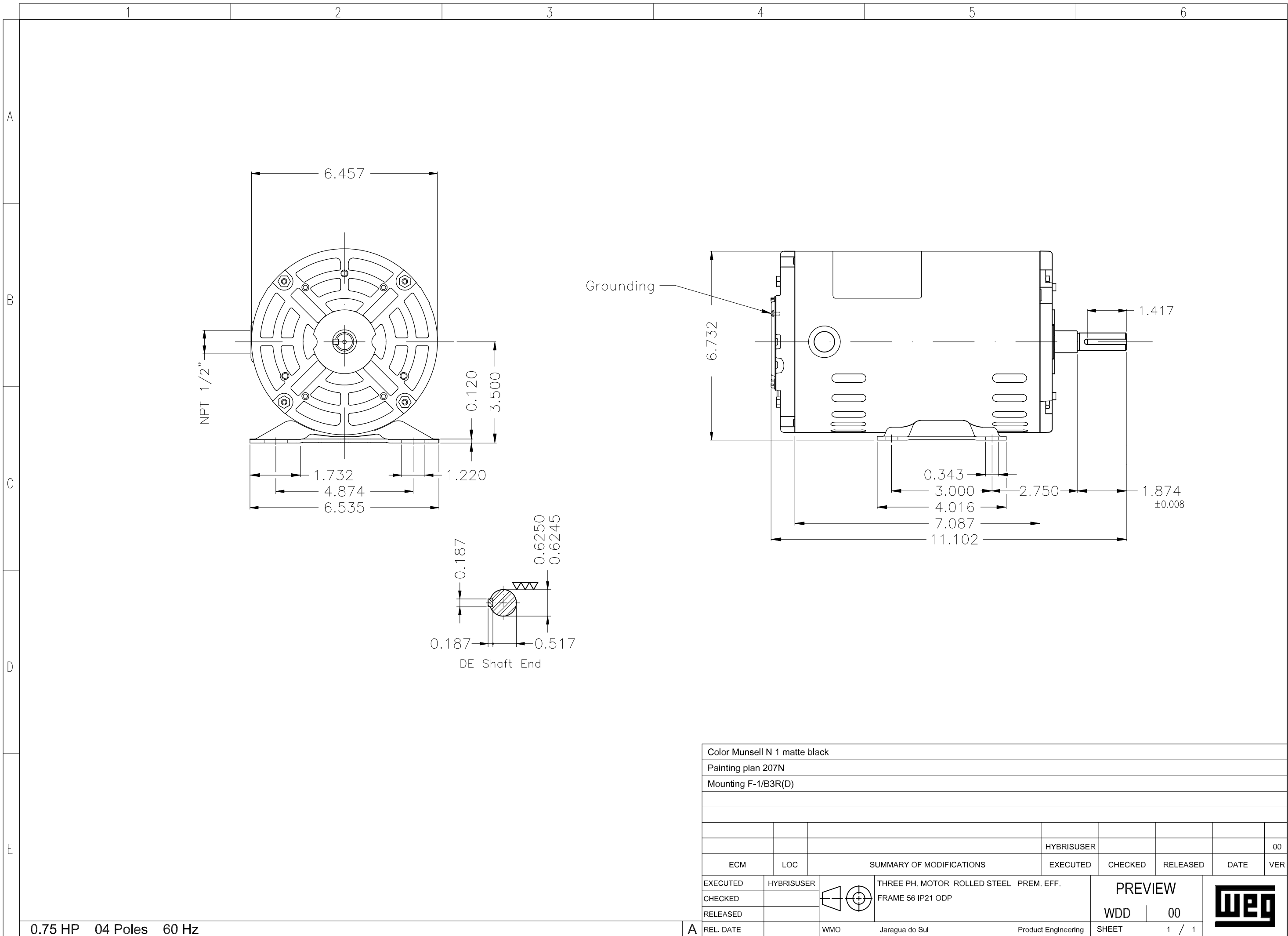


Performance : 220/415 V 50 Hz 4P

Rated current : 2.43/1.29 A
 LRC : 6.4
 Rated torque : 0.374 kgfm
 Locked rotor torque : 210 %
 Breakdown torque : 290 %
 Rated speed : 1455 rpm

Moment of inertia (J) : 0.0030 kgm²
 Duty cycle : Cont.(S1)
 Insulation class : F
 Service factor : 1.15
 Temperature rise : 80 K

Rev.	Changes Summary	Performed	Checked	Date
Performed by			Page 4 / 4	Revision
Checked by				
Date	17/05/2022			



Color Munsell N 1 matte black										
Painting plan 207N										
Mounting F-1/B3R(D)										
								HYBRISUSER	00	
ECM	LOC	SUMMARY OF MODIFICATIONS					EXECUTED	CHECKED	RELEASED	DATE
EXECUTED	HYBRISUSER	THREE PH. MOTOR ROLLED STEEL PREM. EFF.					PREVIEW			
CHECKED		FRAME 56 IP21 ODP					WDD 00			
RELEASED										
REL. DATE		WMO	Jaragua do Sul			Product Engineering	SHEET 1 / 1			

0.75 HP 04 Poles 60 Hz

A

