

DATA SHEET

Single Phase Induction Motor - Squirrel Cage



Customer	:			
Product line	: Single-Phase	Product code : 13630755		
Frame	: 56	Cooling method : IC01 - ODP		
Insulation class	: F	Mounting : F-1		
Duty cycle	: Cont.(S1)	Rotation ¹ : Both (CW and CCW)		
Ambient temperature	: -20°C to +40°C	Starting method : Direct On Line		
Altitude	: 1000 m.a.s.l.	Approx. weight ³ : 15.3 kg		
Design	: N	Moment of inertia (J) : 0.0041 kgm ²		
Output [HP]		0.75		
Poles		4		
Frequency [Hz]		60		
Rated voltage [V]		115/208-230		
Rated current [A]		6.80/3.76-3.40		
L. R. Amperes [A]		54.4/30.1-27.2		
LRC [A]		8.0x(Code K)		
No load current [A]		2.60/1.12-1.30		
Rated speed [RPM]		1750		
Slip [%]		2.78		
Rated torque [kgfm]		0.311		
Locked rotor torque [%]		260		
Breakdown torque [%]		250		
Service factor				
Temperature rise		80 K		
Locked rotor time		36s (cold) 20s (hot)		
Noise level ²		52.0 dB(A)		
Efficiency (%)	25%			
	50%	74.0		
	75%	79.0		
	100%	81.8		
Power Factor	25%			
	50%	0.74		
	75%	0.82		
	100%	0.86		
Bearing type	: <u>Drive end</u> 6203 ZZ <u>Non drive end</u> 6202 ZZ	Foundation loads		
Sealing	: Without Without Bearing Seal Bearing Seal	Max. traction : 17 kgf Max. compression : 32 kgf		
Lubrication interval	: - -			
Lubricant amount	: - -			
Lubricant type	: Mobil Polyrex EM			
Notes				
This revision replaces and cancel the previous one, which must be eliminated. (1) Looking the motor from the shaft end. (2) Measured at 1m and with tolerance of +3dB(A). (3) Approximate weight subject to changes after manufacturing process. (4) At 100% of full load.		These are average values based on tests with sinusoidal power supply, subject to the tolerances stipulated in NEMA MG-1.		
Rev.	Changes Summary	Performed	Checked	Date
Performed by				
Checked by			Page	Revision
Date	17/05/2022		1 / 2	

LOAD PERFORMANCE CURVE

Single Phase Induction Motor - Squirrel Cage

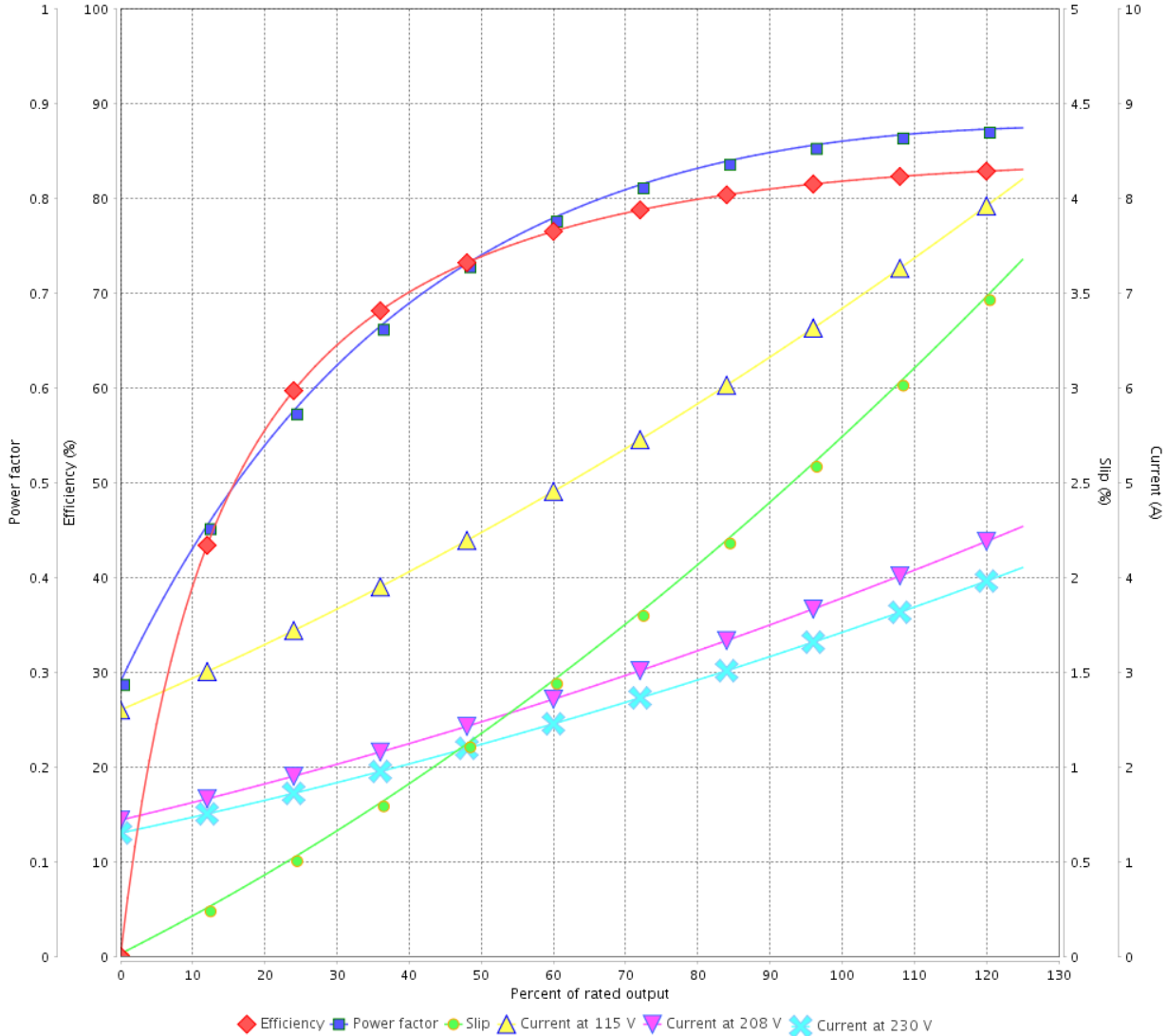


Customer :

Product line : Single-Phase

Product code : 13630755

LOAD PERFORMANCE CURVE



Performance : 115/208-230 V 60 Hz 4P

Rated current : 6.80/3.76-3.40 A
 LRC : 8.0
 Rated torque : 0.311 kgfm
 Locked rotor torque : 260 %
 Breakdown torque : 250 %
 Rated speed : 1750 rpm

Moment of inertia (J) : 0.0041 kgm²
 Duty cycle : Cont.(S1)
 Insulation class : F
 Service factor :
 Temperature rise : 80 K
 Design : N

Rev.	Changes Summary	Performed	Checked	Date
Performed by			Page 2 / 2	Revision
Checked by				
Date	17/05/2022			

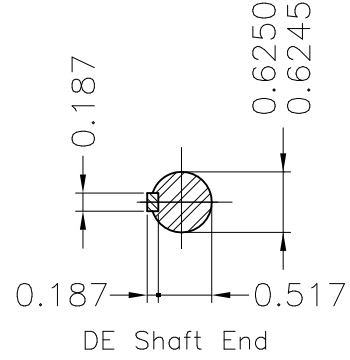
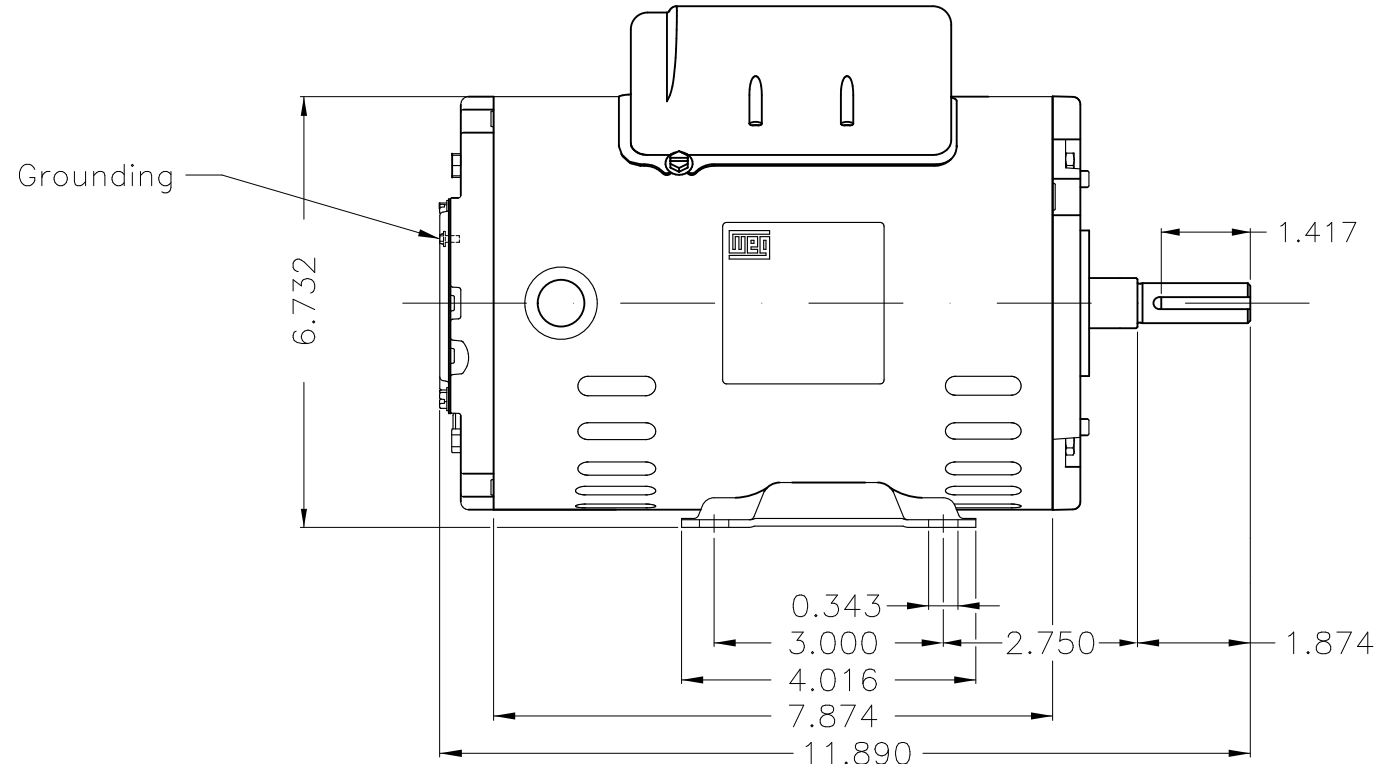
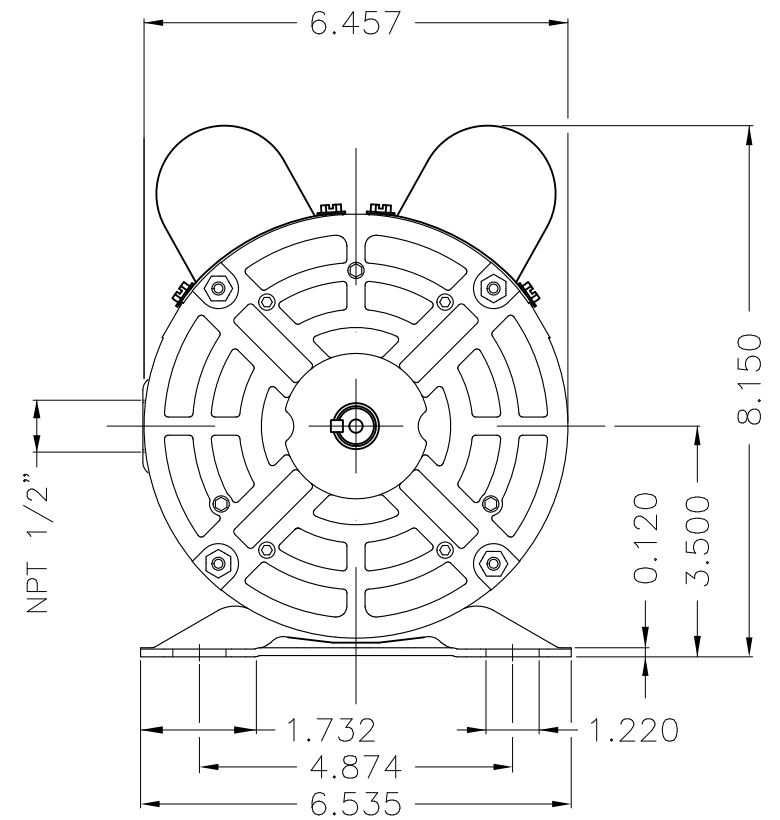
A

B

C


D

E



Grounding

Color Munsell N 1 matte black
 Painting plan 207N
 Mounting F-1/B3R(D)

						HYBRISUSER								00			
ECM		LOC		SUMMARY OF MODIFICATIONS				EXECUTED	CHECKED	RELEASED	DATE	VER					
EXECUTED		HYBRISUSER		SINGLE PH. MOTOR ROLLED STEEL PREM. EFF.										PREVIEW			
CHECKED				FRAME 56 IP21 ODP										WDD 00			
RELEASED														SHEET		1 / 1	
REL. DATE		A		WMO		Jaragua do Sul		Product Engineering									

0.75 HP 04 Poles 60 Hz

Dimensions in inches XME A3