

DATA SHEET

Single Phase Induction Motor - Squirrel Cage



Customer	:			
Product line	: Single-Phase	Product code : 13518263		
Frame	: W56	Cooling method : IC01 - ODP		
Insulation class	: F	Mounting : F-1		
Duty cycle	: Cont.(S1)	Rotation ¹ : Both (CW and CCW)		
Ambient temperature	: -20°C to +40°C	Starting method : Direct On Line		
Altitude	: 1000 m.a.s.l.	Approx. weight ³ : 8.9 kg		
Design	: N	Moment of inertia (J) : 0.0020 kgm ²		
Output [HP]		0.5		
Poles		4		
Frequency [Hz]		60		
Rated voltage [V]		115/208-230		
Rated current [A]		8.24/4.56-4.12		
L. R. Amperes [A]		47.8/26.4-23.9		
LRC [A]		5.8x(Code M)		
No load current [A]		6.80/2.93-3.40		
Rated speed [RPM]		1735		
Slip [%]		3.61		
Rated torque [kgfm]		0.209		
Locked rotor torque [%]		320		
Breakdown torque [%]		270		
Service factor				
Temperature rise		80 K		
Locked rotor time		18s (cold) 10s (hot)		
Noise level ²		50.0 dB(A)		
Efficiency (%)	25%			
	50%	54.0		
	75%	61.0		
	100%	63.0		
Power Factor	25%			
	50%	0.43		
	75%	0.53		
	100%	0.62		
Bearing type	: <u>Drive end</u> 6203 ZZ <u>Non drive end</u> 6202 ZZ	Foundation loads		
Sealing	: Without Bearing Seal Without Bearing Seal	Max. traction : 13 kgf		
Lubrication interval	: - -	Max. compression : 22 kgf		
Lubricant amount	: - -			
Lubricant type	: Mobil Polyrex EM			
Notes				
<p>This revision replaces and cancel the previous one, which must be eliminated.</p> <p>(1) Looking the motor from the shaft end.</p> <p>(2) Measured at 1m and with tolerance of +3dB(A).</p> <p>(3) Approximate weight subject to changes after manufacturing process.</p> <p>(4) At 100% of full load.</p>		<p>These are average values based on tests with sinusoidal power supply, subject to the tolerances stipulated in NEMA MG-1.</p>		
Rev.	Changes Summary	Performed	Checked	Date
Performed by				
Checked by			Page	Revision
Date	17/05/2022		1 / 2	

LOAD PERFORMANCE CURVE

Single Phase Induction Motor - Squirrel Cage

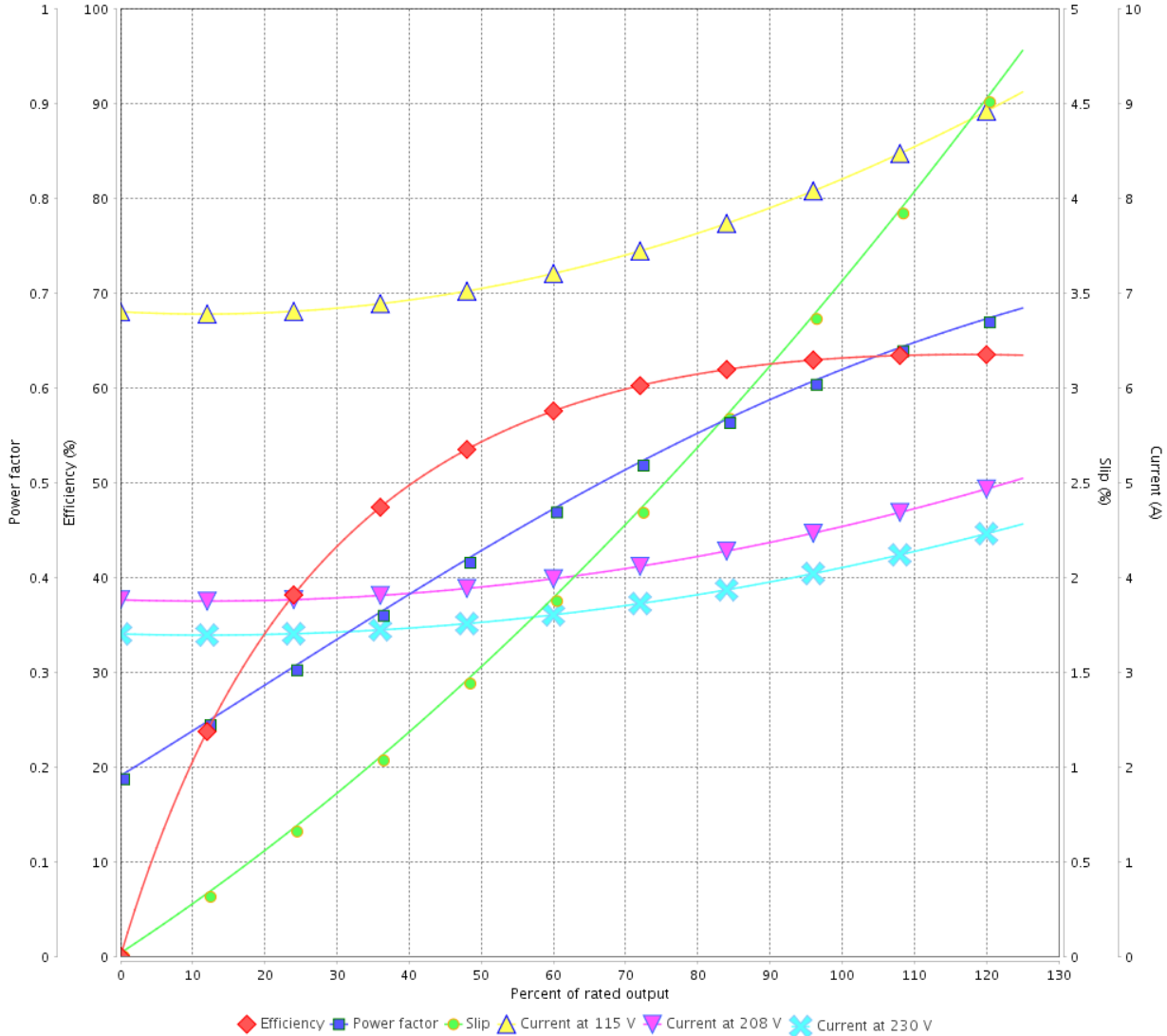


Customer :

Product line : Single-Phase

Product code : 13518263

LOAD PERFORMANCE CURVE



Performance : 115/208-230 V 60 Hz 4P

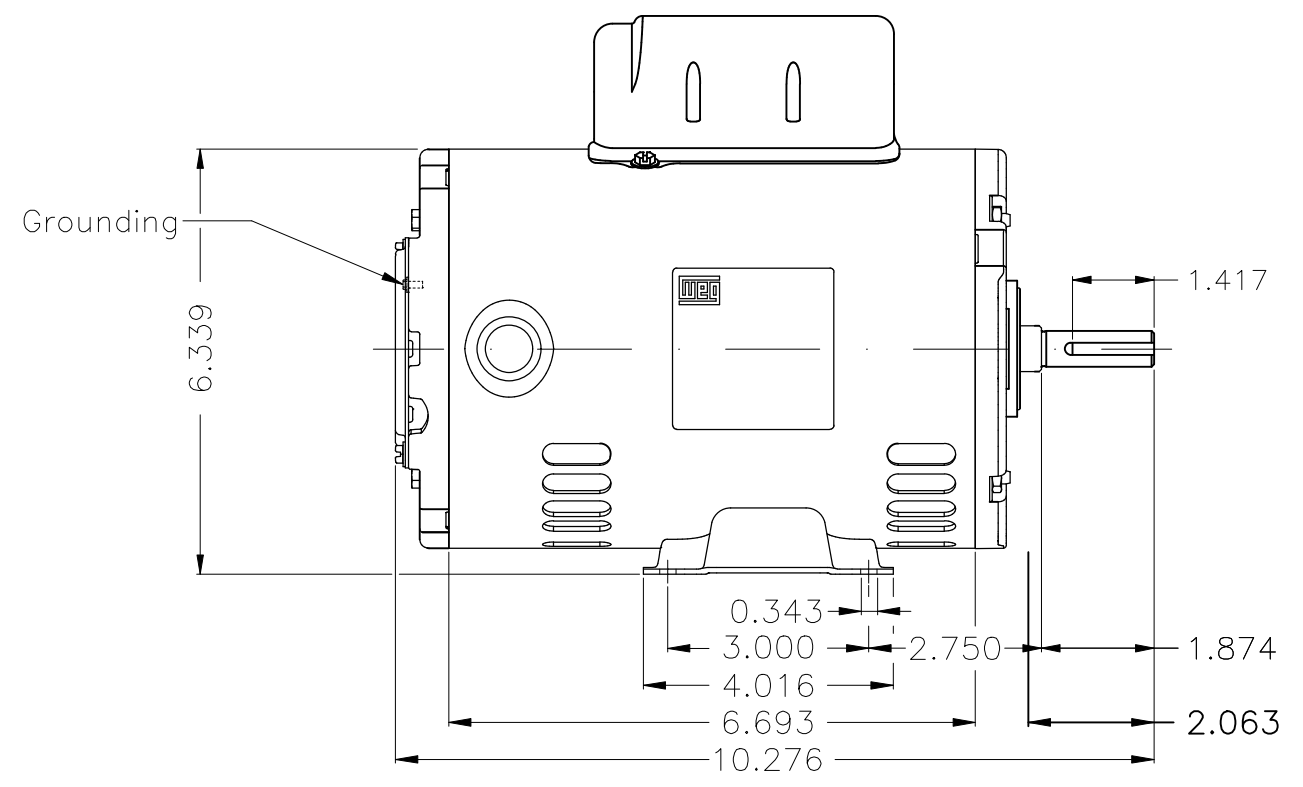
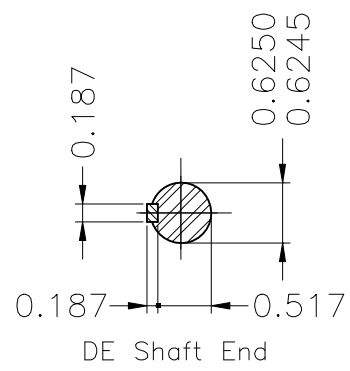
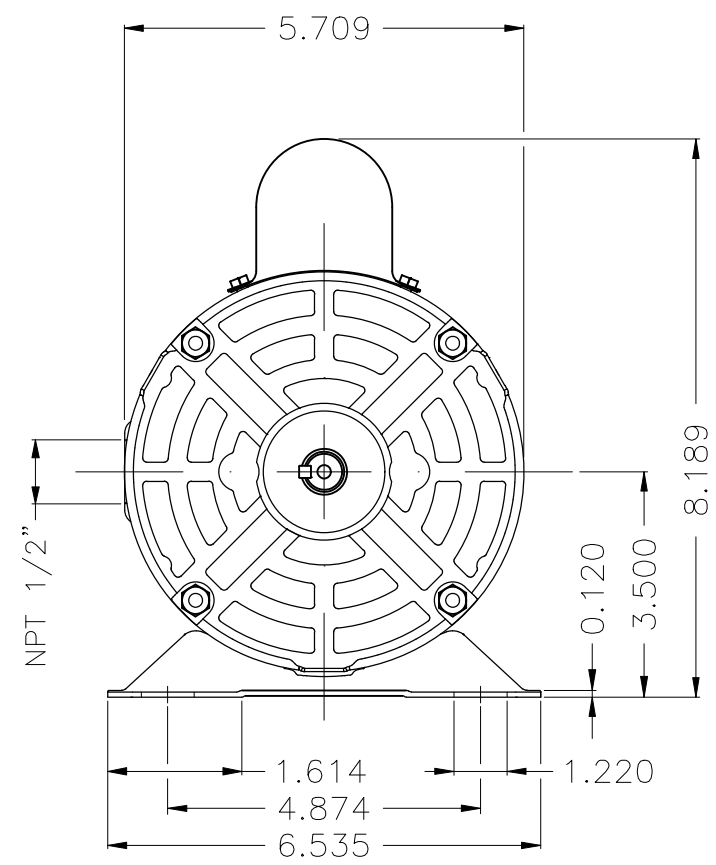
Rated current : 8.24/4.56-4.12 A
 LRC : 5.8
 Rated torque : 0.209 kgfm
 Locked rotor torque : 320 %
 Breakdown torque : 270 %
 Rated speed : 1735 rpm

Moment of inertia (J) : 0.0020 kgm²
 Duty cycle : Cont.(S1)
 Insulation class : F
 Service factor :
 Temperature rise : 80 K
 Design : N

Rev.	Changes Summary	Performed	Checked	Date
Performed by			Page 2 / 2	Revision
Checked by				
Date	17/05/2022			

1 2 3 4 5 6

A
B
C
D
E



Color Munsell N 1 matte black											
Painting plan 207N											
Mounting F-1/B3R(D)											
								HYBRISUSER	00		
ECM	LOC	SUMMARY OF MODIFICATIONS					EXECUTED	CHECKED	RELEASED	DATE	VER
EXECUTED	HYBRISUSER	SINGLE PH. MOTOR ROLLED STEEL FRAME W56 IP21 ODP					PREVIEW WDD 00				
CHECKED											
RELEASED											
REL. DATE		WMO	Jaragua do Sul	Product Engineering	SHEET	1 / 1					

0.5 HP 04 Poles 60 Hz

A