

DATA SHEET

Three Phase Induction Motor - Squirrel Cage



Customer	:			
Product line	: Standard Efficiency Three-Phase	Product code : 13505141		
Frame	: 56HC	Cooling method : IC01 - ODP		
Insulation class	: F	Mounting : F-1		
Duty cycle	: Cont.(S1)	Rotation ¹ : Both (CW and CCW)		
Ambient temperature	: -20°C to +40°C	Starting method : Direct On Line		
Altitude	: 1000 m.a.s.l.	Approx. weight ³ : 15.2 kg		
Design	: A	Moment of inertia (J) : 0.0040 kgm ²		
Output [HP]		3		
Poles		2		
Frequency [Hz]		60		
Rated voltage [V]		575		
Rated current [A]		3.11		
L. R. Amperes [A]		21.8		
LRC [A]		7.0x(Code J)		
No load current [A]		1.28		
Rated speed [RPM]		3450		
Slip [%]		4.17		
Rated torque [kgfm]		0.631		
Locked rotor torque [%]		220		
Breakdown torque [%]		250		
Service factor		1.15		
Temperature rise		80 K		
Locked rotor time		14s (cold) 8s (hot)		
Noise level ²		62.0 dB(A)		
Efficiency (%)	25%			
	50%	80.0		
	75%	81.5		
	100%	81.5		
Power Factor	25%			
	50%	0.70		
	75%	0.82		
	100%	0.87		
Bearing type	: <u>Drive end</u> 6204 ZZ <u>Non drive end</u> 6202 ZZ	Foundation loads		
Sealing	: Without Without Bearing Seal Bearing Seal	Max. traction : 43 kgf Max. compression : 58 kgf		
Lubrication interval	: - -			
Lubricant amount	: - -			
Lubricant type	: Mobil Polyrex EM			
Notes				
This revision replaces and cancel the previous one, which must be eliminated. (1) Looking the motor from the shaft end. (2) Measured at 1m and with tolerance of +3dB(A). (3) Approximate weight subject to changes after manufacturing process. (4) At 100% of full load.		These are average values based on tests with sinusoidal power supply, subject to the tolerances stipulated in NEMA MG-1.		
Rev.	Changes Summary	Performed	Checked	Date
Performed by				
Checked by			Page	Revision
Date	17/05/2022		1 / 2	

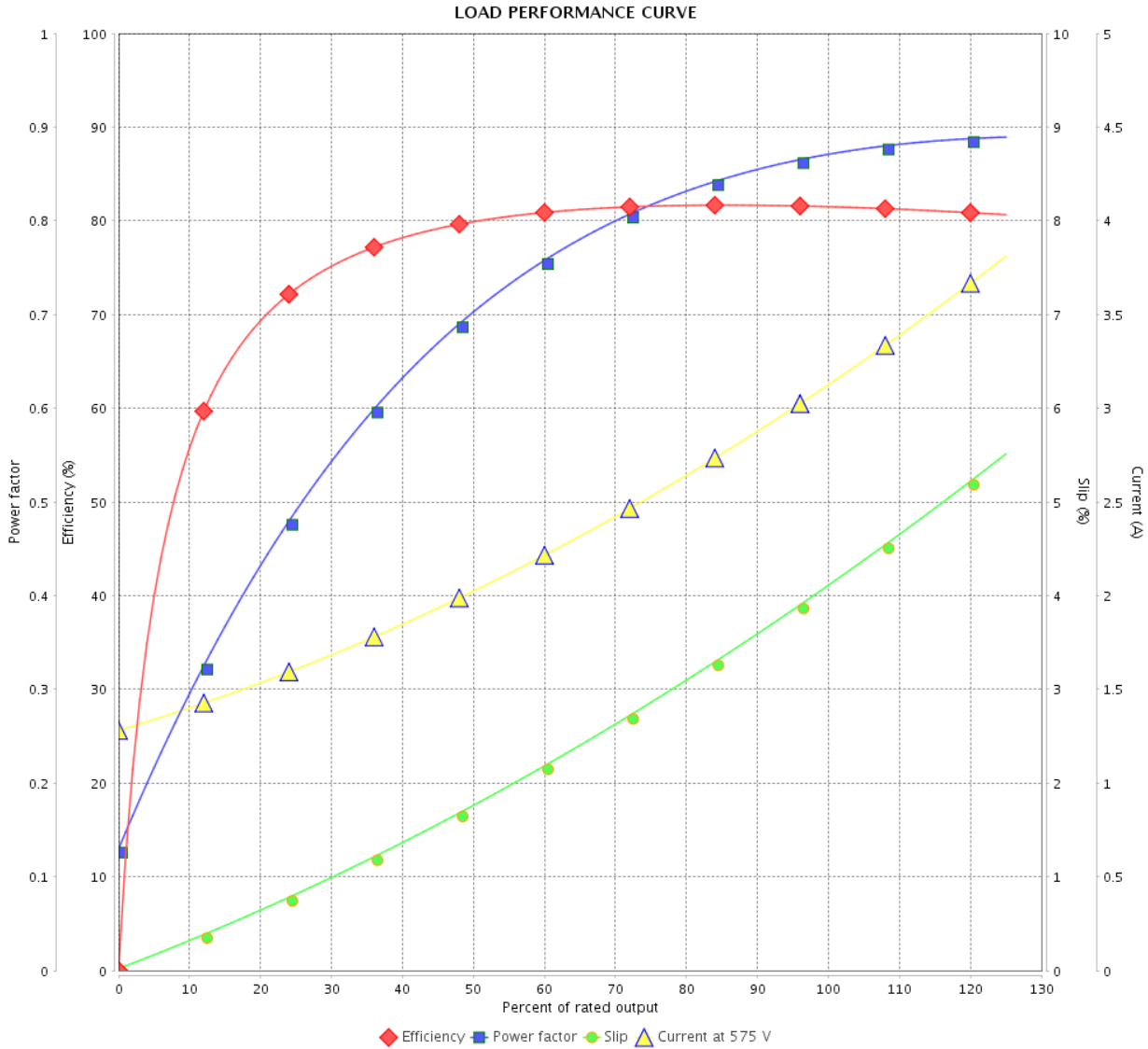
LOAD PERFORMANCE CURVE

Three Phase Induction Motor - Squirrel Cage



Customer :

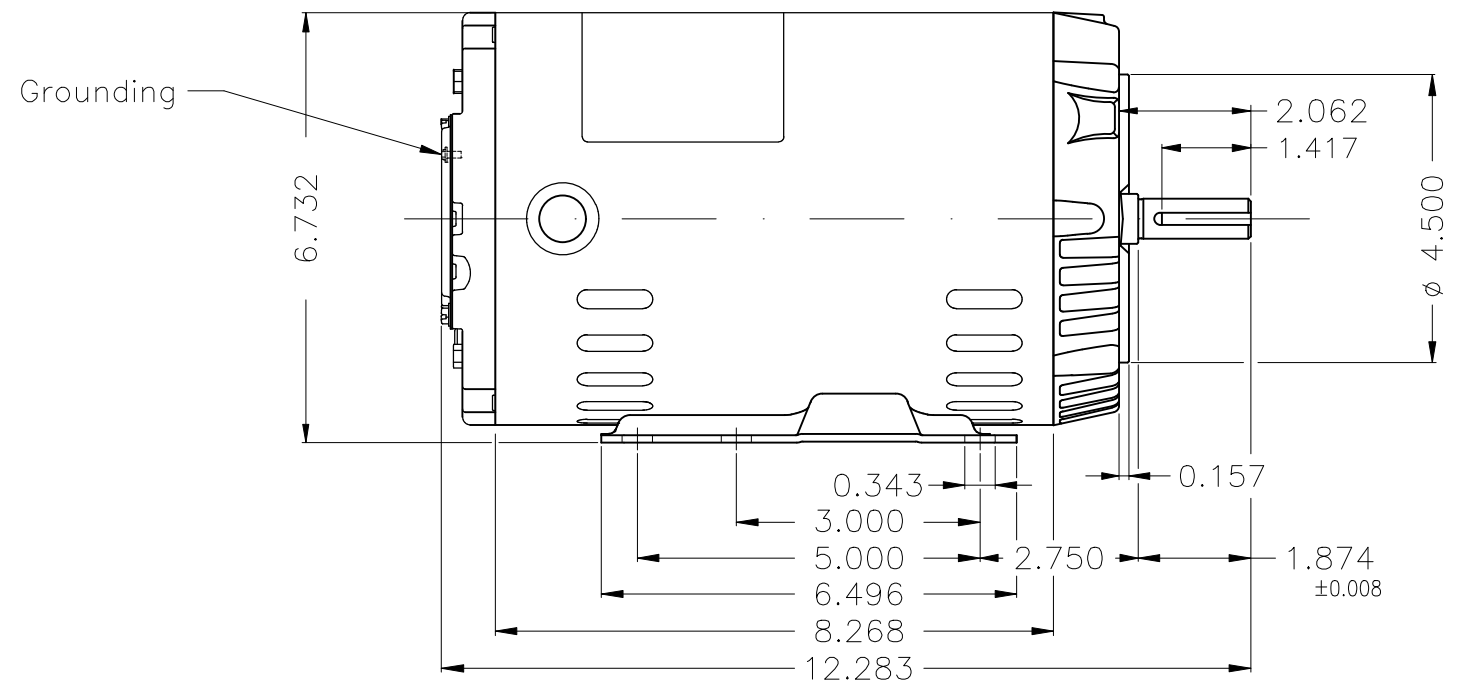
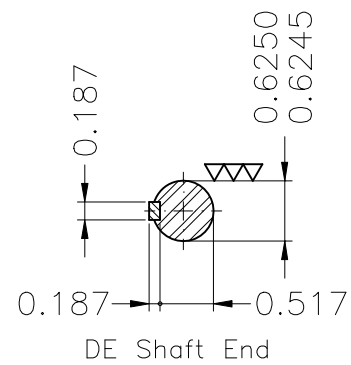
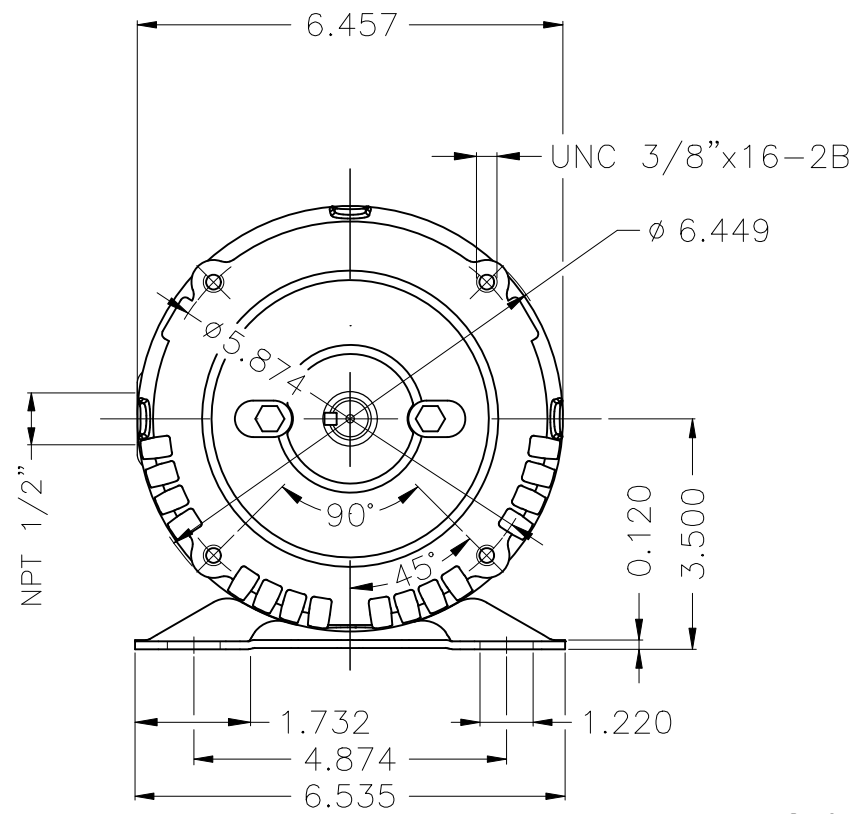
Product line : Standard Efficiency Three-Phase Product code : 13505141



Performance : 575 V 60 Hz 2P

Rated current	: 3.11 A	Moment of inertia (J)	: 0.0040 kgm ²
LRC	: 7.0	Duty cycle	: Cont.(S1)
Rated torque	: 0.631 kgfm	Insulation class	: F
Locked rotor torque	: 220 %	Service factor	: 1.15
Breakdown torque	: 250 %	Temperature rise	: 80 K
Rated speed	: 3450 rpm	Design	: A

Rev.	Changes Summary	Performed	Checked	Date
Performed by			Page 2 / 2	Revision
Checked by				
Date	17/05/2022			



Color Munsell N 1 matte black
 Painting plan 207N
 Mounting B34D

					HYBRISUSER					00
ECM	LOC	SUMMARY OF MODIFICATIONS			EXECUTED	CHECKED	RELEASED	DATE	VER	
EXECUTED	HYBRISUSER	THREE PH. MOTOR ROLLED STEEL					PREVIEW			
CHECKED		FRAME 56HC IP21 ODP					WDD		00	
RELEASED							SHEET		1 / 1	
REL. DATE		WMO	Jaragua do Sul	Product Engineering						

3 HP 02 Poles 60 Hz

A

