

DATA SHEET

Three Phase Induction Motor - Squirrel Cage



Customer					
Product line	: Standard Efficiency Three-Phase	Product code :	13724424		
Frame	: 56C	Cooling method	: IC01 - ODP		
Insulation class	: F	Mounting	: W-6		
Duty cycle	: Cont.(S1)	Rotation ¹	: Both (CW and CCW)		
Ambient temperature	: -20°C to +40°C	Starting method	: Direct On Line		
Altitude	: 1000 m.a.s.l.	Approx. weight ³	: 12.6 kg		
Design	: A	Moment of inertia (J)	: 0.0038 kgm ²		
Output [HP]	1.5				
Poles	4				
Frequency [Hz]	60				
Rated voltage [V]	575				
Rated current [A]	1.84				
L. R. Amperes [A]	12.7				
LRC [A]	6.9x(Code K)				
No load current [A]	1.28				
Rated speed [RPM]	1745				
Slip [%]	3.06				
Rated torque [kgfm]	0.624				
Locked rotor torque [%]	250				
Breakdown torque [%]	280				
Service factor	1.15				
Temperature rise	80 K				
Locked rotor time	18s (cold) 10s (hot)				
Noise level ²	52.0 dB(A)				
Efficiency (%)	25%				
	50%	75.5			
	75%	78.5			
	100%	80.0			
Power Factor	25%				
	50%	0.51			
	75%	0.65			
	100%	0.75			
Bearing type	: <u>Drive end</u> 6204 ZZ	<u>Non drive end</u> 6202 ZZ	Foundation loads		
Sealing	: Without	Without	Max. traction	: 50 kgf	
	Bearing Seal	Bearing Seal	Max. compression	: 62 kgf	
Lubrication interval	: -	-			
Lubricant amount	: -	-			
Lubricant type	: Mobil Polyrex EM				
Notes					
This revision replaces and cancel the previous one, which must be eliminated. (1) Looking the motor from the shaft end. (2) Measured at 1m and with tolerance of +3dB(A). (3) Approximate weight subject to changes after manufacturing process. (4) At 100% of full load.			These are average values based on tests with sinusoidal power supply, subject to the tolerances stipulated in NEMA MG-1.		
Rev.	Changes Summary		Performed	Checked	Date
Performed by					
Checked by				Page	Revision
Date	17/05/2022			1 / 2	

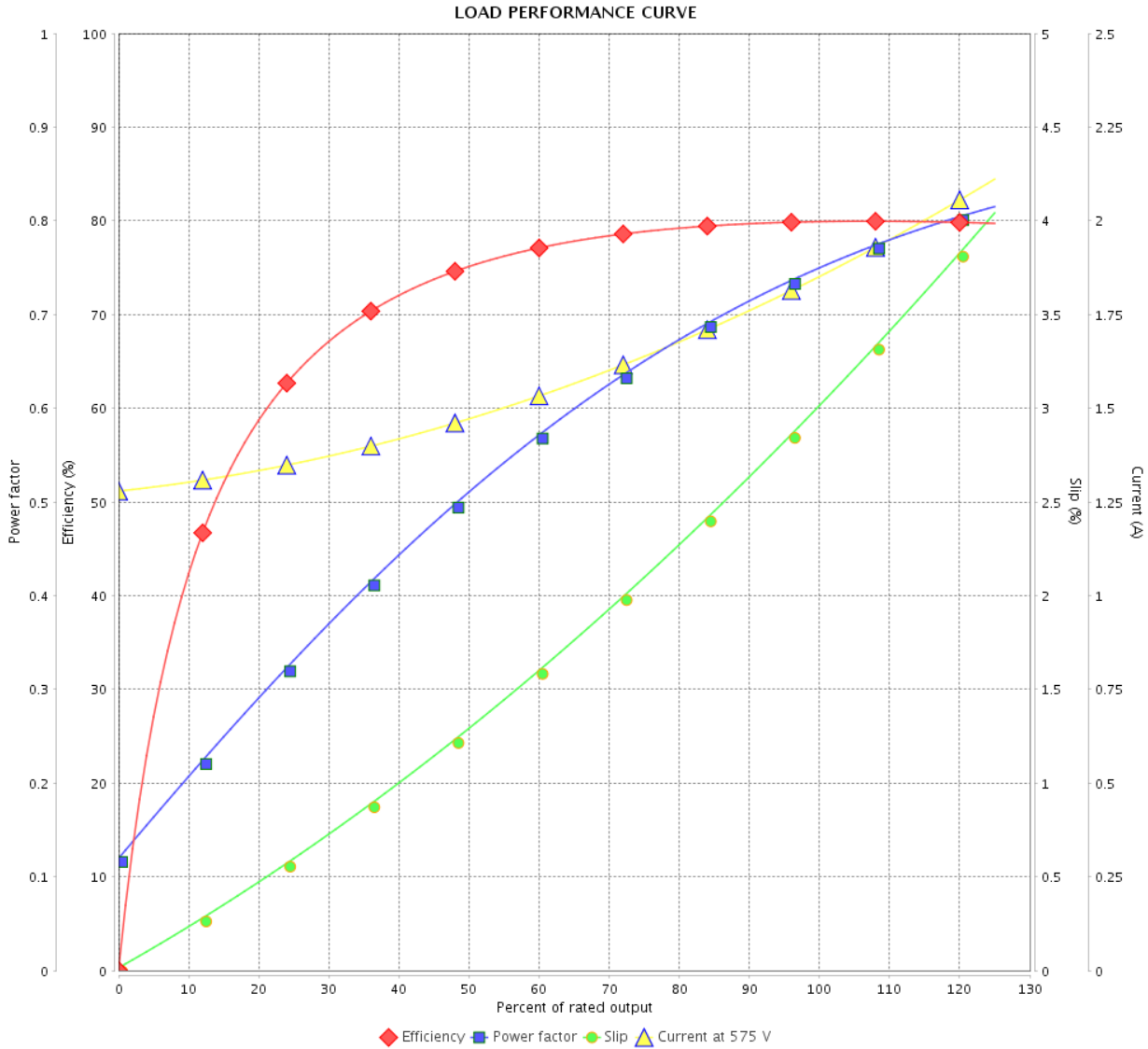
LOAD PERFORMANCE CURVE

Three Phase Induction Motor - Squirrel Cage



Customer : _____

Product line : Standard Efficiency Three-Phase Product code : 13724424



Performance : 575 V 60 Hz 4P

Rated current : 1.84 A	Moment of inertia (J) : 0.0038 kgm ²
LRC : 6.9	Duty cycle : Cont.(S1)
Rated torque : 0.624 kgfm	Insulation class : F
Locked rotor torque : 250 %	Service factor : 1.15
Breakdown torque : 280 %	Temperature rise : 80 K
Rated speed : 1745 rpm	Design : A

Rev.	Changes Summary	Performed	Checked	Date
Performed by			Page 2 / 2	Revision
Checked by				
Date	17/05/2022			

1

2

3

4

5

6

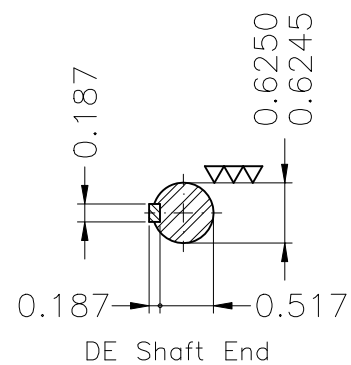
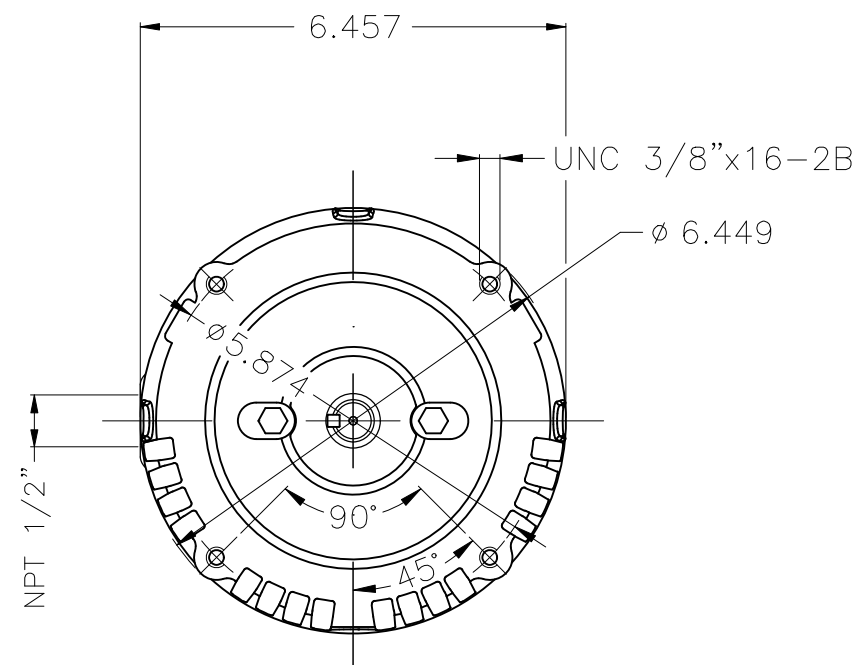
A

B

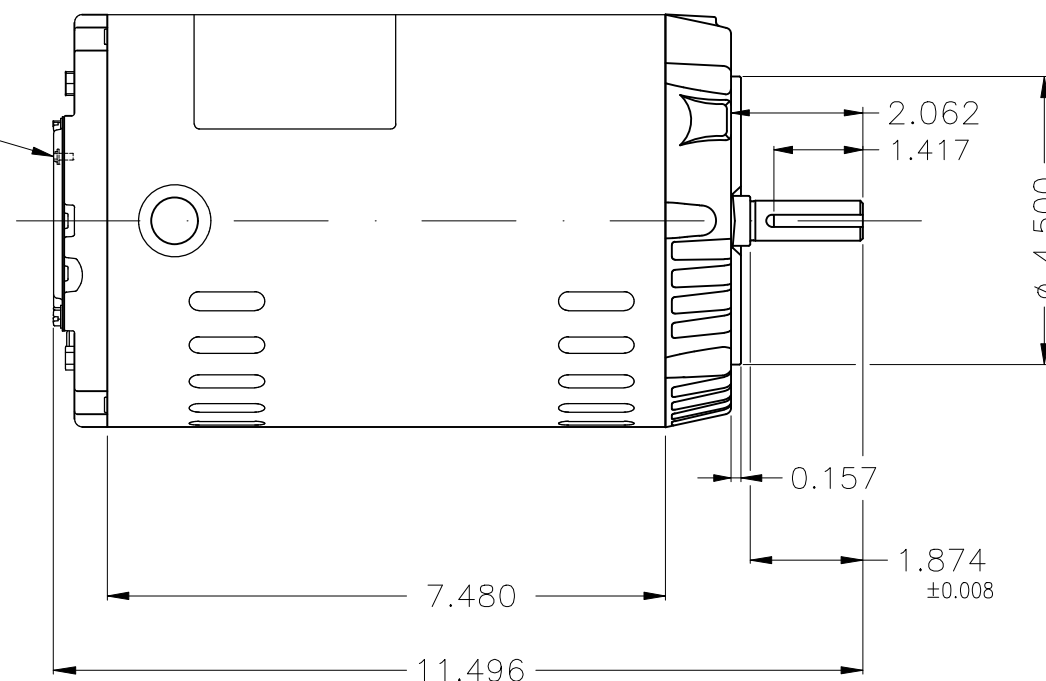
C

D

E



Grounding



Color Munsell N 1 matte black											
Painting plan 207N											
Mounting W-6/V18R(D)											
HYBRISUSER											
00											
ECM	LOC	SUMMARY OF MODIFICATIONS			EXECUTED	CHECKED	RELEASED	DATE	VER		
EXECUTED	HYBRISUSER	THREE PH. MOTOR ROLLED STEEL FRAME 56C IP21 ODP			PREVIEW		WDD 00				
CHECKED					SHEET		1 / 1		WEG		
RELEASED											
REL. DATE		WMO	Jaragua do Sul	Product Engineering	SHEET 1 / 1						

1.5 HP 04 Poles 60 Hz

A