

DATA SHEET

Single Phase Induction Motor - Squirrel Cage



Customer :				
Product line	: Single-Phase			
Product code :	13505062			
Frame	: 56C			
Insulation class	: F			
Duty cycle	: Cont.(S1)			
Ambient temperature	: -20°C to +40°C			
Altitude	: 1000 m.a.s.l.			
Design	: L			
Cooling method	: IC01 - ODP			
Mounting	: F-1			
Rotation ¹	: Both (CW and CCW)			
Starting method	: Direct On Line			
Approx. weight ³	: 15.4 kg			
Moment of inertia (J)	: 0.0041 kgm ²			
Output [HP]	1			
Poles	4			
Frequency [Hz]	60			
Rated voltage [V]	115/208-230			
Rated current [A]	13.5/7.46-6.75			
L. R. Amperes [A]	90.5/50.0-45.2			
LRC [A]	6.7x(Code L)			
No load current [A]	9.60/4.14-4.80			
Rated speed [RPM]	1745			
Slip [%]	3.06			
Rated torque [kgfm]	0.416			
Locked rotor torque [%]	270			
Breakdown torque [%]	270			
Service factor				
Temperature rise	80 K			
Locked rotor time	12s (cold) 7s (hot)			
Noise level ²	52.0 dB(A)			
Efficiency (%)	25%			
	50%	60.0		
	75%	68.0		
	100%	71.0		
Power Factor	25%			
	50%	0.48		
	75%	0.60		
	100%	0.68		
Bearing type	: <u>Drive end</u> 6204 ZZ <u>Non drive end</u> 6202 ZZ			
Sealing	: Without Without Bearing Seal Bearing Seal			
Lubrication interval	: - -			
Lubricant amount	: - -			
Lubricant type	: Mobil Polyrex EM			
Foundation loads	Max. traction : 28 kgf Max. compression : 43 kgf			
Notes				
This revision replaces and cancel the previous one, which must be eliminated. (1) Looking the motor from the shaft end. (2) Measured at 1m and with tolerance of +3dB(A). (3) Approximate weight subject to changes after manufacturing process. (4) At 100% of full load.				
These are average values based on tests with sinusoidal power supply, subject to the tolerances stipulated in NEMA MG-1.				
Rev.	Changes Summary	Performed	Checked	Date
Performed by				
Checked by			Page	Revision
Date	17/05/2022		1 / 2	

LOAD PERFORMANCE CURVE

Single Phase Induction Motor - Squirrel Cage

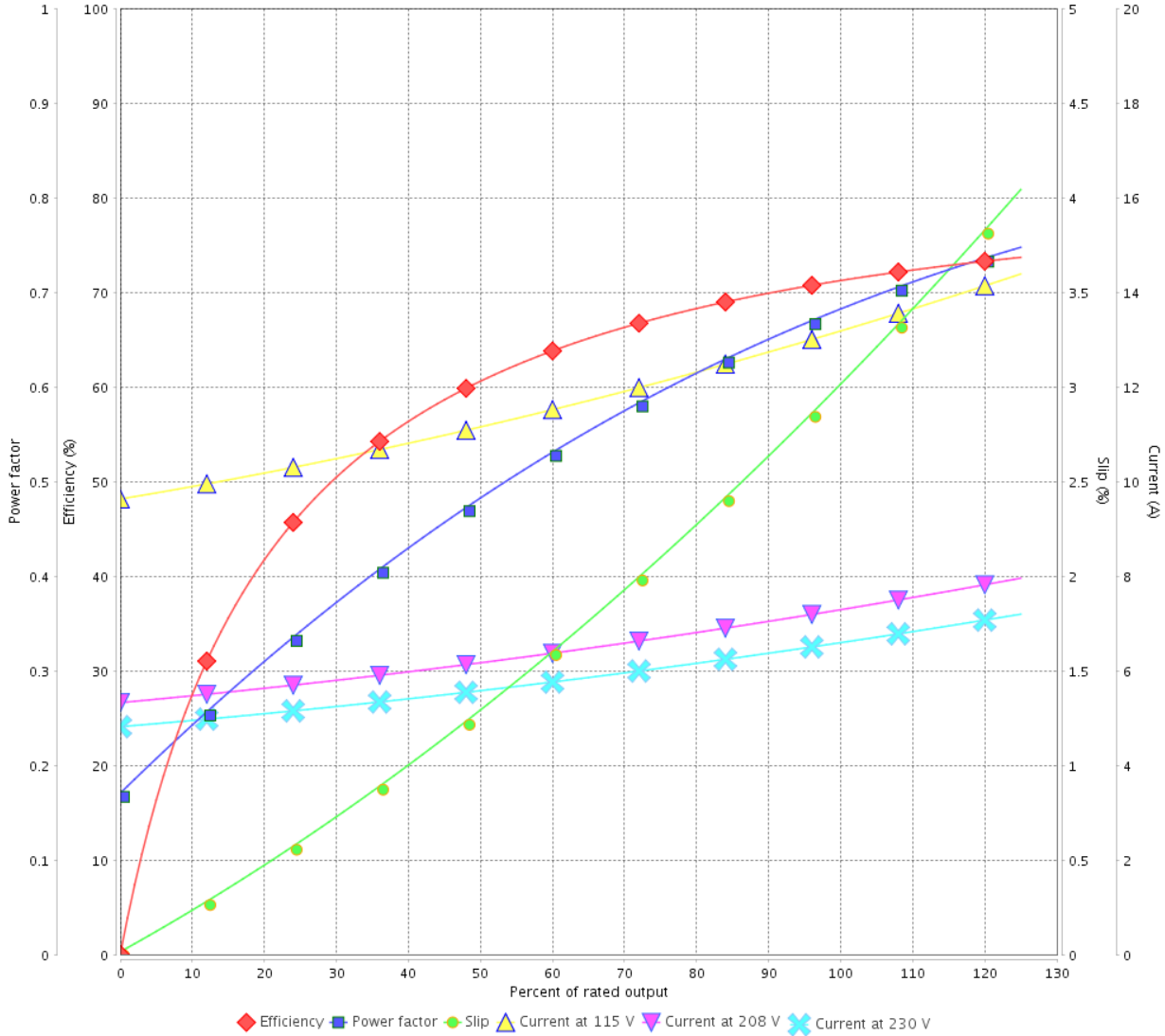


Customer :

Product line : Single-Phase

Product code : 13505062

LOAD PERFORMANCE CURVE



Performance : 115/208-230 V 60 Hz 4P

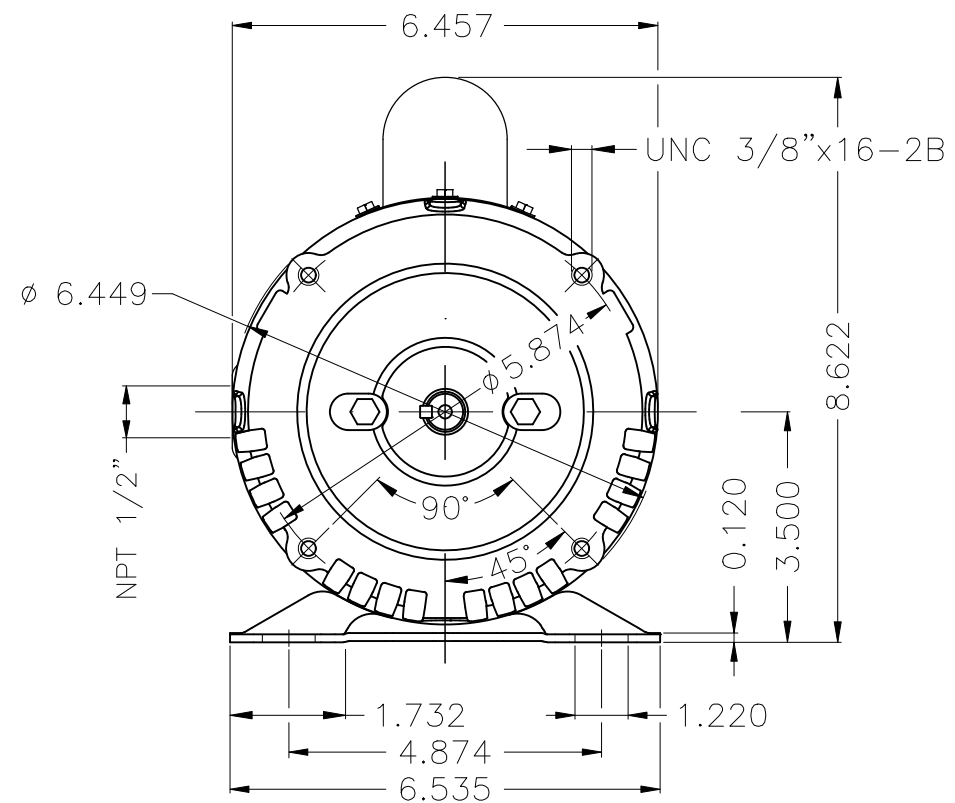
Rated current : 13.5/7.46-6.75 A
 LRC : 6.7
 Rated torque : 0.416 kgfm
 Locked rotor torque : 270 %
 Breakdown torque : 270 %
 Rated speed : 1745 rpm

Moment of inertia (J) : 0.0041 kgm²
 Duty cycle : Cont.(S1)
 Insulation class : F
 Service factor :
 Temperature rise : 80 K
 Design : L

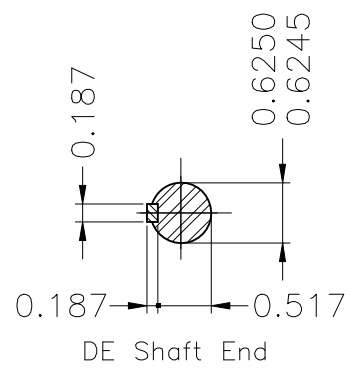
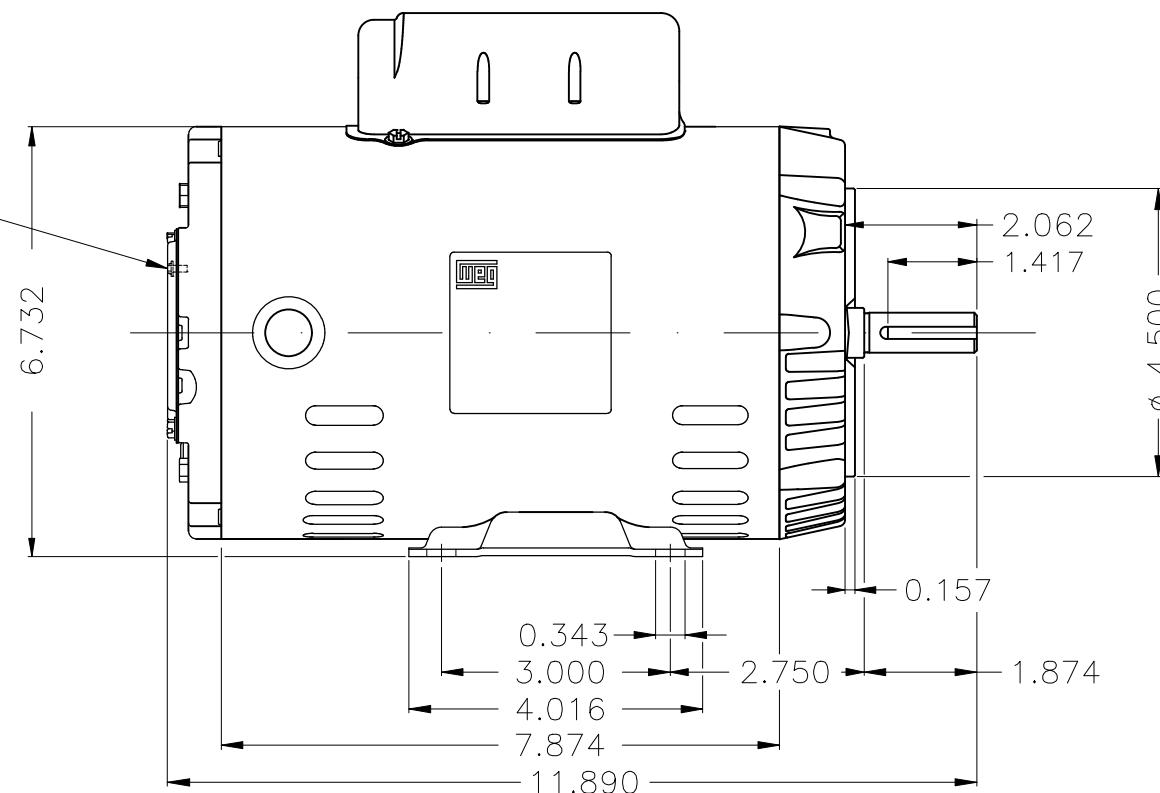
Rev.	Changes Summary	Performed	Checked	Date
Performed by			Page 2 / 2	Revision
Checked by				
Date	17/05/2022			

1 2 3 4 5 6

A
B
C
D
E



Grounding



Color Munsell N 1 matte black									
Painting plan 207N									
Mounting B34D									
						HYBRISUSER	00		
ECM	LOC	SUMMARY OF MODIFICATIONS			EXECUTED	CHECKED	RELEASED	DATE	VER
EXECUTED	HYBRISUSER	SINGLE PH. MOTOR ROLLED STEEL		PREVIEW					
CHECKED		FRAME 56C IP21 ODP		WDD		00			
RELEASED				SHEET		1 / 1			
REL. DATE		WMO	Jaragua do Sul	Product Engineering					

1 HP 04 Poles 60 Hz

A



Dimensions in inches XME A3