

DATA SHEET



Three Phase Induction Motor - Squirrel Cage

Customer :						
Product line		: Multimounting IE3 Three-Phase		Product code :		11728462
Frame	:	112M		Locked rotor time	:	34s (cold) 19s (hot)
Output	:	5.5 HP (4 kW)		Temperature rise	:	80 K
Poles	:	4		Duty cycle	:	S1
Frequency	:	60 Hz		Ambient temperature	:	-20°C to +40°C
Rated voltage	:	575 V		Altitude	:	1000 m.a.s.l.
Rated current	:	5.82 A		Protection degree	:	IP55
L. R. Amperes	:	46.6 A		Cooling method	:	IC411 - TEFC
LRC	:	8.0		Mounting	:	B3L(E)
No load current	:	3.40 A		Rotation ¹	:	Both (CW and CCW)
Rated speed	:	1755 rpm		Noise level ²	:	56.0 dB(A)
Slip	:	2.50 %		Starting method	:	Direct On Line
Rated torque	:	2.27 kgfm		Approx. weight ³	:	40.0 kg
Locked rotor torque	:	250 %				
Breakdown torque	:	350 %				
Insulation class	:	F				
Service factor	:	1.25				
Moment of inertia (J)	:	0.0182 kgm ²				
Design	:	N				
Output	50%	75%	100%	Foundation loads		
Efficiency (%)	87.5	89.5	89.5	Max. traction	:	147 kgf
Power Factor	0.58	0.70	0.77	Max. compression	:	187 kgf
Losses at normative operating points (speed;torque), in percentage of rated output power						
P1 (0,9;1,0)	P2 (0,5;1,0)	P3 (0,25;1,0)	P4 (0,9;0,5)	P5 (0,5;0,5)	P6 (0,5;0,25)	P7 (0,25;0,25)
11.2	9.4	9.2	6.3	4.5	3.4	2.6
		<u>Drive end</u>		<u>Non drive end</u>		
Bearing type	:	6307 ZZ		6206 ZZ		
Sealing	:	V'Ring		V'Ring		
Lubrication interval	:	-		-		
Lubricant amount	:	-		-		
Lubricant type	:	Mobil Polyrex EM				
Notes						
This revision replaces and cancel the previous one, which must be eliminated. (1) Looking the motor from the shaft end. (2) Measured at 1m and with tolerance of +3dB(A). (3) Approximate weight subject to changes after manufacturing process. (4) At 100% of full load.				These are average values based on tests with sinusoidal power supply, subject to the tolerances stipulated in NEMA MG-1.		
Rev.	Changes Summary			Performed	Checked	Date
Performed by						
Checked by					Page	Revision
Date	25/10/2024				1 / 2	

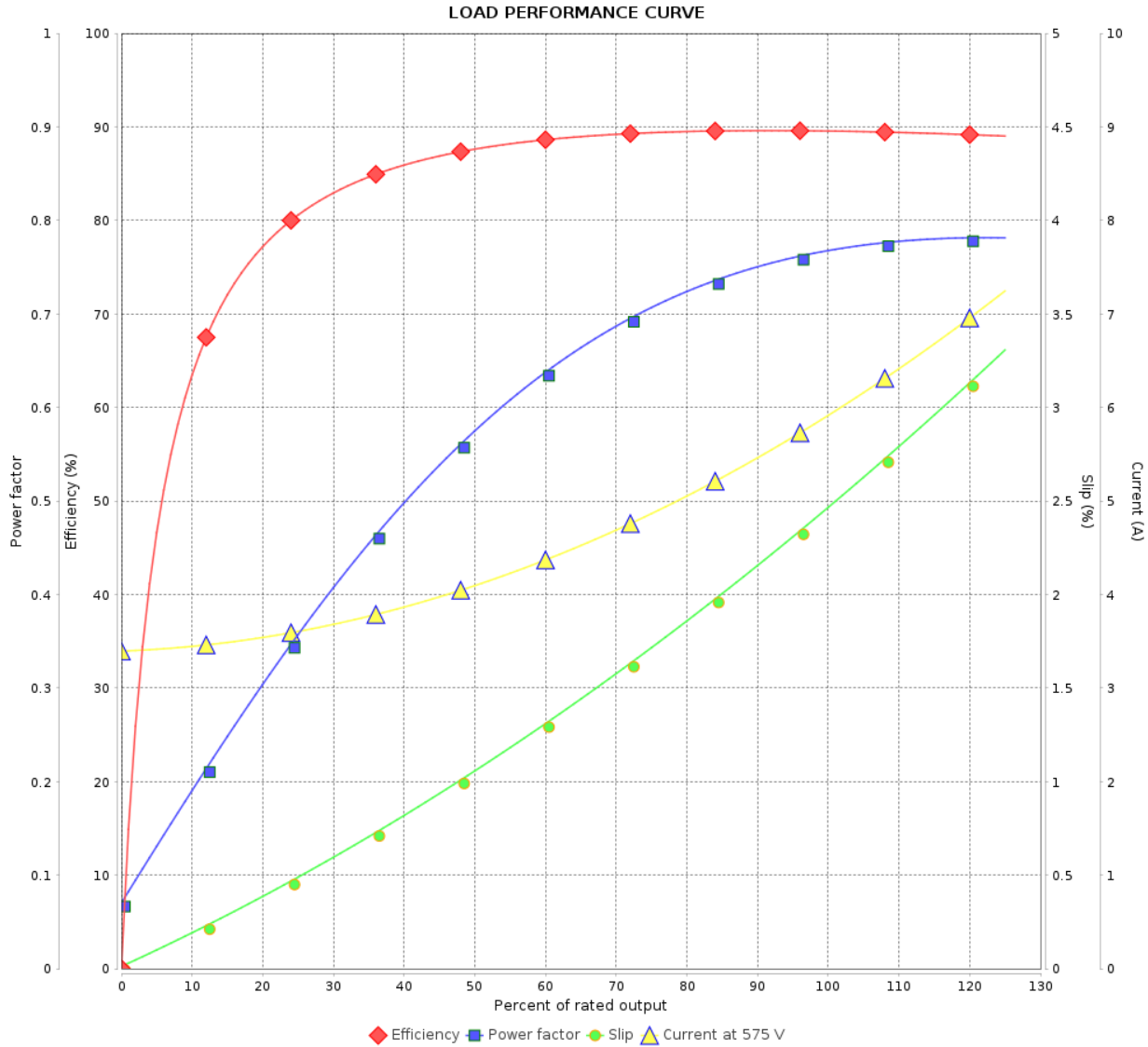
LOAD PERFORMANCE CURVE

Three Phase Induction Motor - Squirrel Cage



Customer : _____

Product line : Multimounting IE3 Three-Phase Product code : 11728462



Performance : 575 V 60 Hz 4P

Rated current	: 5.82 A	Moment of inertia (J)	: 0.0182 kgm ²
LRC	: 8.0	Duty cycle	: S1
Rated torque	: 2.27 kgfm	Insulation class	: F
Locked rotor torque	: 250 %	Service factor	: 1.25
Breakdown torque	: 350 %	Temperature rise	: 80 K
Rated speed	: 1755 rpm	Design	: N

Rev.	Changes Summary	Performed	Checked	Date
Performed by			Page 2 / 2	Revision
Checked by				
Date	25/10/2024			

1

2

3

4

5

6

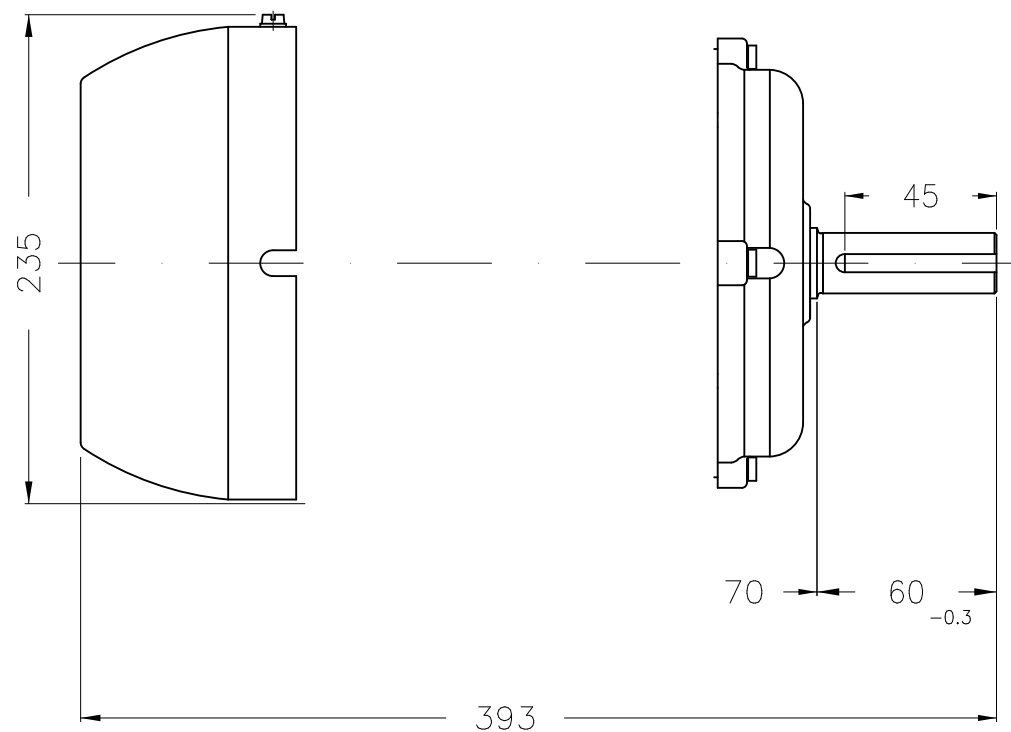
A

B

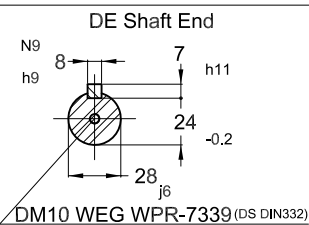
C

D

E



5.5 HP	04 Poles	60 Hz	A
--------	----------	-------	---



Color RAL 5009
 Painting plan 207A
 Mounting B3L(E)

ECM	LOC	SUMMARY OF MODIFICATIONS	EXECUTED	CHECKED	RELEASED	DATE	VER
EXECUTED	DATAVIEWERUSER	THREE PH. MOTOR MULTIMOUNTIN IE3					
CHECKED		FRAME 112M IP55 TEFC					
RELEASED							
REL DT.	WMO	Jaragua do Sul	Product Engineering				

PREVIEW
 WDD



SHEET 1 / 1