

DATA SHEET



Three Phase Induction Motor - Squirrel Cage

Customer :

Product line : Rolled Steel NEMA Premium Efficiency Three-Phase Product code : 12845391

Frame	: 182/4TC	Locked rotor time	: 45s (cold) 25s (hot)
Output	: 3 HP (2.2 kW)	Temperature rise	: 80 K
Frequency	: 60 Hz	Duty cycle	: Cont.(S1)
Rated voltage	: 575 V	Ambient temperature	: -20°C to +40°C
Poles	: 2	Altitude	: 1000 m.a.s.l.
Rated current	: 3.01 A	Protection degree	: IP55
	: 8.8x(Code K)	Cooling method	: IC411 - TEFC
Rated speed	: 3515 rpm	Mounting	: F-1
Rated torque	: 0.619 kgfm	Rotation ¹	: Both (CW and CCW)
Insulation class	: F	Noise level ²	: 68.0 dB(A)
Service factor	: 1.15	Starting method	: Direct On Line
Moment of inertia (J)	: 0.0066 kgm ²	Approx. weight ³	: 28.5 kg
Design	: B		

Output	50%	75%	100%	Foundation loads	
Efficiency (%)	84.0	86.5	86.5	Max. traction	: 31 kgf
Power Factor	0.70	0.80	0.85	Max. compression	: 59 kgf

Losses at normative operating points (speed;torque), in percentage of rated output power

P1 (0,9;1,0)	P2 (0,5;1,0)	P3 (0,25;1,0)	P4 (0,9;0,5)	P5 (0,5;0,5)	P6 (0,5;0,25)	P7 (0,25;0,25)
14.2	10.4	10.2	8.6	4.8	3.5	2.2

	Drive end	Non drive end
Bearing type	: 6206 ZZ	: 6205 ZZ
Sealing	: V'Ring	: Without Bearing Seal
Lubrication interval	: -	: -
Lubricant amount	: -	: -
Lubricant type	: Mobil Polyrex EM	

Notes

This revision replaces and cancel the previous one, which must be eliminated.

- (1) Looking the motor from the shaft end.
- (2) Measured at 1m and with tolerance of +3dB(A).
- (3) Approximate weight subject to changes after manufacturing process.
- (4) At 100% of full load.

These are average values based on tests with sinusoidal power supply, subject to the tolerances stipulated in NEMA MG-1.

Rev.	Changes Summary	Performed	Checked	Date
Performed by		Page		Revision
Checked by		1 / 2		
Date	04/06/2026			

LOAD PERFORMANCE CURVE

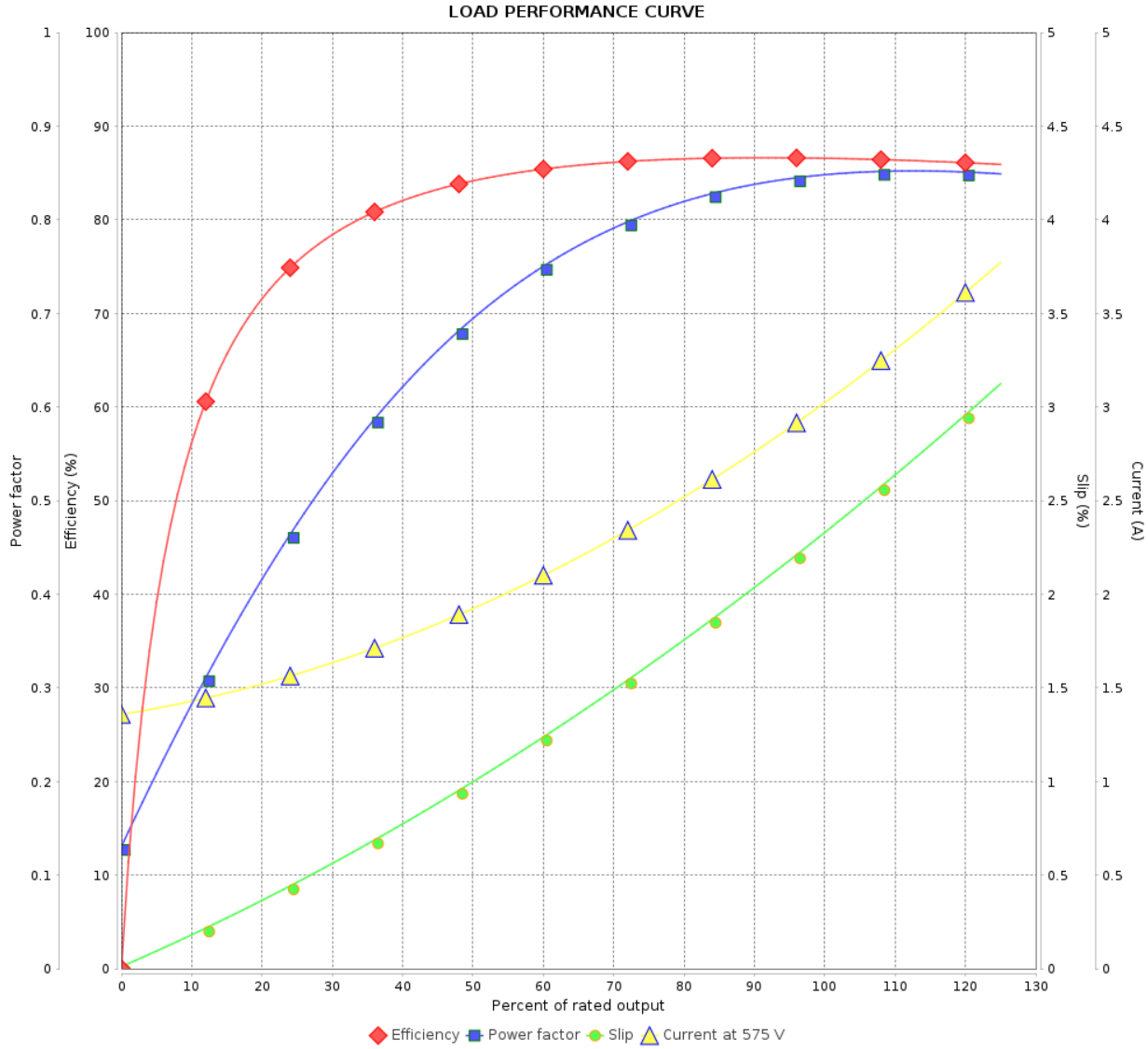
Three Phase Induction Motor - Squirrel Cage



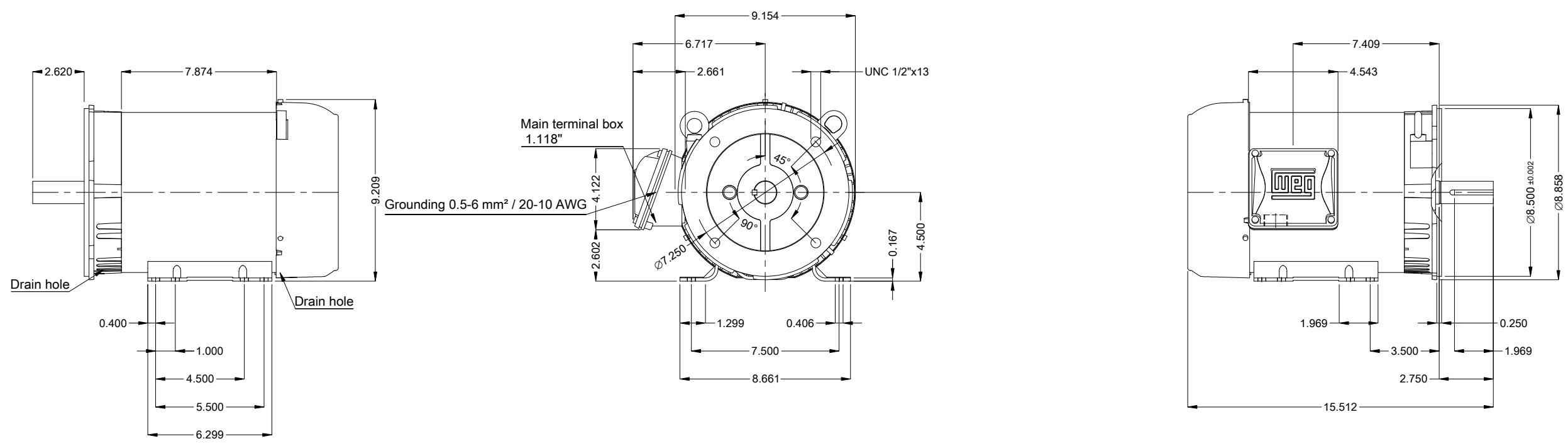
Customer : _____

Product line : Rolled Steel NEMA Premium
Efficiency Three-Phase

Product code : 12845391



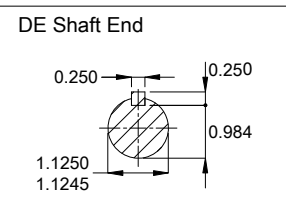
Rev.	Changes Summary	Performed	Checked	Date
Performed by			Page 2 / 2	Revision
Checked by				
Date				



A
B
C
D
E

1 2 3 4 5 6

Color Munsell N 1 matte black
 Painting plan 207N
 Mounting MARKET F-1/B34R(D)
 Mounting B34D



3 HP 02 Poles 60 Hz										A	
Scale 1 : 6											
HYBRISUSER										00	
ECM	LOC	SUMMARY OF MODIFICATIONS					EXECUTED	CHECKED	RELEASED	DATE	VER
EXECUTED	HYBRISUSER	THREE PH. MOTOR ROLLED STEEL NEMA PREM. EFF.					PREVIEW		WDD 00		
CHECKED		FRAME 182/4TC IP55 TEFC					SHEET 1 / 1				
RELEASED											
REL. DATE											