



# LOAD PERFORMANCE CURVE

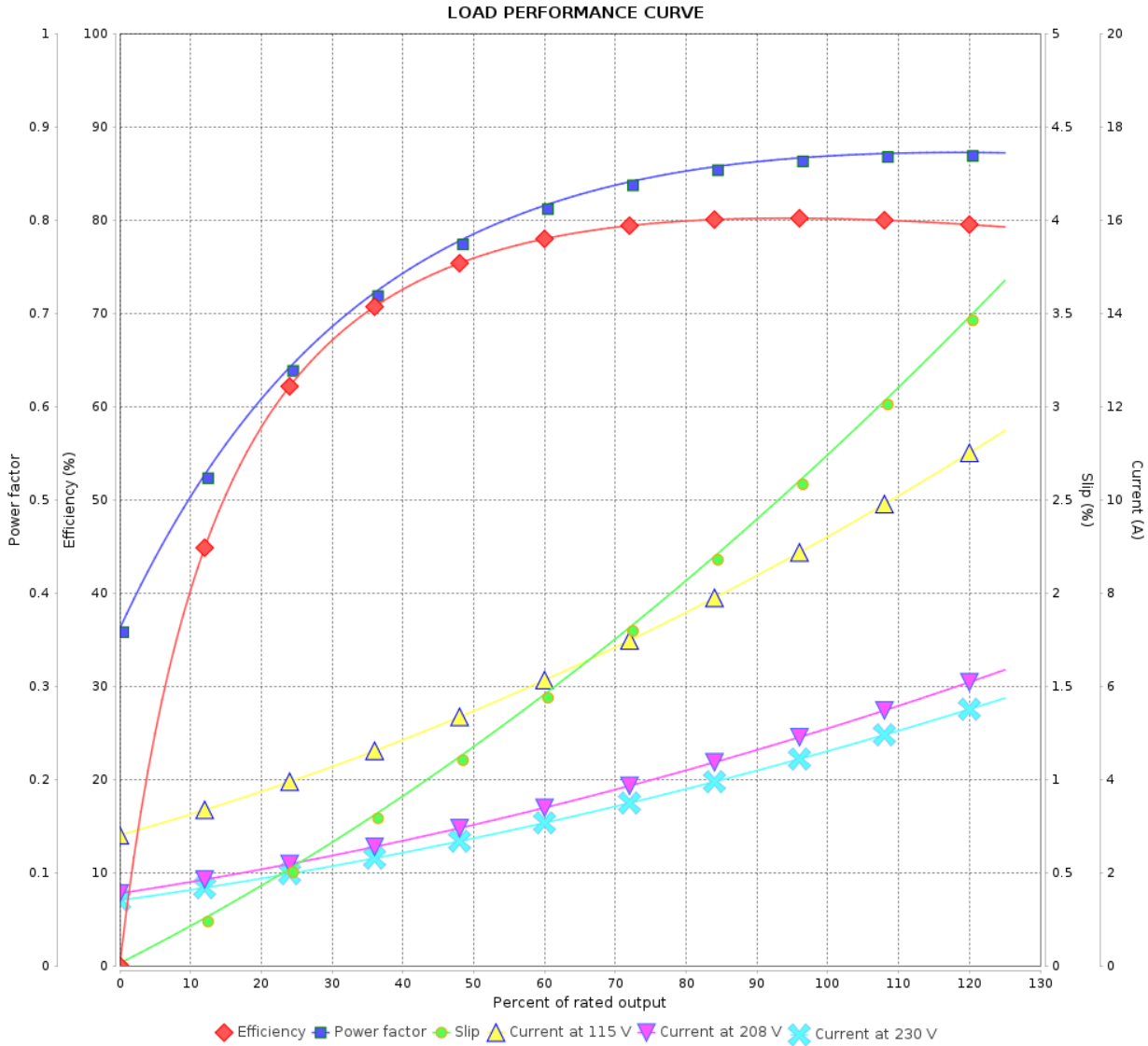
Single Phase Induction Motor - Squirrel Cage



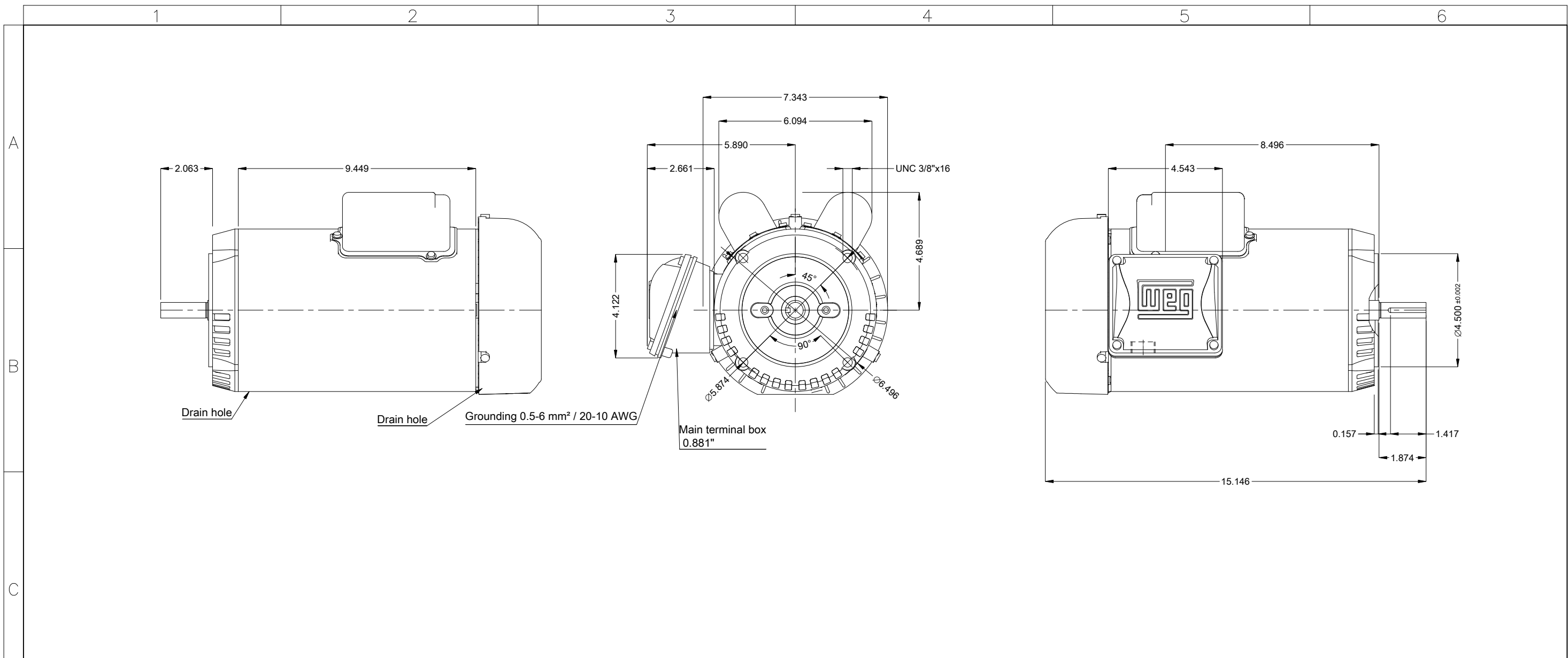
Customer : \_\_\_\_\_

Product line : Rolled Steel Single-Phase

Product code : 17254454

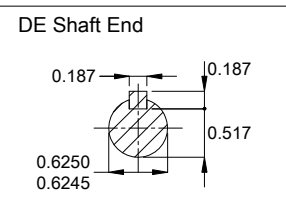


Rev.	Changes Summary	Performed	Checked	Date
Performed by			Page 2 / 2	Revision
Checked by				
Date 29/05/2026				



				1 HP 04 Poles 60 Hz		A
				Scale		1 : 4
				HYBRISUSER		00
ECM	LOC	SUMMARY OF MODIFICATIONS		EXECUTED	CHECKED	RELEASED
EXECUTED	HYBRISUSER	SINGLE PH. MOTOR ROLLED STEEL PREM. EFF.				
CHECKED		FRAME 56C IP55 TEFC				
RELEASED						
REL. DATE						

- Fan cover - steel plate
- Color Munsell N 1 matte black
- Painting plan 207N
- Mounting MARKET F-1/B14R(D)
- Mounting F-1/B14R(D)



				HYBRISUSER		00
		PREVIEW		WDD		00
		SHEET		1 / 1		

