

DATA SHEET



Three Phase Induction Motor - Squirrel Cage

Customer :

Product line : W22 Tru-Metric IE3 Three-Phase Product code : 12630174

Frame	: 160L	Locked rotor time	: 37s (cold) 21s (hot)
Output	: 15 HP (11 kW)	Temperature rise	: 80 K
Poles	: 6	Duty cycle	: S1
Frequency	: 60 Hz	Ambient temperature	: -20°C to +40°C
Rated voltage	: 575 V	Altitude	: 1000 m.a.s.l.
Rated current	: 15.7 A	Protection degree	: IP55
L. R. Amperes	: 125 A	Cooling method	: IC411 - TEFC
LRC	: 8.0	Mounting	: B35L(E)
No load current	: 8.00 A	Rotation ¹	: Both (CW and CCW)
Rated speed	: 1180 rpm	Noise level ²	: 59.0 dB(A)
Slip	: 1.67 %	Starting method	: Direct On Line
Rated torque	: 9.22 kgfm	Approx. weight ³	: 159 kg
Locked rotor torque	: 300 %		
Breakdown torque	: 340 %		
Insulation class	: F		
Service factor	: 1.25		
Moment of inertia (J)	: 0.1580 kgm ²		
Design	: N		

Output	50%	75%	100%	Foundation loads	
Efficiency (%)	88.5	90.2	91.7	Max. traction	: 414 kgf
Power Factor	0.60	0.71	0.77	Max. compression	: 573 kgf

Losses at normative operating points (speed;torque), in percentage of rated output power

P1 (0,9;1,0)	P2 (0,5;1,0)	P3 (0,25;1,0)	P4 (0,9;0,5)	P5 (0,5;0,5)	P6 (0,5;0,25)	P7 (0,25;0,25)
8.7	7.1	6.7	5.0	3.4	2.6	1.8

	Drive end	Non drive end
Bearing type	: 6309 C3	6209 C3
Sealing	: V'Ring	V'Ring
Lubrication interval	: 20000 h	20000 h
Lubricant amount	: 13 g	9 g
Lubricant type	: Mobil Polyrex EM	

Notes

This revision replaces and cancel the previous one, which must be eliminated.

- (1) Looking the motor from the shaft end.
- (2) Measured at 1m and with tolerance of +3dB(A).
- (3) Approximate weight subject to changes after manufacturing process.
- (4) At 100% of full load.

These are average values based on tests with sinusoidal power supply, subject to the tolerances stipulated in NEMA MG-1.

Rev.	Changes Summary	Performed	Checked	Date
Performed by				
Checked by			Page	Revision
Date	24/10/2024		1 / 2	

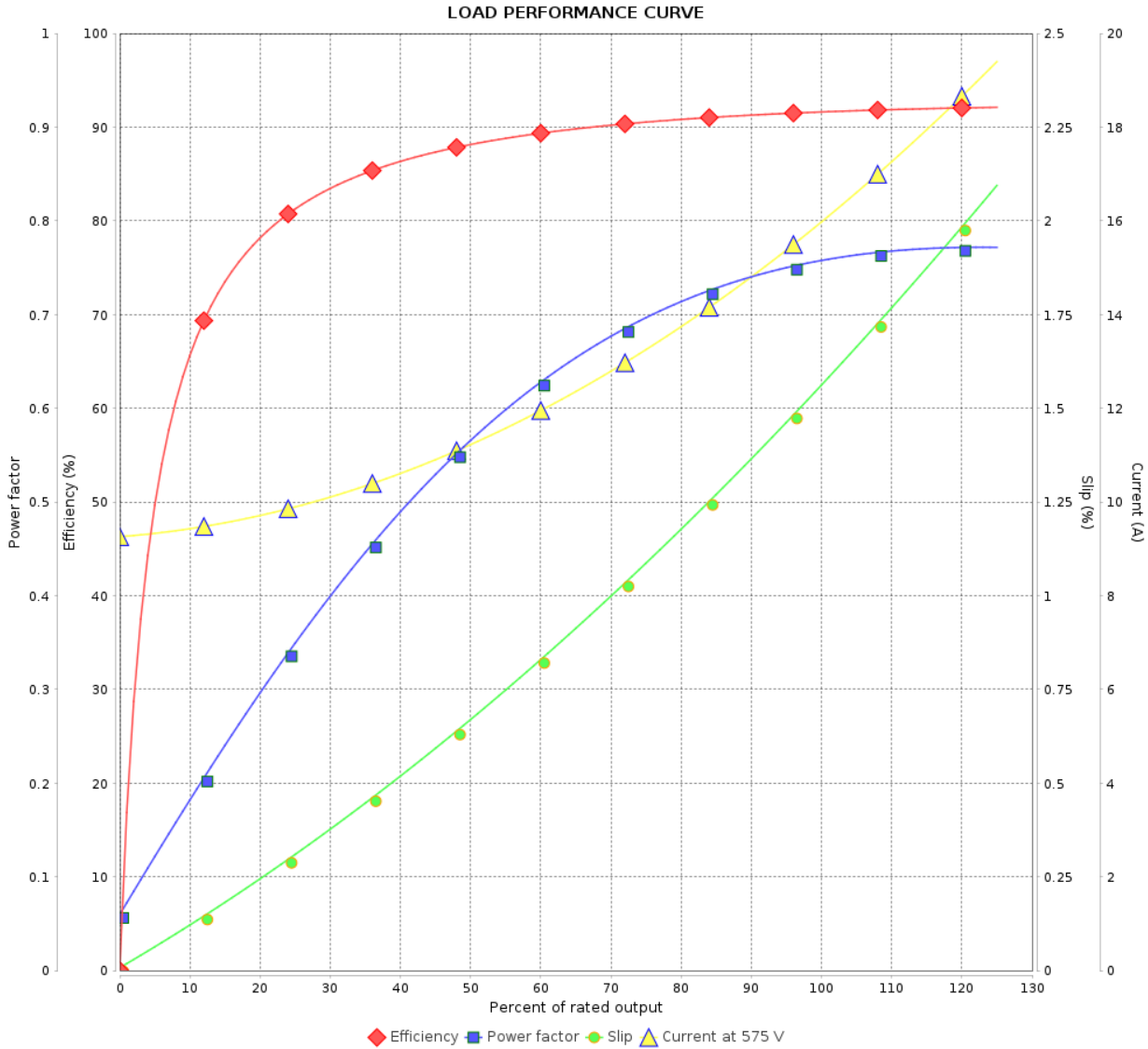
LOAD PERFORMANCE CURVE

Three Phase Induction Motor - Squirrel Cage



Customer :

Product line : W22 Tru-Metric IE3 Three-Phase Product code : 12630174

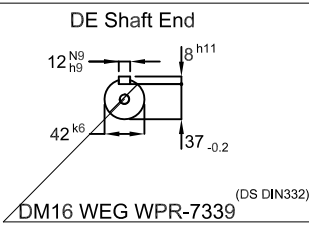
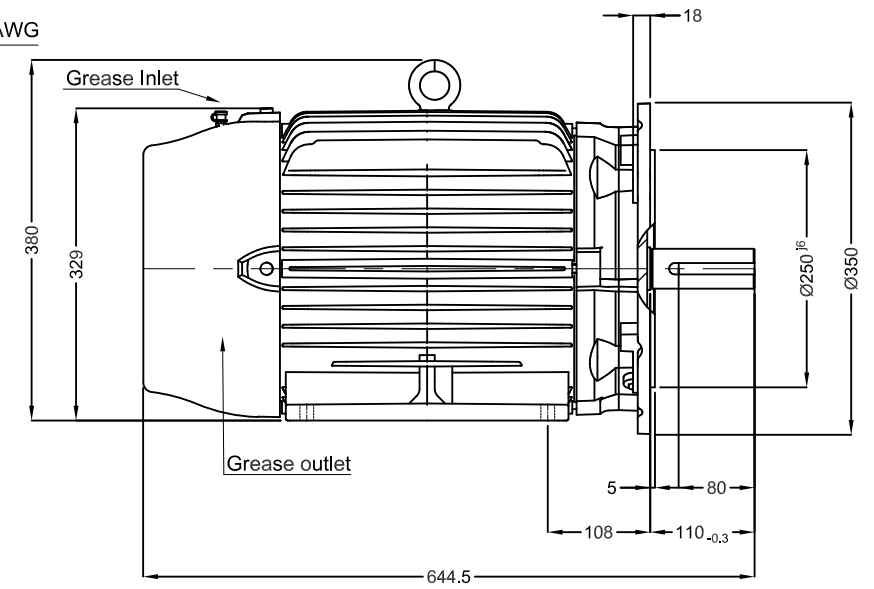
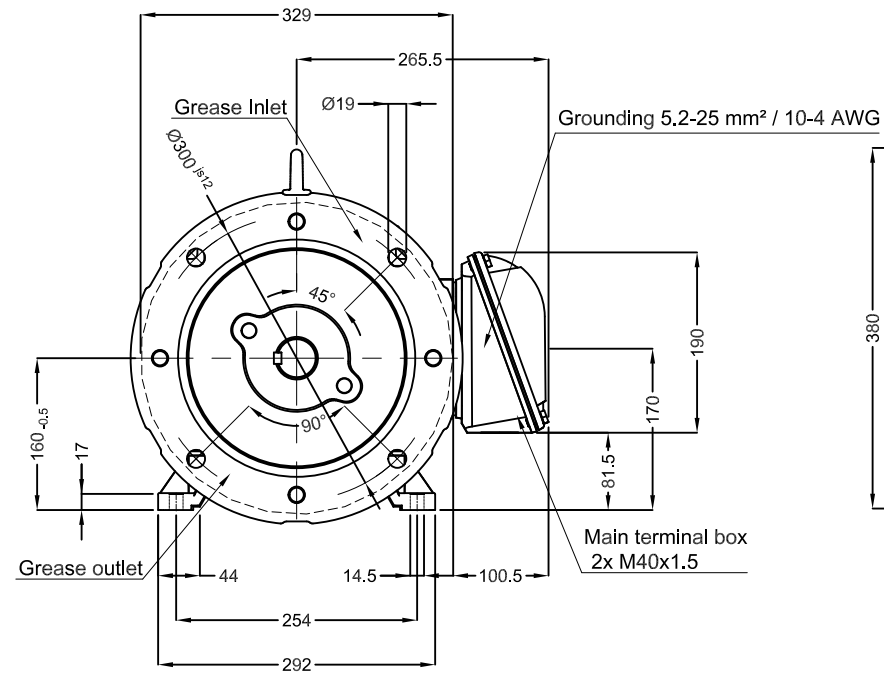
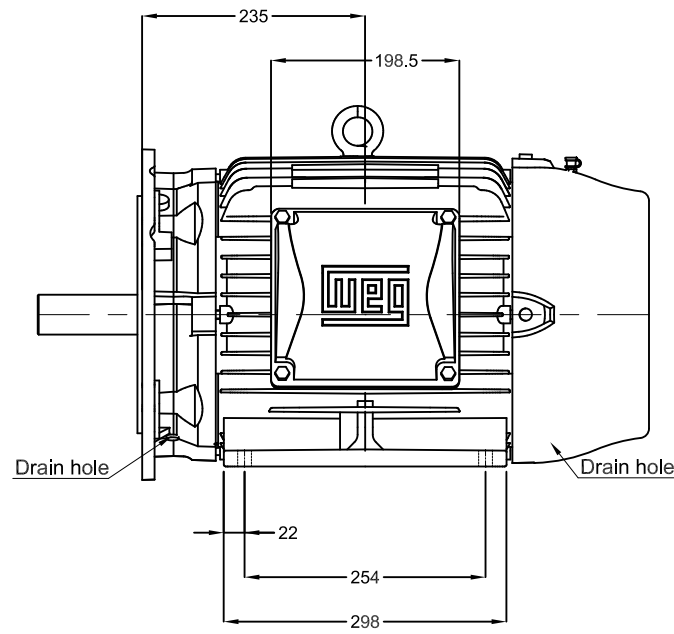


Performance : 575 V 60 Hz 6P

Rated current : 15.7 A
 LRC : 8.0
 Rated torque : 9.22 kgfm
 Locked rotor torque : 300 %
 Breakdown torque : 340 %
 Rated speed : 1180 rpm

Moment of inertia (J) : 0.1580 kgm²
 Duty cycle : S1
 Insulation class : F
 Service factor : 1.25
 Temperature rise : 80 K
 Design : N

Rev.	Changes Summary	Performed	Checked	Date
Performed by			Page 2 / 2	Revision
Checked by				
Date	24/10/2024			



Without vertical jackscrews
 Color RAL 5009
 Painting plan 203A
 Mounting B35L(E)

15 HP 06 Poles 60 Hz A

ECM	LOC	SUMMARY OF MODIFICATIONS	HYBRISUSER					00
EXECUTED	HYBRISUSER		EXECUTED	CHECKED	RELEASED	DATE	VER	
CHECKED		THREE PH. MOTOR W22 IE3 FRAME 160L IP55 TEFC	PREVIEW WDD 00 SHEET /					
RELEASED								
REL. DATE								