

DATA SHEET

Three Phase Induction Motor - Squirrel Cage



Customer :					
Product line		: Jet Pump - C type Three-Phase	Product code :	13722363	
Frame	: 56C	Cooling method	: IC411 - TEFC		
Insulation class	: F	Mounting	: W-6		
Duty cycle	: Cont.(S1)	Rotation ¹	: CCW		
Ambient temperature	: -20°C to +40°C	Starting method	: Direct On Line		
Altitude	: 1000 m.a.s.l.	Approx. weight ²	: 21.7 kg		
Protection degree	: IP55	Moment of inertia (J)	: 0.0070 kgm ²		
Design	: B				
Output [HP]	3	3	3		
Poles	2	2	2		
Frequency [Hz]	60	50	50		
Rated voltage [V]	230/460	190/380	220/415		
Rated current [A]	7.02/3.51	8.50/4.25	7.38/3.91		
L. R. Amperes [A]	66.7/33.3	62.9/31.5	65.6/34.8		
LRC [A]	9.5x(Code L)	7.4x(Code J)	8.9x(Code K)		
No load current [A]	2.56/1.28	2.52/1.26	2.72/1.44		
Rated speed [RPM]	3500	2870	2895		
Slip [%]	2.78	4.33	3.50		
Rated torque [kgfm]	0.621	0.759	0.752		
Locked rotor torque [%]	300	229	290		
Breakdown torque [%]	380	280	340		
Service factor		1.15	1.15		
Temperature rise	80 K	80 K	80 K		
Locked rotor time	18s (cold) 10s (hot)	16s (cold) 9s (hot)	14s (cold) 8s (hot)		
Noise level ²	68.0 dB(A)	65.0 dB(A)	65.0 dB(A)		
Efficiency (%)	25%				
	50%	84.0	86.6	86.2	
	75%	86.5	86.4	87.0	
	100%	86.5	84.6	86.0	
Power Factor	25%				
	50%	0.78	0.83	0.78	
	75%	0.87	0.90	0.87	
	100%	0.91	0.93	0.91	
Bearing type	: Drive end 6203 2RS Non drive end 6202 2RS	Foundation loads			
Sealing	: V'Ring V'Ring	Max. traction	: 71 kgf		
Lubrication interval	: - -	Max. compression	: 93 kgf		
Lubricant amount	: - -				
Lubricant type	: Mobil Polyrex EM				
Notes USABLE @208V 7.76A SF 1.00 SFA 7.76A					
This revision replaces and cancel the previous one, which must be eliminated. (1) Looking the motor from the shaft end. (2) Measured at 1m and with tolerance of +3dB(A). (3) Approximate weight subject to changes after manufacturing process. (4) At 100% of full load.			These are average values based on tests with sinusoidal power supply, subject to the tolerances stipulated in NEMA MG-1.		
Rev.	Changes Summary		Performed	Checked	Date
Performed by					
Checked by				Page	Revision
Date	17/05/2022			1 / 4	

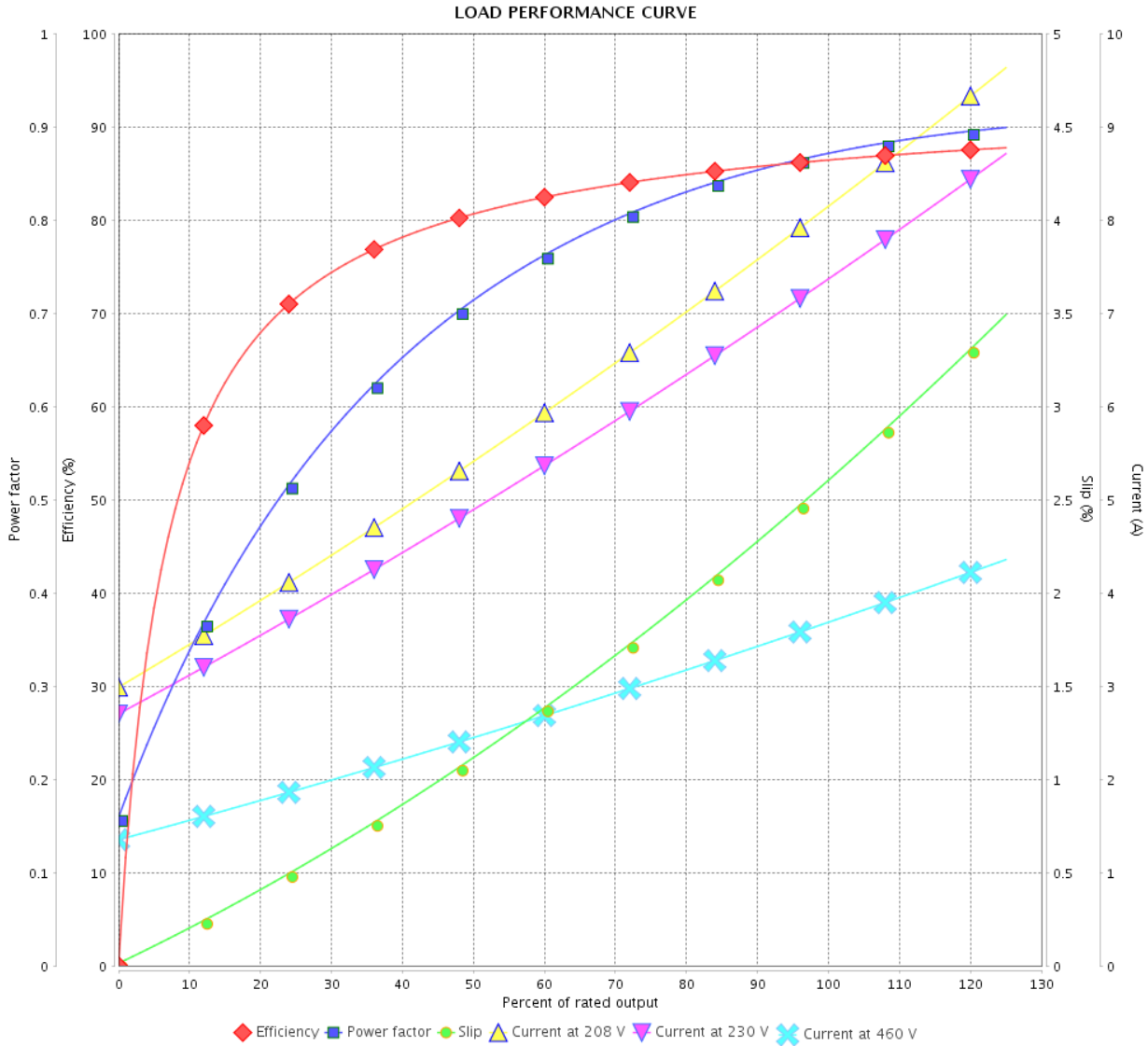
LOAD PERFORMANCE CURVE

Three Phase Induction Motor - Squirrel Cage



Customer :

Product line : Jet Pump - C type Three-Phase Product code : 13722363



Performance : 230/460 V 60 Hz 2P

Rated current : 7.02/3.51 A
 LRC : 9.5
 Rated torque : 0.621 kgfm
 Locked rotor torque : 300 %
 Breakdown torque : 380 %
 Rated speed : 3500 rpm

Moment of inertia (J) : 0.0070 kgm²
 Duty cycle : Cont.(S1)
 Insulation class : F
 Service factor :
 Temperature rise : 80 K
 Design : B

Rev.	Changes Summary	Performed	Checked	Date
Performed by			Page 2 / 4	Revision
Checked by				
Date	17/05/2022			

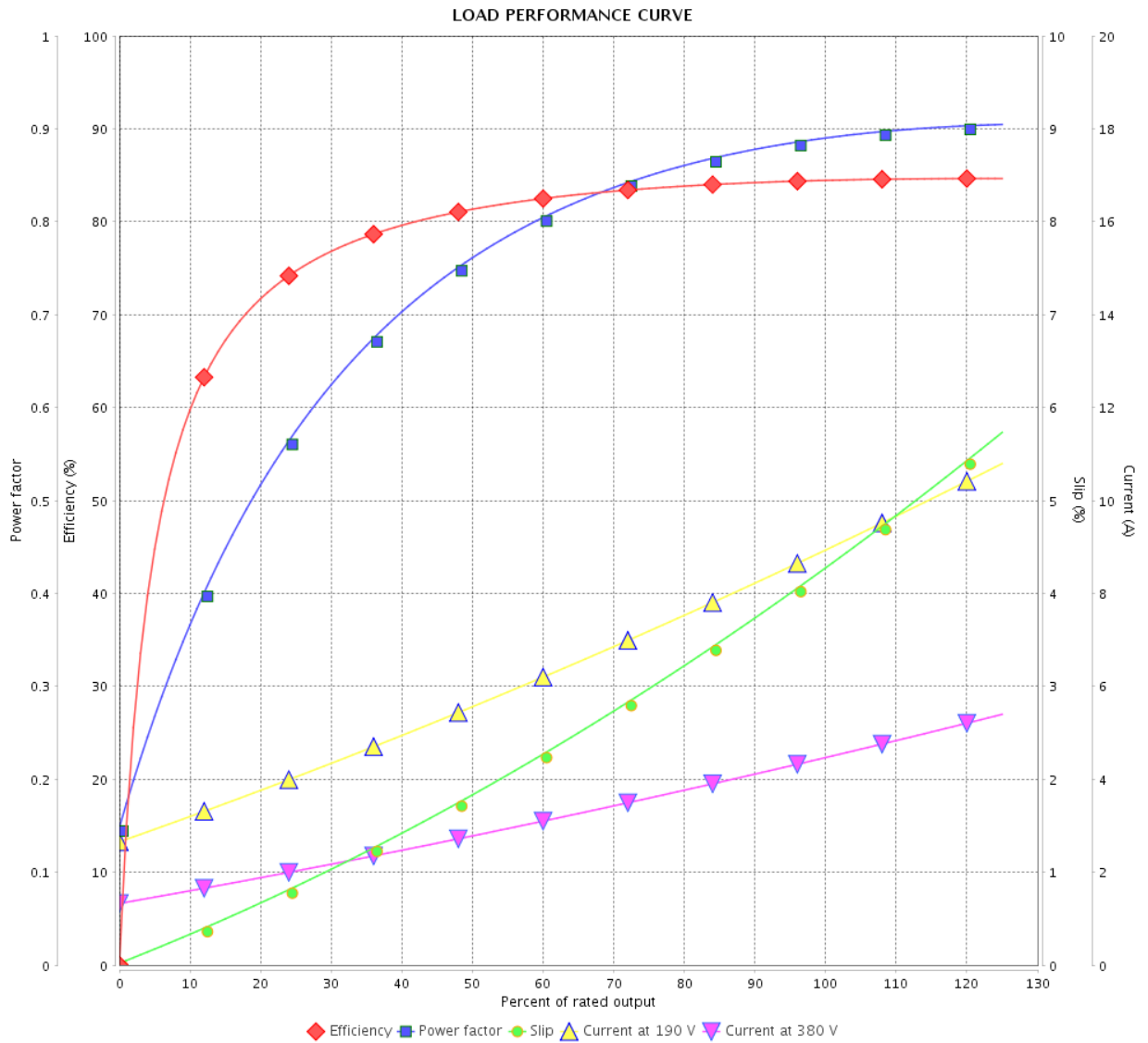
LOAD PERFORMANCE CURVE

Three Phase Induction Motor - Squirrel Cage



Customer :

Product line : Jet Pump - C type Three-Phase Product code : 13722363



Performance : 190/380 V 50 Hz 2P

Rated current : 8.50/4.25 A
 LRC : 7.4
 Rated torque : 0.759 kgfm
 Locked rotor torque : 229 %
 Breakdown torque : 280 %
 Rated speed : 2870 rpm

Moment of inertia (J) : 0.0070 kgm²
 Duty cycle : Cont.(S1)
 Insulation class : F
 Service factor : 1.15
 Temperature rise : 80 K
 Design : B

Rev.	Changes Summary	Performed	Checked	Date
Performed by			Page	Revision
Checked by				
Date				

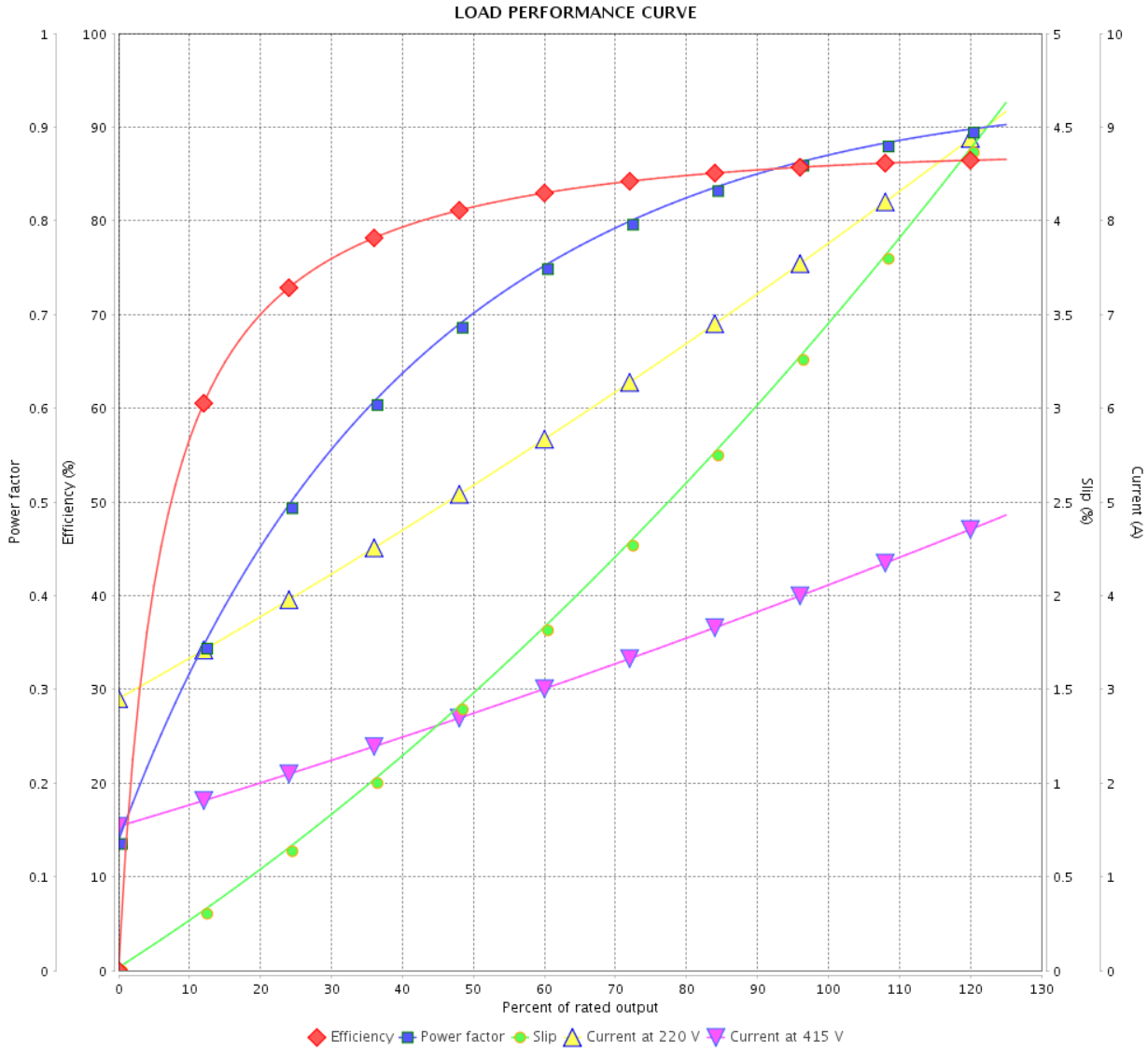
LOAD PERFORMANCE CURVE

Three Phase Induction Motor - Squirrel Cage



Customer :

Product line : Jet Pump - C type Three-Phase Product code : 13722363



Performance : 220/415 V 50 Hz 2P

Rated current : 7.38/3.91 A
 LRC : 8.9
 Rated torque : 0.752 kgfm
 Locked rotor torque : 290 %
 Breakdown torque : 340 %
 Rated speed : 2895 rpm

Moment of inertia (J) : 0.0070 kgm²
 Duty cycle : Cont.(S1)
 Insulation class : F
 Service factor : 1.15
 Temperature rise : 80 K
 Design : B

Rev.	Changes Summary	Performed	Checked	Date
Performed by			Page	Revision
Checked by				
Date				

1 2 3 4 5 6

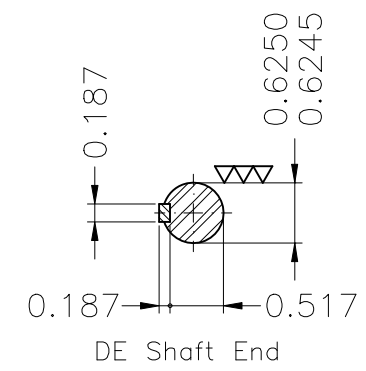
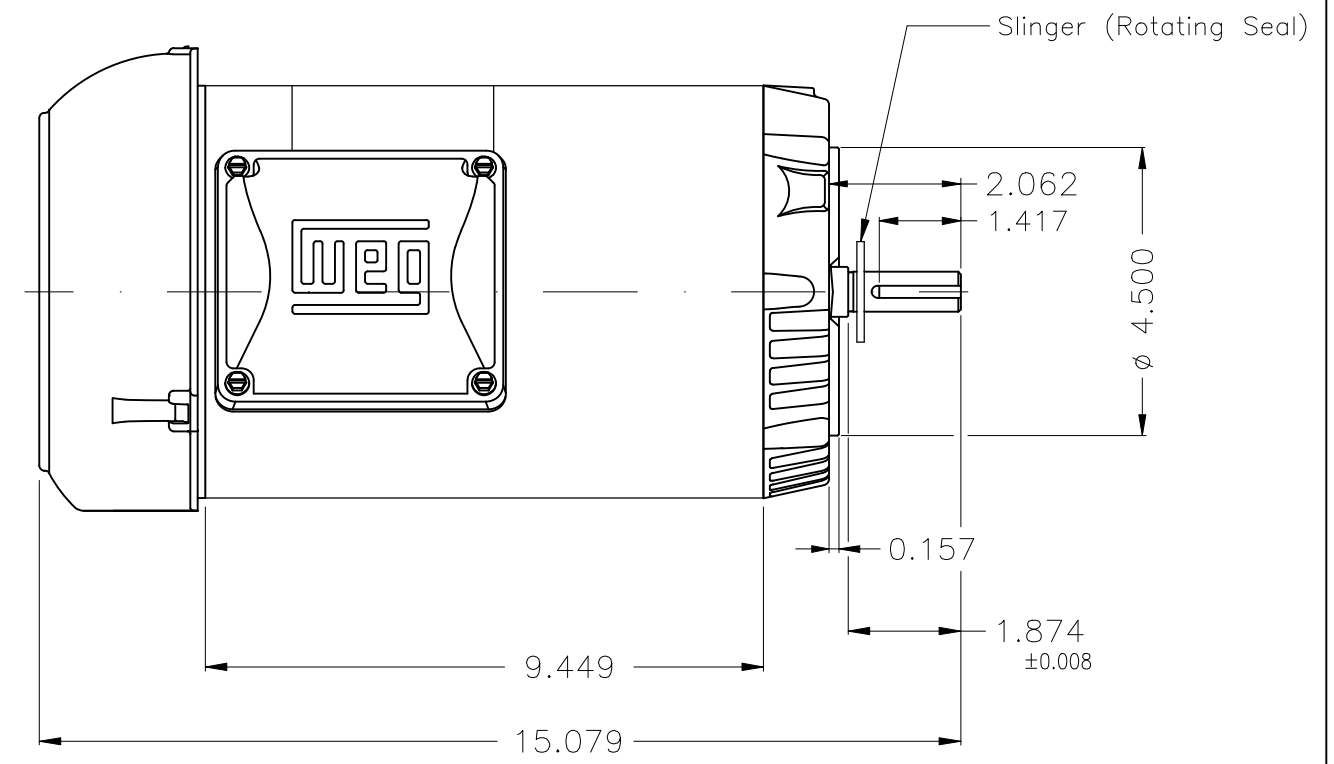
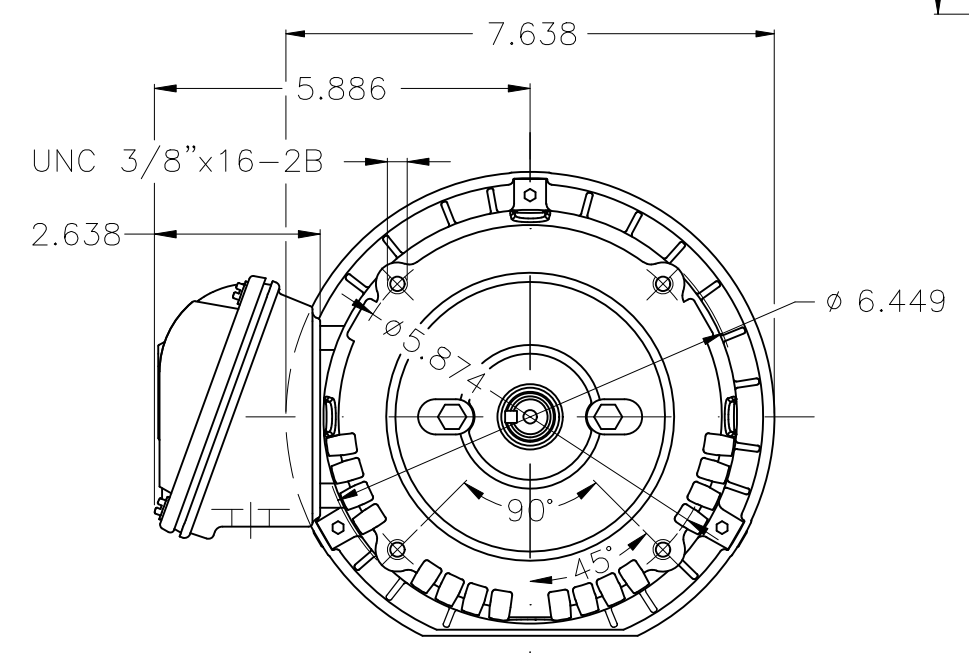
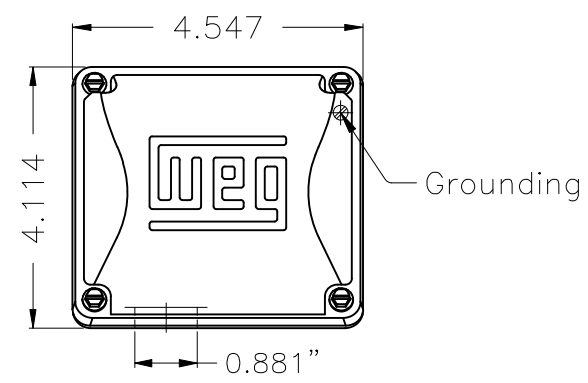
A

B

C

D

E



NDE sealing - V ring
 Color Munsell N 1 matte black
 Painting plan 207N
 Mounting W-6/V18R(D)

						HYBRISUSER								00	
ECM	LOC	SUMMARY OF MODIFICATIONS				EXECUTED	CHECKED	RELEASED	DATE	VER					
EXECUTED	HYBRISUSER	THREE PH. MOTOR ROLLED STEEL JET PUMP KEYED PREM. EFF.									PREVIEW				
CHECKED		FRAME 56C IP55 TEFC									WDD 00				
RELEASED											SHEET 1 / 1				
REL. DATE		WMO	Jaragua do Sul	Product Engineering											

3 HP 02 Poles 60 Hz

A

