

DATA SHEET



Three Phase Induction Motor - Squirrel Cage

Customer		:	
Product line		: Jet Pump - C type Three-Phase	Product code : 13722360
Frame	: 56C	Cooling method	: IC411 - TEFC
Insulation class	: F	Mounting	: W-6
Duty cycle	: Cont.(S1)	Rotation ¹	: CCW
Ambient temperature	: -20°C to +40°C	Starting method	: Direct On Line
Altitude	: 1000 m.a.s.l.	Approx. weight ²	: 17.7 kg
Protection degree	: IP55	Moment of inertia (J)	: 0.0054 kgm ²
Design	: B		
Output [HP]	2	2	2
Poles	2	2	2
Frequency [Hz]	60	50	50
Rated voltage [V]	230/460	190/380	220/415
Rated current [A]	4.94/2.47	5.94/2.97	5.23/2.77
L. R. Amperes [A]	48.9/24.5	44.0/22.0	46.0/24.4
LRC [A]	9.9x(Code L)	7.4x(Code J)	8.8x(Code K)
No load current [A]	2.13/1.06	2.10/1.05	2.27/1.20
Rated speed [RPM]	3520	2875	2900
Slip [%]	2.22	4.17	3.33
Rated torque [kgfm]	0.412	0.505	0.501
Locked rotor torque [%]	250	229	280
Breakdown torque [%]	300	280	340
Service factor		1.15	1.15
Temperature rise	80 K	80 K	80 K
Locked rotor time	23s (cold) 13s (hot)	21s (cold) 12s (hot)	18s (cold) 10s (hot)
Noise level ²	68.0 dB(A)	65.0 dB(A)	65.0 dB(A)
Efficiency (%)	25%		
	50%	82.5	83.3
	75%	85.5	84.9
	100%	85.5	84.5
Power Factor	25%		
	50%	0.73	0.73
	75%	0.83	0.84
	100%	0.89	0.89
Bearing type	: Drive end 6203 2RS Non drive end 6202 2RS	Foundation loads	
Sealing	: V'Ring V'Ring	Max. traction	: 46 kgf
Lubrication interval	: - -	Max. compression	: 63 kgf
Lubricant amount	: - -		
Lubricant type	: Mobil Polyrex EM		
Notes USABLE @208V 5.46A SF 1.00 SFA 5.46A			
This revision replaces and cancel the previous one, which must be eliminated. (1) Looking the motor from the shaft end. (2) Measured at 1m and with tolerance of +3dB(A). (3) Approximate weight subject to changes after manufacturing process. (4) At 100% of full load.		These are average values based on tests with sinusoidal power supply, subject to the tolerances stipulated in NEMA MG-1.	
Rev.	Changes Summary	Performed	Checked
			Date
Performed by			
Checked by			Page
Date	17/05/2022		Revision
			1 / 4

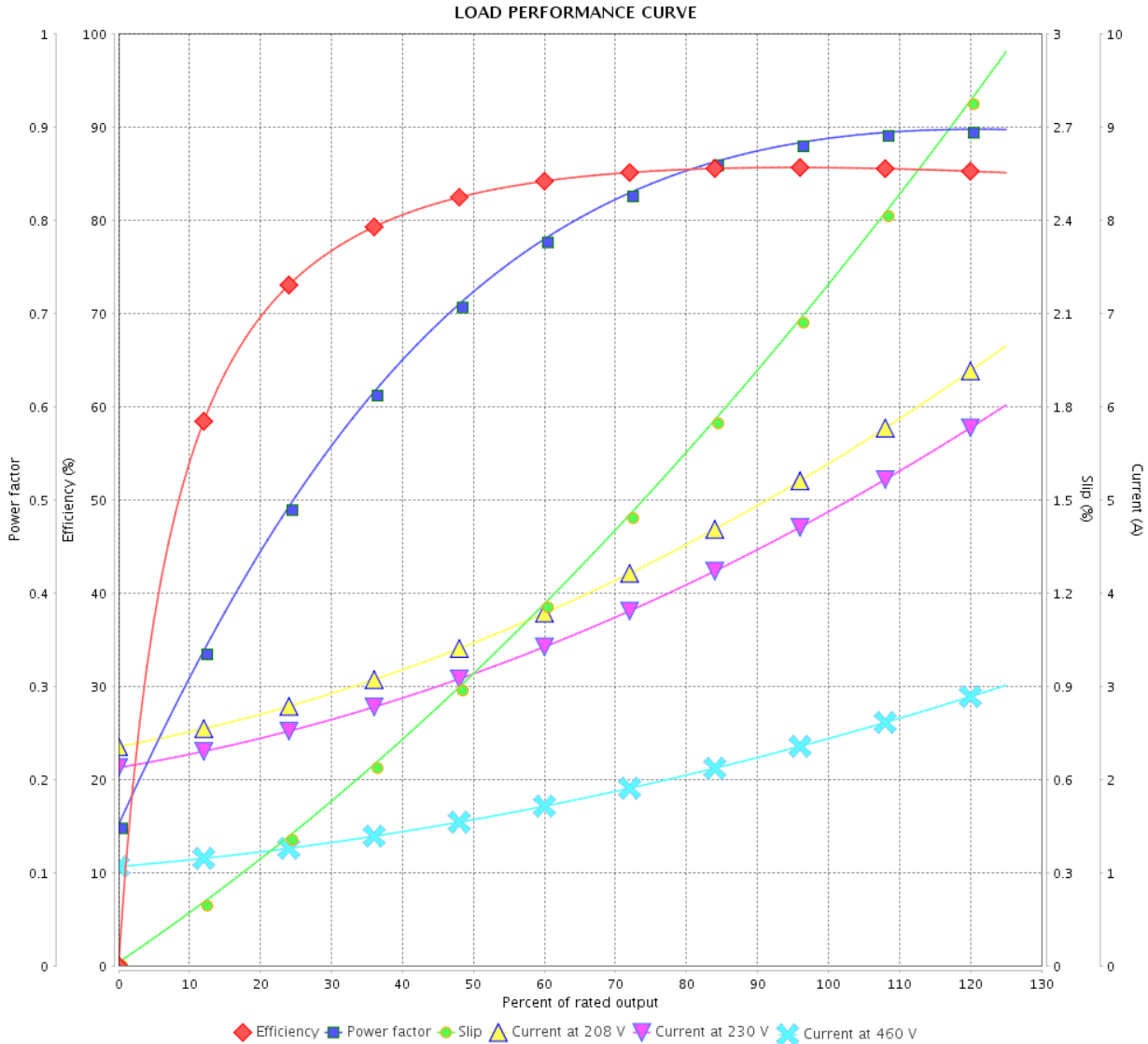
LOAD PERFORMANCE CURVE

Three Phase Induction Motor - Squirrel Cage



Customer :

Product line : Jet Pump - C type Three-Phase Product code : 13722360



Performance : 230/460 V 60 Hz 2P

Rated current : 4.94/2.47 A
 LRC : 9.9
 Rated torque : 0.412 kgfm
 Locked rotor torque : 250 %
 Breakdown torque : 300 %
 Rated speed : 3520 rpm

Moment of inertia (J) : 0.0054 kgm²
 Duty cycle : Cont.(S1)
 Insulation class : F
 Service factor :
 Temperature rise : 80 K
 Design : B

Rev.	Changes Summary	Performed	Checked	Date
Performed by			Page 2 / 4	Revision
Checked by				
Date	17/05/2022			

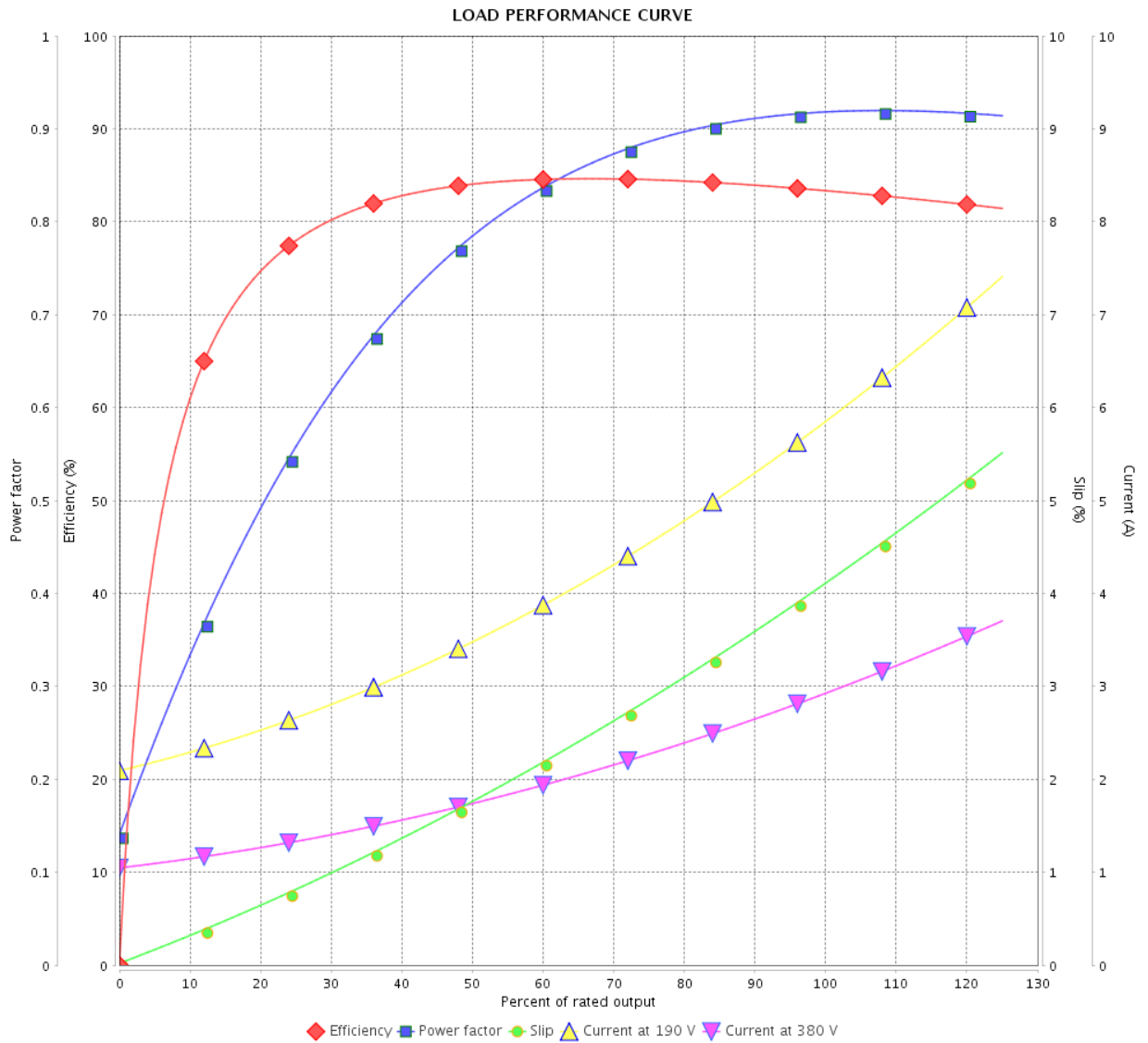
LOAD PERFORMANCE CURVE

Three Phase Induction Motor - Squirrel Cage



Customer : _____

Product line : Jet Pump - C type Three-Phase Product code : 13722360



Performance : 190/380 V 50 Hz 2P

Rated current : 5.94/2.97 A
 LRC : 7.4
 Rated torque : 0.505 kgfm
 Locked rotor torque : 229 %
 Breakdown torque : 280 %
 Rated speed : 2875 rpm

Moment of inertia (J) : 0.0054 kgm²
 Duty cycle : Cont.(S1)
 Insulation class : F
 Service factor : 1.15
 Temperature rise : 80 K
 Design : B

Rev.	Changes Summary	Performed	Checked	Date
Performed by			Page 3 / 4	Revision
Checked by				
Date	17/05/2022			

LOAD PERFORMANCE CURVE

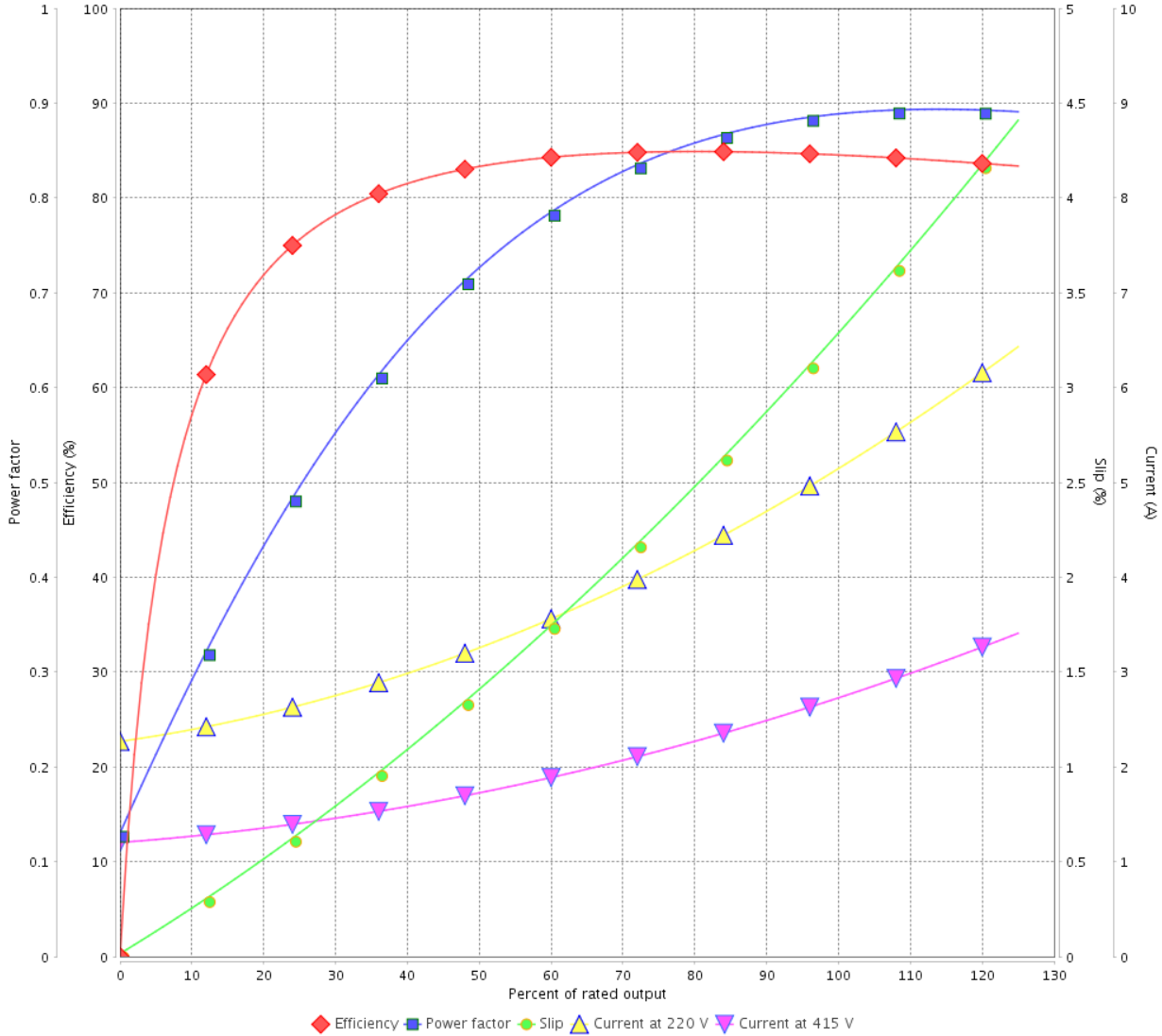
Three Phase Induction Motor - Squirrel Cage



Customer :

Product line : Jet Pump - C type Three-Phase Product code : 13722360

LOAD PERFORMANCE CURVE



Performance : 220/415 V 50 Hz 2P

Rated current : 5.23/2.77 A
 LRC : 8.8
 Rated torque : 0.501 kgfm
 Locked rotor torque : 280 %
 Breakdown torque : 340 %
 Rated speed : 2900 rpm

Moment of inertia (J) : 0.0054 kgm²
 Duty cycle : Cont.(S1)
 Insulation class : F
 Service factor : 1.15
 Temperature rise : 80 K
 Design : B

Rev.	Changes Summary	Performed	Checked	Date
Performed by			Page	Revision
Checked by				
Date				

1 2 3 4 5 6

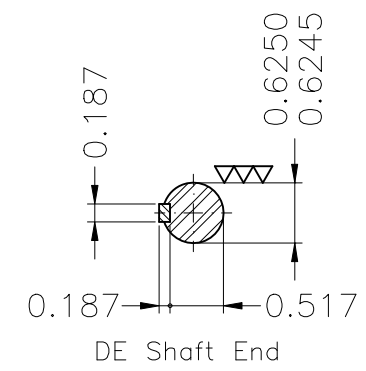
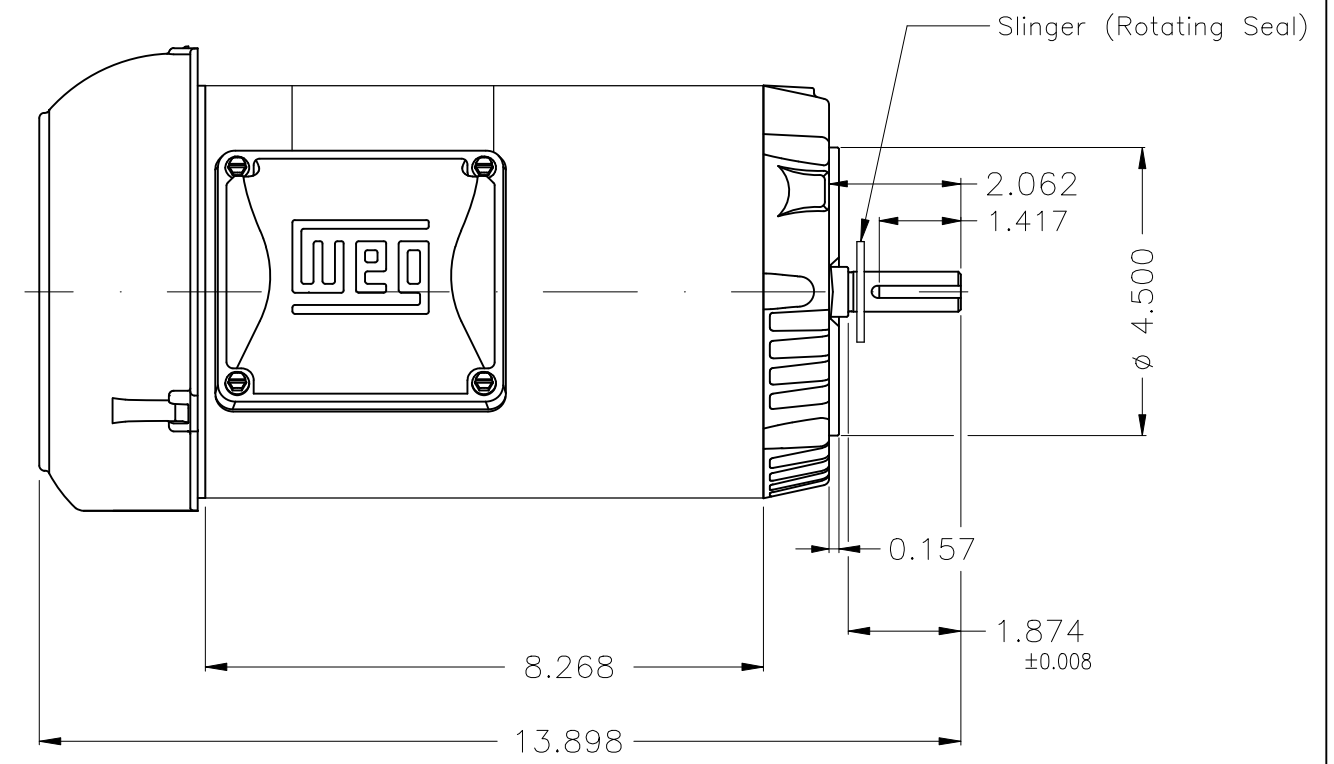
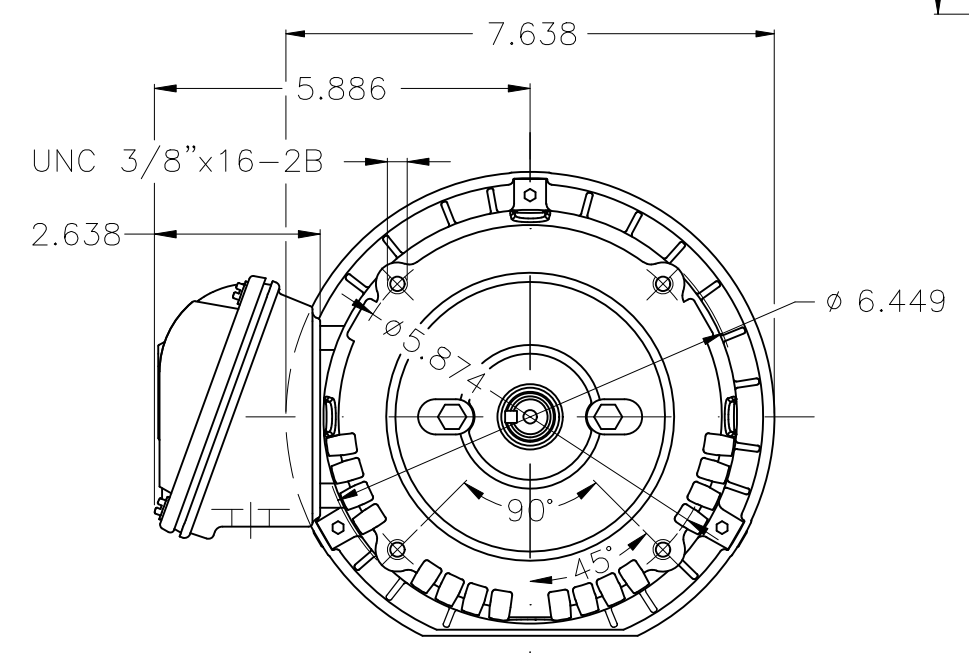
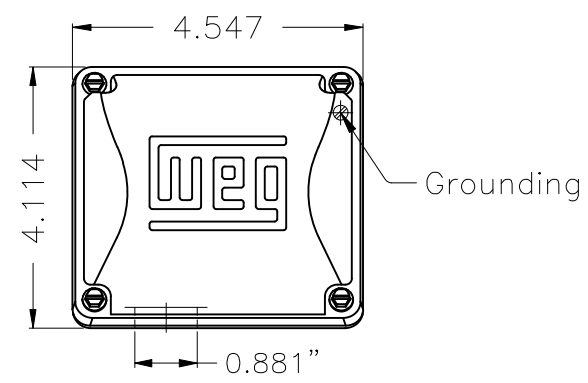
A

B

C

D

E



NDE sealing - V ring
 Color Munsell N 1 matte black
 Painting plan 207N
 Mounting W-6/V18R(D)

ECM	LOC	SUMMARY OF MODIFICATIONS	EXECUTED	CHECKED	RELEASED	DATE	VER
EXECUTED	HYBRISUSER	THREE PH. MOTOR ROLLED STEEL JET PUMP KEYED PREM. EFF.					00
CHECKED		FRAME 56C IP55 TEFC					
RELEASED							
REL. DATE	WMO	Jaragua do Sul	Product Engineering	WDD	00	1 / 1	

2 HP 02 Poles 60 Hz

A

