

# DATA SHEET



## Single Phase Induction Motor - Squirrel Cage

Customer :				
Product line		: Centrifugal Pump Single-Phase Start Capacitor		Product code : 10744003
Frame	: F56HC		Locked rotor time	: 10s (cold) 6s (hot)
Output	: 2 HP (1.5 kW)		Temperature rise	: 80 K
Poles	: 2		Duty cycle	: Cont.(S1)
Frequency	: 60 Hz		Ambient temperature	: -20°C to +40°C
Rated voltage	: 115/208-230 V		Altitude	: 1000 m.a.s.l.
Rated current	: 20.0/10.6-10.0 A		Protection degree	: IP55
L. R. Amperes	: 140/74.2-70.0 A		Cooling method	: IC411 - TEFC
LRC	: 7.0x(Code K)		Mounting	: F-1
No load current	: 9.00/3.88-4.50 A		Rotation <sup>1</sup>	: Both (CW and CCW)
Rated speed	: 3470 rpm		Noise level <sup>2</sup>	: 55.0 dB(A)
Slip	: 3.61 %		Starting method	: Direct On Line
Rated torque	: 0.418 kgfm		Approx. weight <sup>3</sup>	: 20.1 kg
Locked rotor torque	: 250 %			
Breakdown torque	: 240 %			
Insulation class	: B			
Service factor	: 1.15			
Moment of inertia (J)	: 0.0033 kgm <sup>2</sup>			
Output	50%	75%	100%	Foundation loads
Efficiency (%)	69.0	73.0	74.0	Max. traction : 22 kgf
Power Factor	0.72	0.81	0.87	Max. compression : 42 kgf
Bearing type	:	<u>Drive end</u> 6204 2RS	<u>Non drive end</u> 6203 2RS	
Sealing	:	V'Ring	V'Ring	
Lubrication interval	:	-	-	
Lubricant amount	:	-	-	
Lubricant type	:	Mobil Polyrex EM		
Notes				
This revision replaces and cancel the previous one, which must be eliminated. (1) Looking the motor from the shaft end. (2) Measured at 1m and with tolerance of +3dB(A). (3) Approximate weight subject to changes after manufacturing process. (4) At 100% of full load.			These are average values based on tests with sinusoidal power supply, subject to the tolerances stipulated in NEMA MG-1.	
Rev.	Changes Summary		Performed	Checked
Performed by				
Checked by				
Date	24/10/2024			
			Page	Revision
			1 / 2	

# LOAD PERFORMANCE CURVE

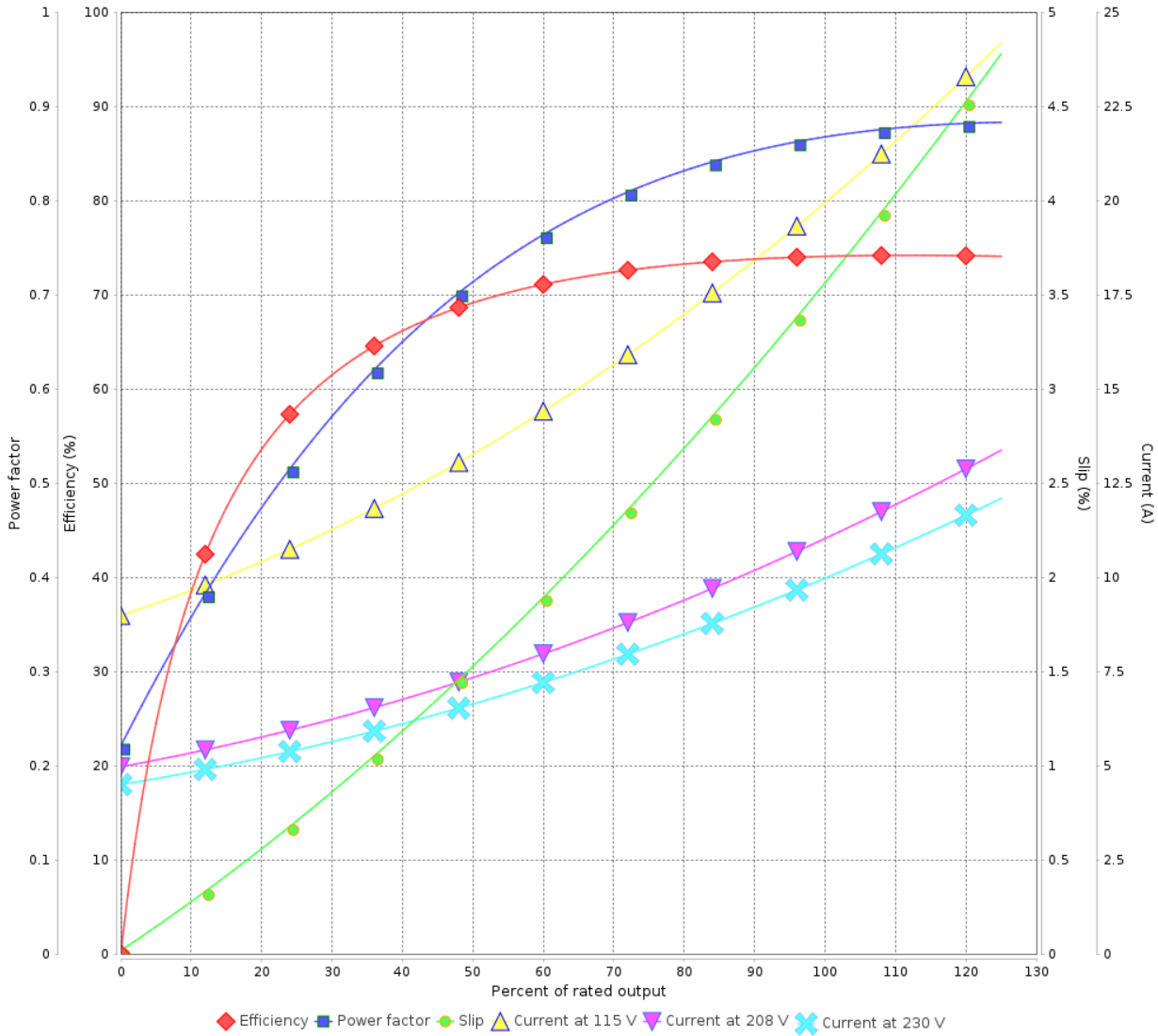
Single Phase Induction Motor - Squirrel Cage



Customer :

Product line : Centrifugal Pump Single-Phase Start Capacitor      Product code : 10744003

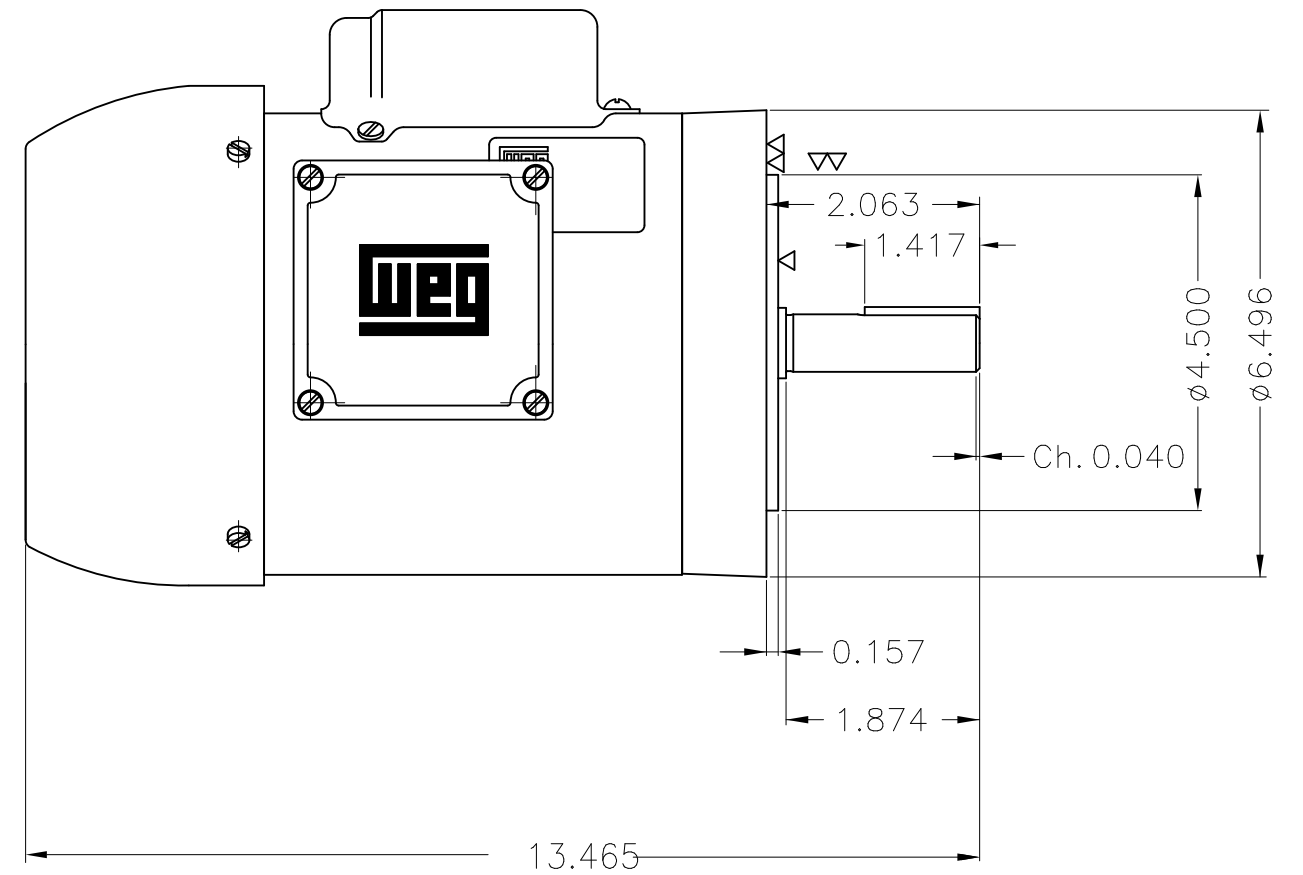
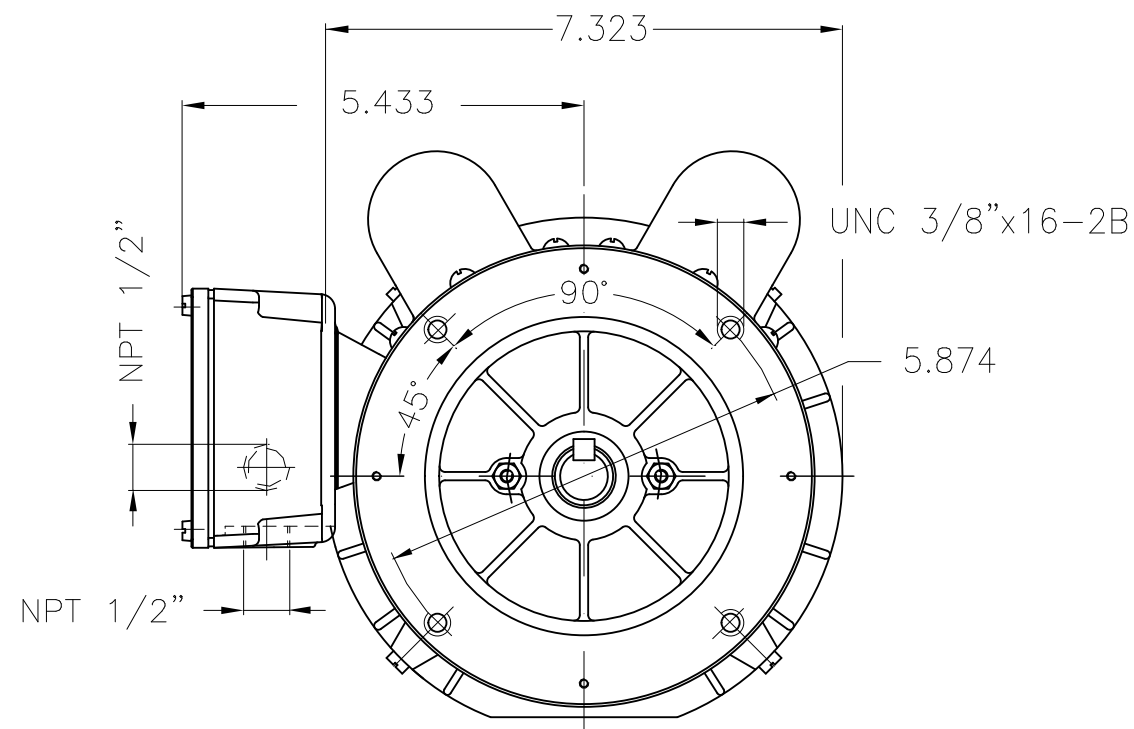
LOAD PERFORMANCE CURVE

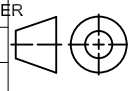



Performance : 115/208-230 V 60 Hz 2P

Rated current	: 20.0/10.6-10.0 A	Moment of inertia (J)	: 0.0033 kgm <sup>2</sup>
LRC	: 7.0	Duty cycle	: Cont.(S1)
Rated torque	: 0.418 kgfm	Insulation class	: B
Locked rotor torque	: 250 %	Service factor	:
Breakdown torque	: 240 %	Temperature rise	: 80 K
Rated speed	: 3470 rpm		

Rev.	Changes Summary	Performed	Checked	Date
Performed by				
Checked by			Page	Revision
Date	24/10/2024		2 / 2	



Mounting B14R(D)						
ECM	LOC	SUMMARY OF MODIFICATIONS	EXECUTED	CHECKED	RELEASED	DATE
EXECUTED	DATAVIEWER	 SINGLE PH. MOTOR CENTRIFUGAL PUMP FRAME F56HC IP55 TEFC				
CHECKED	USER					
RELEASED						
REL DT.	WMO	Jaragua do Sul	Product Engineering	<b>PREVIEW</b> WDD		
SHEET			1 / 1			

2 HP 02 Poles 60 Hz