

# DATA SHEET



## Three Phase Induction Motor - Squirrel Cage

Customer :	
Product line	: Jet Pump - C type Three-Phase
Product code :	13722358
Frame	: 56C
Insulation class	: F
Duty cycle	: Cont.(S1)
Ambient temperature	: -20°C to +40°C
Altitude	: 1000 m.a.s.l.
Protection degree	: IP55
Design	: B
Cooling method	: IC411 - TEFC
Mounting	: W-6
Rotation <sup>1</sup>	: CCW
Starting method	: Direct On Line
Approx. weight <sup>2</sup>	: 15.4 kg
Moment of inertia (J)	: 0.0043 kgm <sup>2</sup>
Output [HP]	1.5
Poles	2
Frequency [Hz]	60
Rated voltage [V]	230/460
Rated current [A]	3.74/1.87
L. R. Amperes [A]	34.0/17.0
LRC [A]	9.1x(Code L)
No load current [A]	1.72/0.859
Rated speed [RPM]	3520
Slip [%]	2.22
Rated torque [kgfm]	0.309
Locked rotor torque [%]	229
Breakdown torque [%]	300
Service factor	1.15
Temperature rise	80 K
Locked rotor time	30s (cold) 17s (hot)
Noise level <sup>2</sup>	68.0 dB(A)
Efficiency (%)	25%
	50%
	75%
	100%
Power Factor	25%
	50%
	75%
	100%
Bearing type	: Drive end 6203 2RS Non drive end 6202 2RS
Sealing	: V'Ring V'Ring
Lubrication interval	: - -
Lubricant amount	: - -
Lubricant type	: Mobil Polyrex EM
Foundation loads	Max. traction : 32 kgf
	Max. compression : 47 kgf
Notes	
USABLE @208V 4.13A SF 1.00 SFA 4.13A	
This revision replaces and cancel the previous one, which must be eliminated.	
(1) Looking the motor from the shaft end.	
(2) Measured at 1m and with tolerance of +3dB(A).	
(3) Approximate weight subject to changes after manufacturing process.	
(4) At 100% of full load.	
These are average values based on tests with sinusoidal power supply, subject to the tolerances stipulated in NEMA MG-1.	
Rev.	Changes Summary
Performed by	Performed
Checked by	Checked
Date	17/05/2022
Page	1 / 4
Revision	

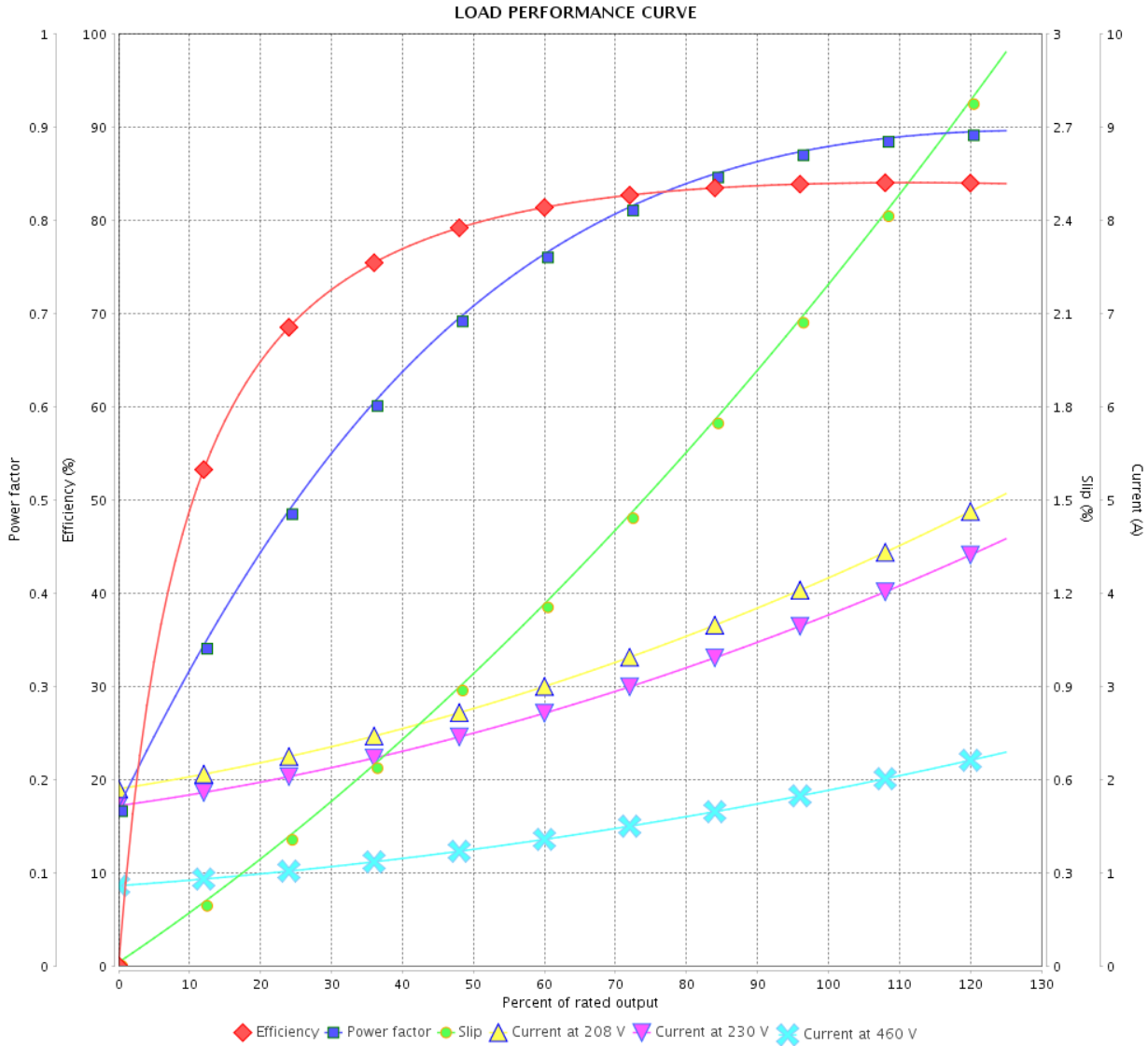
# LOAD PERFORMANCE CURVE

Three Phase Induction Motor - Squirrel Cage



Customer :

Product line : Jet Pump - C type Three-Phase Product code : 13722358



Performance : 230/460 V 60 Hz 2P

Rated current : 3.74/1.87 A  
 LRC : 9.1  
 Rated torque : 0.309 kgfm  
 Locked rotor torque : 229 %  
 Breakdown torque : 300 %  
 Rated speed : 3520 rpm

Moment of inertia (J) : 0.0043 kgm<sup>2</sup>  
 Duty cycle : Cont.(S1)  
 Insulation class : F  
 Service factor :  
 Temperature rise : 80 K  
 Design : B

Rev.	Changes Summary	Performed	Checked	Date
Performed by			Page 2 / 4	Revision
Checked by				
Date	17/05/2022			

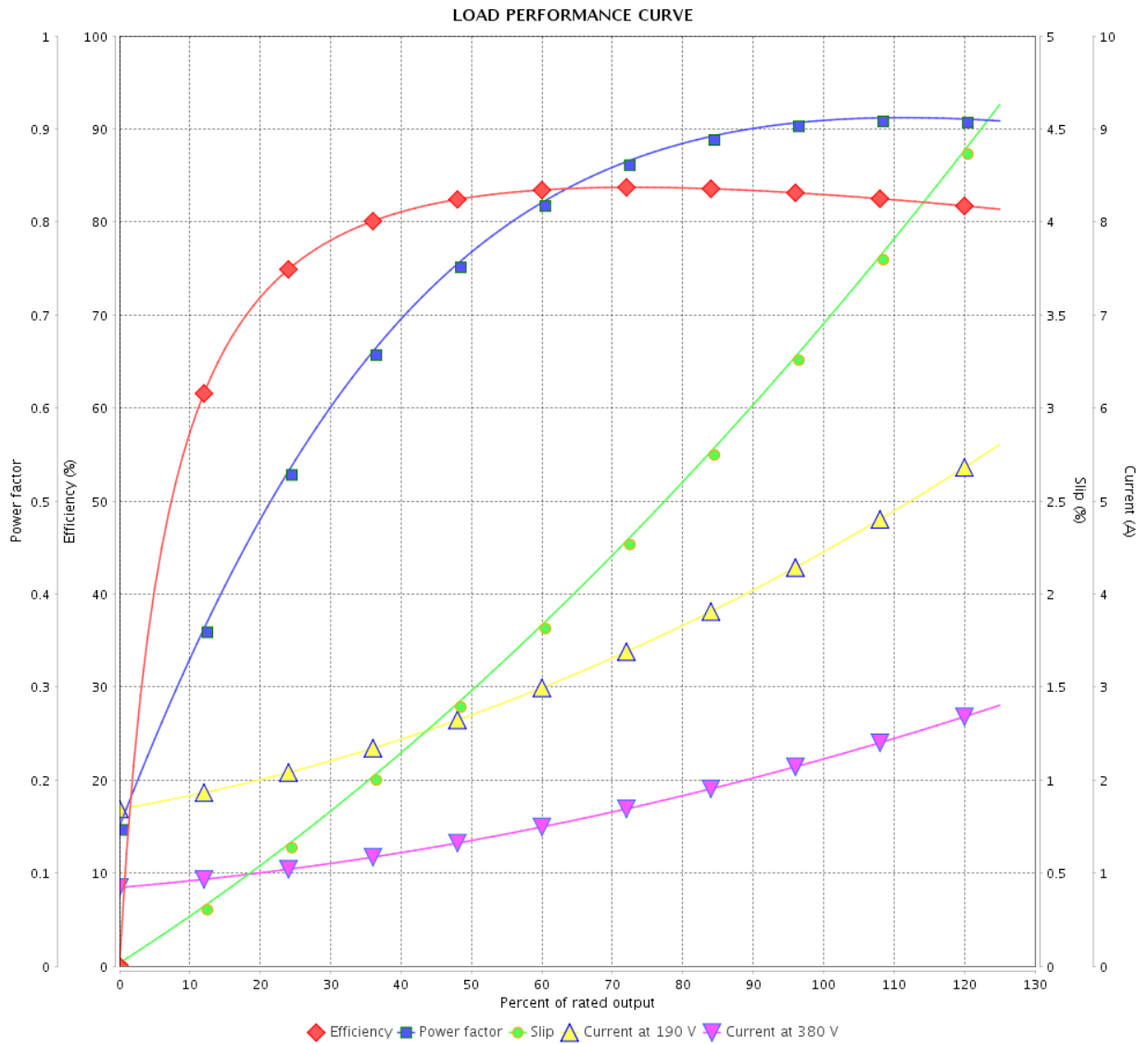
# LOAD PERFORMANCE CURVE

Three Phase Induction Motor - Squirrel Cage



Customer : \_\_\_\_\_

Product line : Jet Pump - C type Three-Phase      Product code : 13722358



Performance : 190/380 V 50 Hz 2P

Rated current : 4.44/2.22 A  
 LRC : 7.2  
 Rated torque : 0.376 kgfm  
 Locked rotor torque : 190 %  
 Breakdown torque : 280 %  
 Rated speed : 2895 rpm

Moment of inertia (J) : 0.0043 kgm<sup>2</sup>  
 Duty cycle : Cont.(S1)  
 Insulation class : F  
 Service factor : 1.15  
 Temperature rise : 80 K  
 Design : B

Rev.	Changes Summary	Performed	Checked	Date
Performed by			Page	Revision
Checked by				
Date				

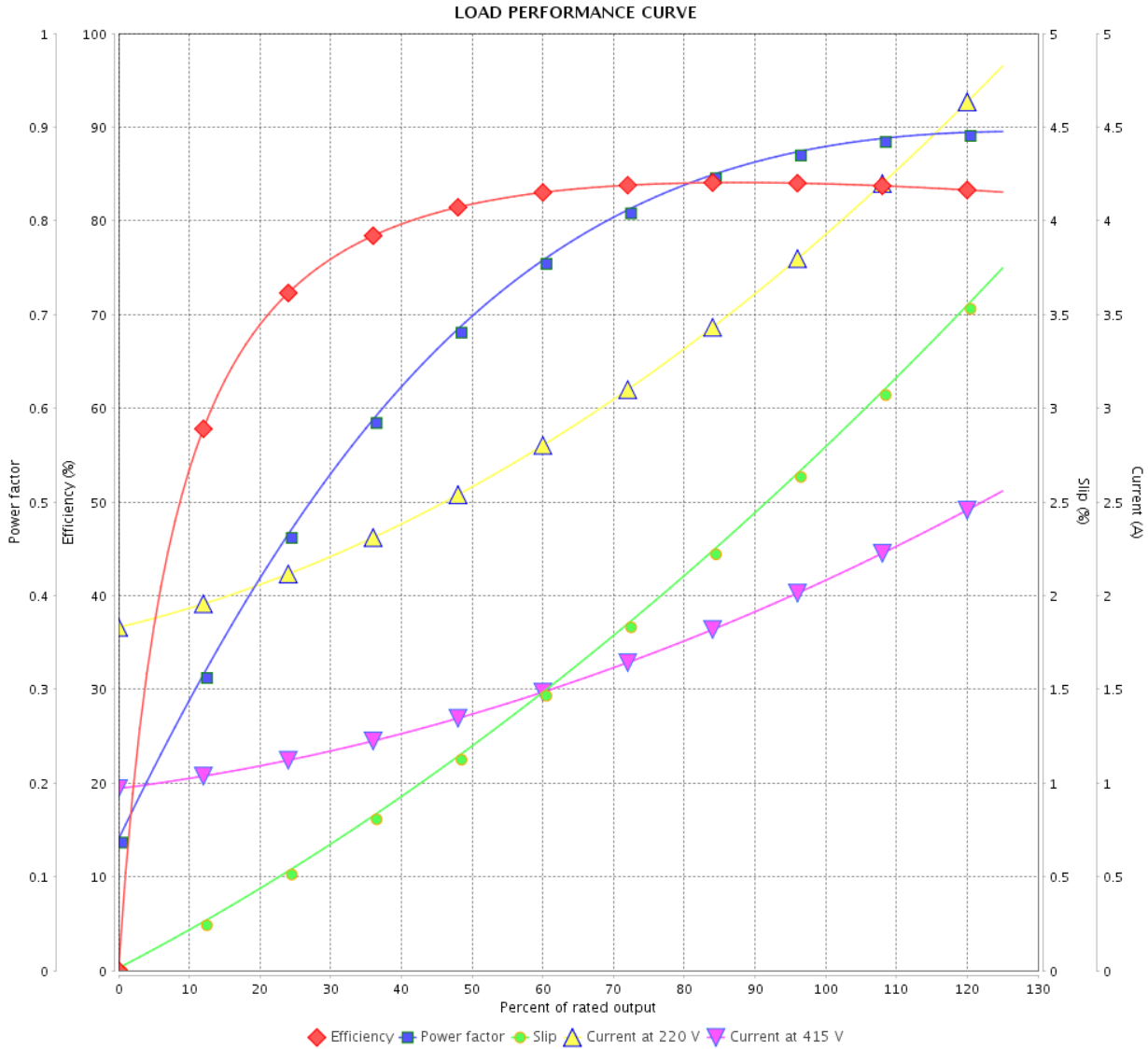
# LOAD PERFORMANCE CURVE

Three Phase Induction Motor - Squirrel Cage



Customer :

Product line : Jet Pump - C type Three-Phase      Product code : 13722358



Performance : 220/415 V 50 Hz 2P

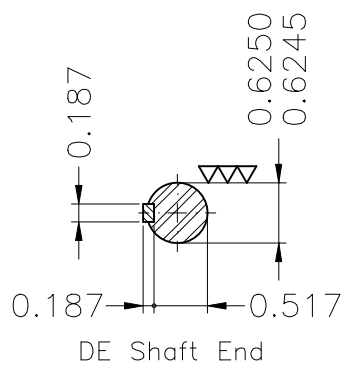
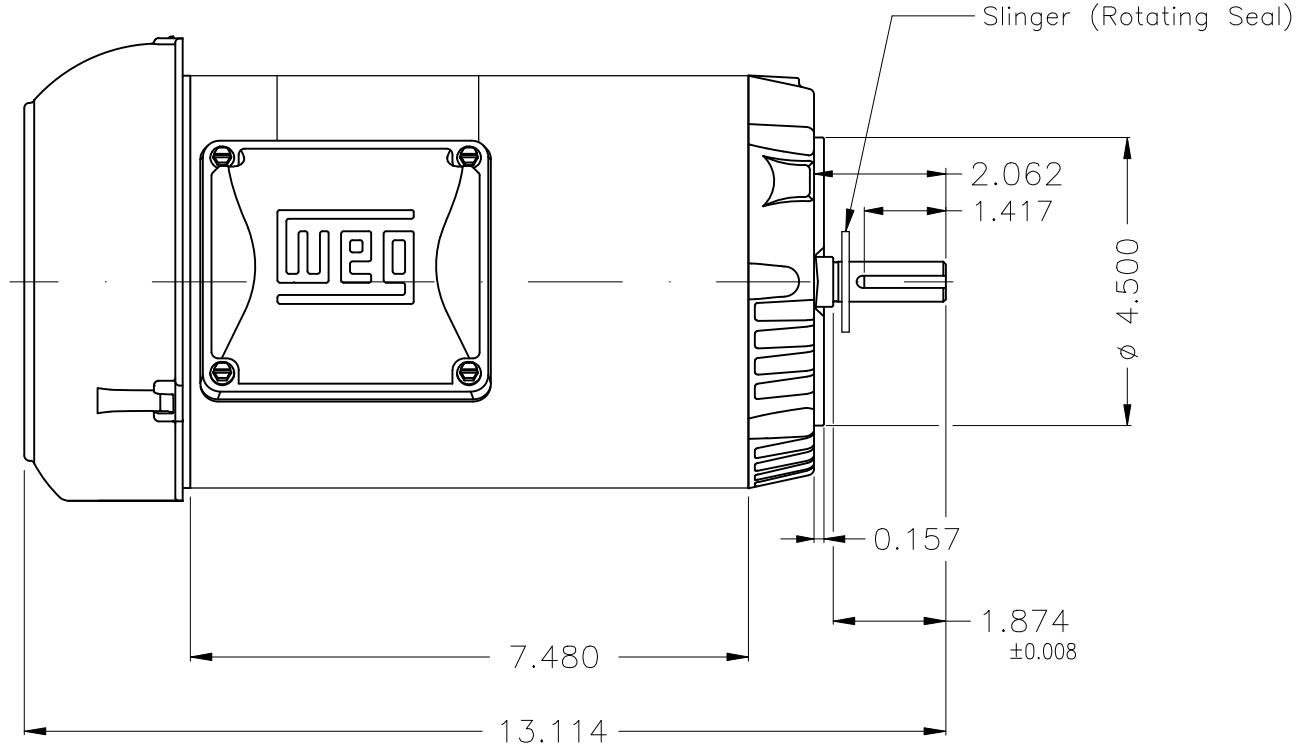
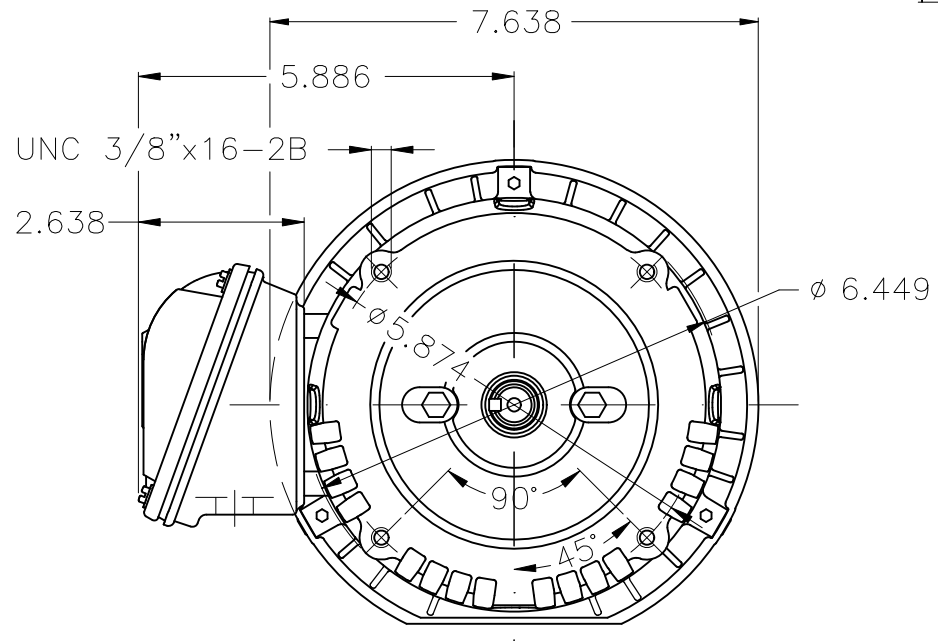
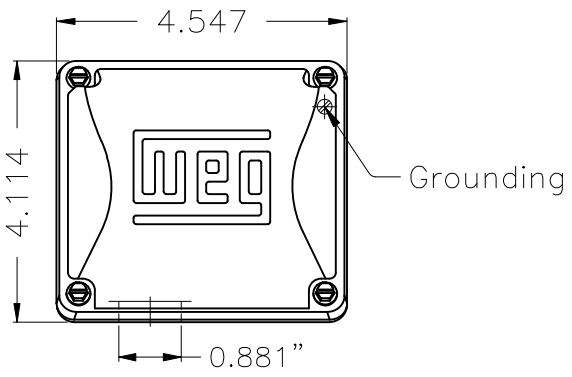
Rated current : 3.90/2.07 A  
 LRC : 8.5  
 Rated torque : 0.373 kgfm  
 Locked rotor torque : 240 %  
 Breakdown torque : 330 %  
 Rated speed : 2915 rpm

Moment of inertia (J) : 0.0043 kgm<sup>2</sup>  
 Duty cycle : Cont.(S1)  
 Insulation class : F  
 Service factor : 1.15  
 Temperature rise : 80 K  
 Design : B

Rev.	Changes Summary	Performed	Checked	Date
Performed by			Page 4 / 4	Revision
Checked by				
Date	17/05/2022			

1 2 3 4 5 6

A



DE Shaft End

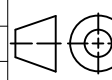
B

C

D

E

NDE sealing - V ring  
 Color Munsell N 1 matte black  
 Painting plan 207N  
 Mounting W-6/V18R(D)

ECM	LOC		THREE PH. MOTOR ROLLED STEEL JET PUMP KEYED PREM. EFF. FRAME 56C IP55 TEFC	HYBRISUSER					00	
EXECUTED	HYBRISUSER			EXECUTED	CHECKED	RELEASED	DATE	VER		
CHECKED				PREVIEW						
RELEASED				WDD   00						
REL. DATE		WMO	Jaragua do Sul	Product Engineering	SHEET	1	/	1		

1.5 HP 02 Poles 60 Hz

Dimensions in inches

XME A3