

# DATA SHEET



## Single Phase Induction Motor - Squirrel Cage

Customer :

Product line : Centrifugal Pump Single-Phase Start Capacitor      Product code : 10678036

Frame	: E56C	Locked rotor time	: 10s (cold) 6s (hot)
Output	: 3 HP (2.2 kW)	Temperature rise	: 80 K
Poles	: 2	Duty cycle	: Cont.(S1)
Frequency	: 60 Hz	Ambient temperature	: -20°C to +40°C
Rated voltage	: 230 V	Altitude	: 1000 m.a.s.l.
Rated current	: 15.0 A	Protection degree	: IP21
L. R. Amperes	: 105 A	Cooling method	: IC01 - ODP
LRC	: 7.0x(Code K)	Mounting	: F-1
No load current	: 8.40 A	Rotation <sup>1</sup>	: Both (CW and CCW)
Rated speed	: 3475 rpm	Noise level <sup>2</sup>	: 55.0 dB(A)
Slip	: 3.47 %	Starting method	: Direct On Line
Rated torque	: 0.627 kgfm	Approx. weight <sup>3</sup>	: 20.0 kg
Locked rotor torque	: 220 %		
Breakdown torque	: 229 %		
Insulation class	: B		
Service factor	: 1.15		
Moment of inertia (J)	: 0.0028 kgm <sup>2</sup>		

Output	50%	75%	100%	Foundation loads
Efficiency (%)	76.7	78.7	77.1	Max. traction
Power Factor	0.63	0.76	0.83	Max. compression

		<u>Drive end</u>	<u>Non drive end</u>
Bearing type	:	6203 2RS	6203 2RS
Sealing	:	Without Bearing Seal	Without Bearing Seal
Lubrication interval	:	-	-
Lubricant amount	:	-	-
Lubricant type	:	Mobil Polyrex EM	

Notes:

This revision replaces and cancel the previous one, which must be eliminated.

- (1) Looking the motor from the shaft end.
- (2) Measured at 1m and with tolerance of +3dB(A).
- (3) Approximate weight subject to changes after manufacturing process.
- (4) At 100% of full load.

These are average values based on tests with sinusoidal power supply, subject to the tolerances stipulated in NEMA MG-1.

Rev.	Changes Summary	Performed	Checked	Date
Performed by				
Checked by			Page	Revision
Date	14/01/2024		1 / 2	

# LOAD PERFORMANCE CURVE

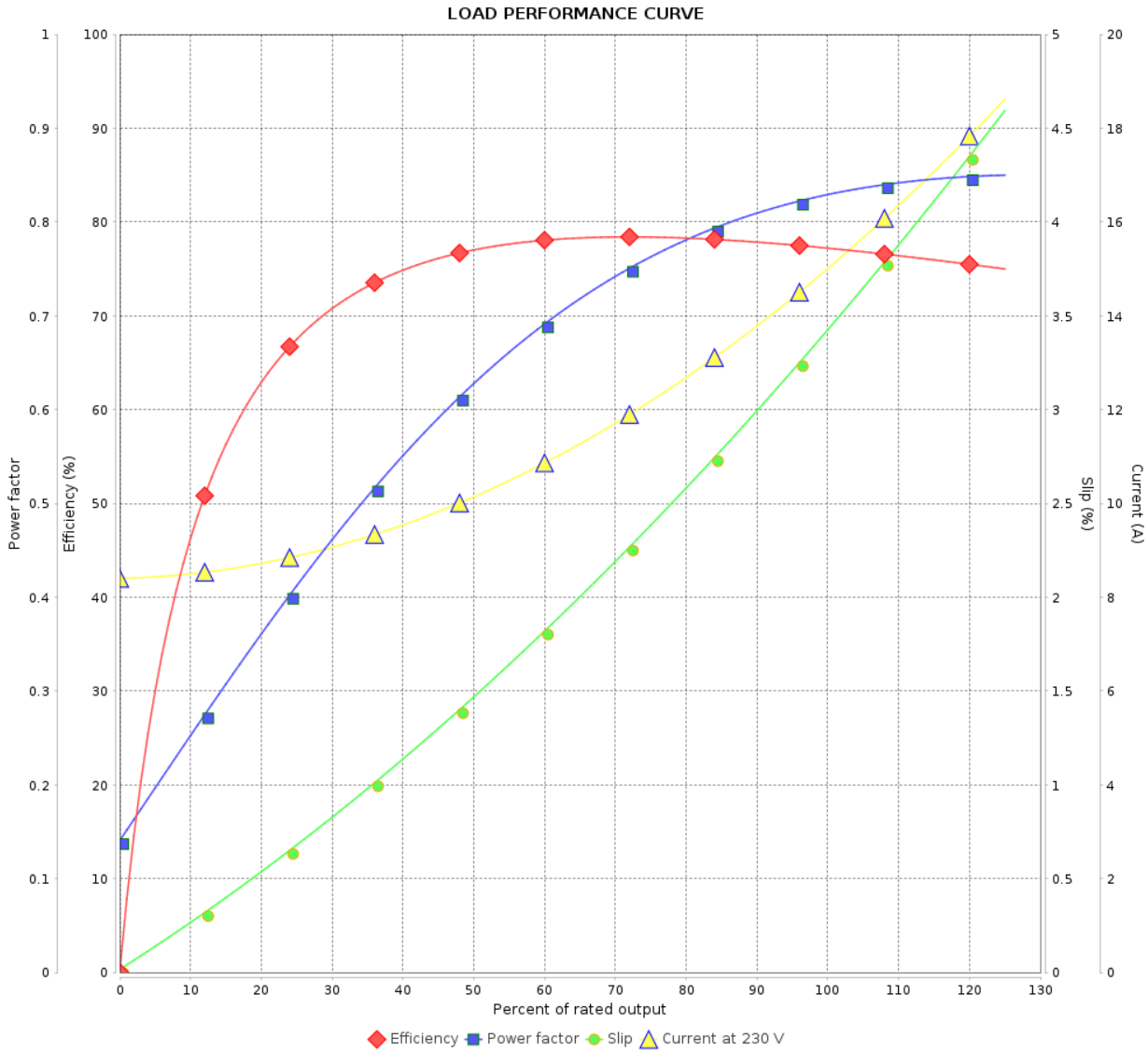
Single Phase Induction Motor - Squirrel Cage



Customer :

Product line : Centrifugal Pump Single-Phase Start Capacitor

Product code : 10678036



Performance : 230 V 60 Hz 2P

Rated current : 15.0 A  
 LRC : 7.0  
 Rated torque : 0.627 kgfm  
 Locked rotor torque : 220 %  
 Breakdown torque : 229 %  
 Rated speed : 3475 rpm

Moment of inertia (J) : 0.0028 kgm<sup>2</sup>  
 Duty cycle : Cont.(S1)  
 Insulation class : B  
 Service factor : 1.15  
 Temperature rise : 80 K

Rev.	Changes Summary	Performed	Checked	Date
Performed by			Page 2 / 2	Revision
Checked by				
Date	14/01/2024			

1

2

3

4

5

6

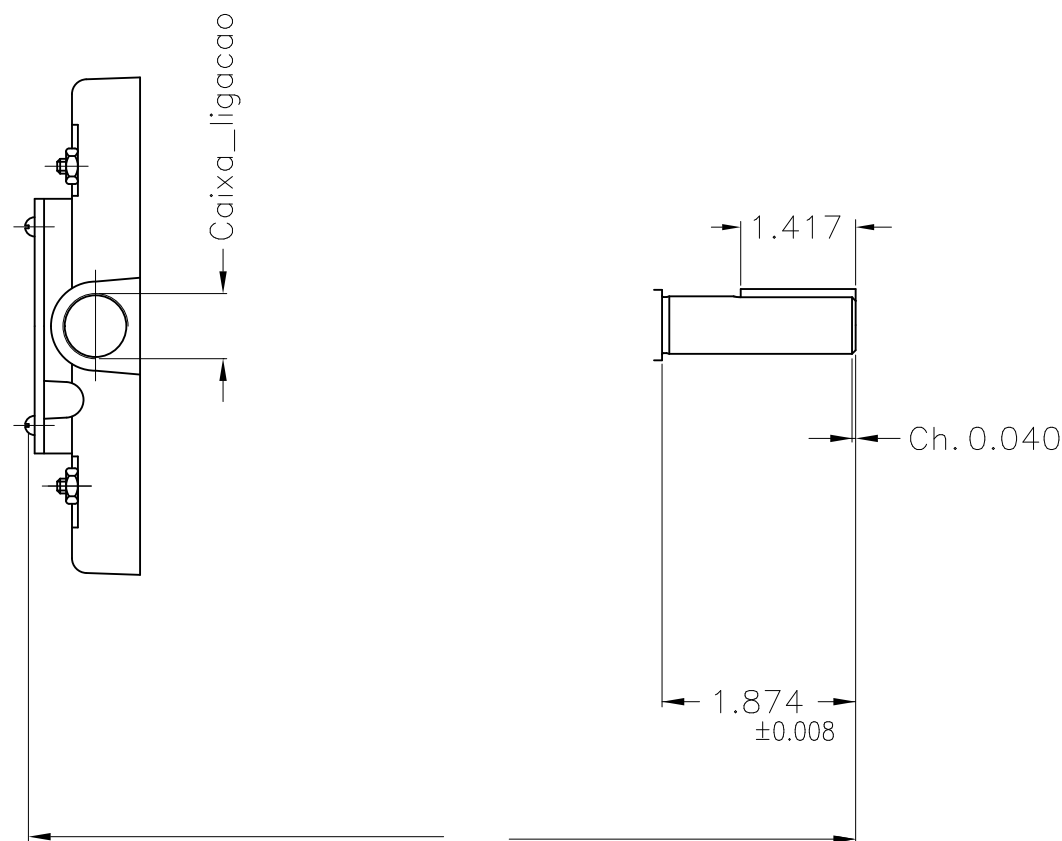
A

B

C

D

E



Rotation CW and CCW									
Mounting B14R(D)									
ECM	LOC	SUMMARY OF MODIFICATIONS			EXECUTED	CHECKED	RELEASED	DATE	VER
EXECUTED	DATAVIEWER	USER	SINGLE PH. MOTOR CENTRIFUGAL PUMP			PREVIEW		WEG	
CHECKED			FRAME E56C IP21 ODP			WDD		SHEET 1 / 1	
RELEASED			WMO Jaragua do Sul			Product Engineering		SHEET 1 / 1	
REL DT.			WMO Jaragua do Sul			Product Engineering		SHEET 1 / 1	

3 HP 02 Poles 60 Hz

A