

DATA SHEET



Single Phase Induction Motor - Squirrel Cage

Customer :

Product line : Centrifugal Pump Single-Phase Start Capacitor Product code : 10611229

Frame	: E56C	Locked rotor time	: 10s (cold) 6s (hot)
Output	: 1 HP (0.75 kW)	Temperature rise	: 80 K
Poles	: 2	Duty cycle	: Cont.(S1)
Frequency	: 60 Hz	Ambient temperature	: -20°C to +40°C
Rated voltage	: 115/208-230 V	Altitude	: 1000 m.a.s.l.
Rated current	: 13.6/6.80-6.80 A	Protection degree	: IP21
L. R. Amperes	: 95.2/47.6-47.6 A	Cooling method	: IC01 - ODP
LRC	: 7.0x(Code M)	Mounting	: F-1
No load current	: 9.70/4.18-4.85 A	Rotation ¹	: Both (CW and CCW)
Rated speed	: 3520 rpm	Noise level ²	: 55.0 dB(A)
Slip	: 2.22 %	Starting method	: Direct On Line
Rated torque	: 0.206 kgfm	Approx. weight ³	: 14.0 kg
Locked rotor torque	: 280 %		
Breakdown torque	: 290 %		
Insulation class	: B		
Service factor	: 1.40		
Moment of inertia (J)	: 0.0018 kgm ²		

Output	50%	75%	100%	Foundation loads Max. traction Max. compression
Efficiency (%)	54.5	62.1	66.3	
Power Factor	0.53	0.63	0.71	

	Drive end	Non drive end
Bearing type	: 6203 2RS	: 6203 2RS
Sealing	: Without Bearing Seal	: Without Bearing Seal
Lubrication interval	: -	: -
Lubricant amount	: -	: -
Lubricant type	: Mobil Polyrex EM	

Notes

This revision replaces and cancel the previous one, which must be eliminated.

- (1) Looking the motor from the shaft end.
- (2) Measured at 1m and with tolerance of +3dB(A).
- (3) Approximate weight subject to changes after manufacturing process.
- (4) At 100% of full load.

These are average values based on tests with sinusoidal power supply, subject to the tolerances stipulated in NEMA MG-1.

Rev.	Changes Summary	Performed	Checked	Date
Performed by			Page	Revision
Checked by				
Date				
			1 / 2	

LOAD PERFORMANCE CURVE

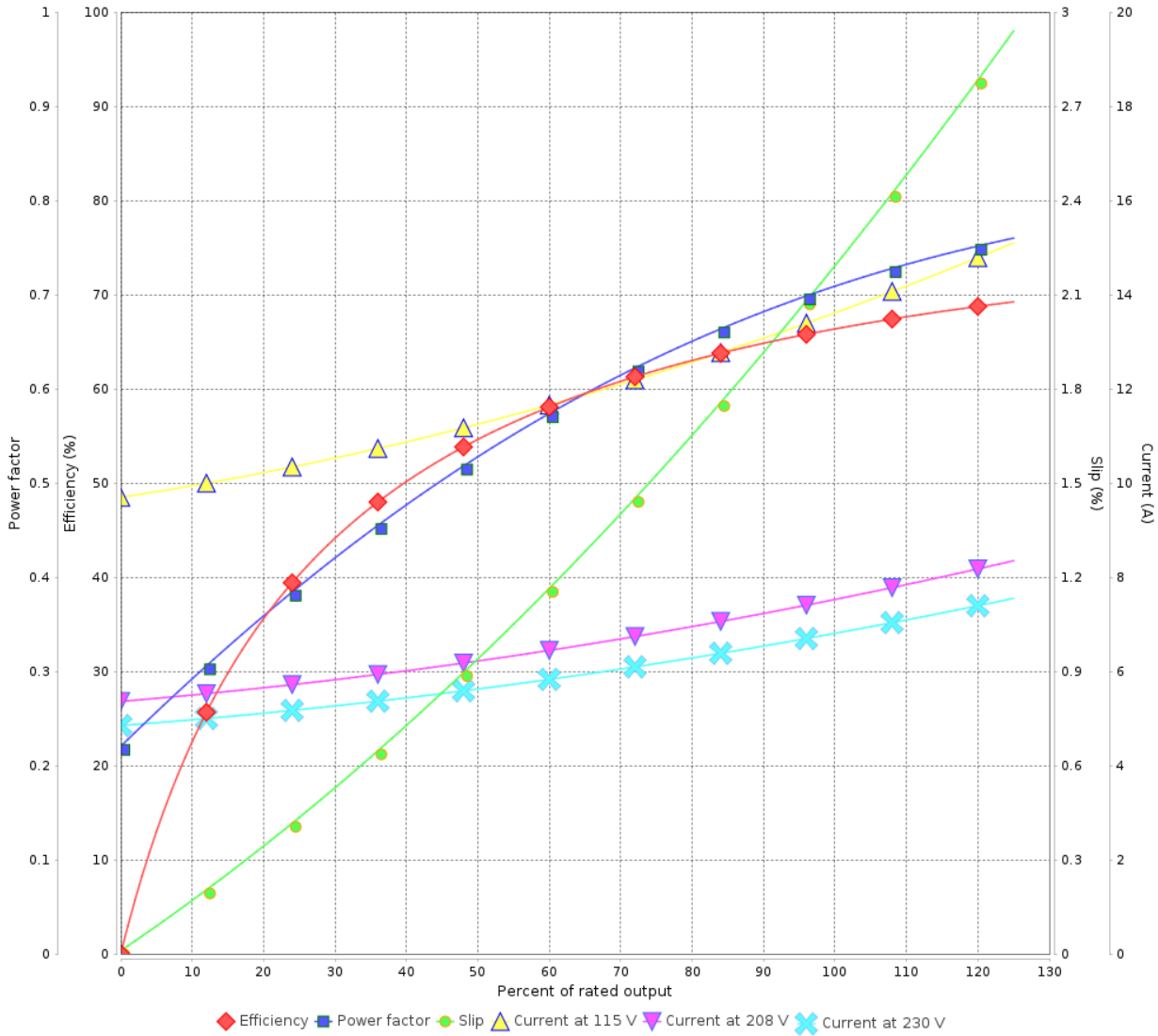
Single Phase Induction Motor - Squirrel Cage



Customer : _____

Product line : Centrifugal Pump Single-Phase Start Capacitor Product code : 10611229

LOAD PERFORMANCE CURVE



Performance : 115/208-230 V 60 Hz 2P

Rated current	: 13.6/6.80-6.80 A	Moment of inertia (J)	: 0.0018 kgm ²
LRC	: 7.0	Duty cycle	: Cont.(S1)
Rated torque	: 0.206 kgfm	Insulation class	: B
Locked rotor torque	: 280 %	Service factor	:
Breakdown torque	: 290 %	Temperature rise	: 80 K
Rated speed	: 3520 rpm		

Rev.	Changes Summary	Performed	Checked	Date
Performed by			Page 2 / 2	Revision
Checked by				
Date	24/10/2024			

1

2

3

4

5

6

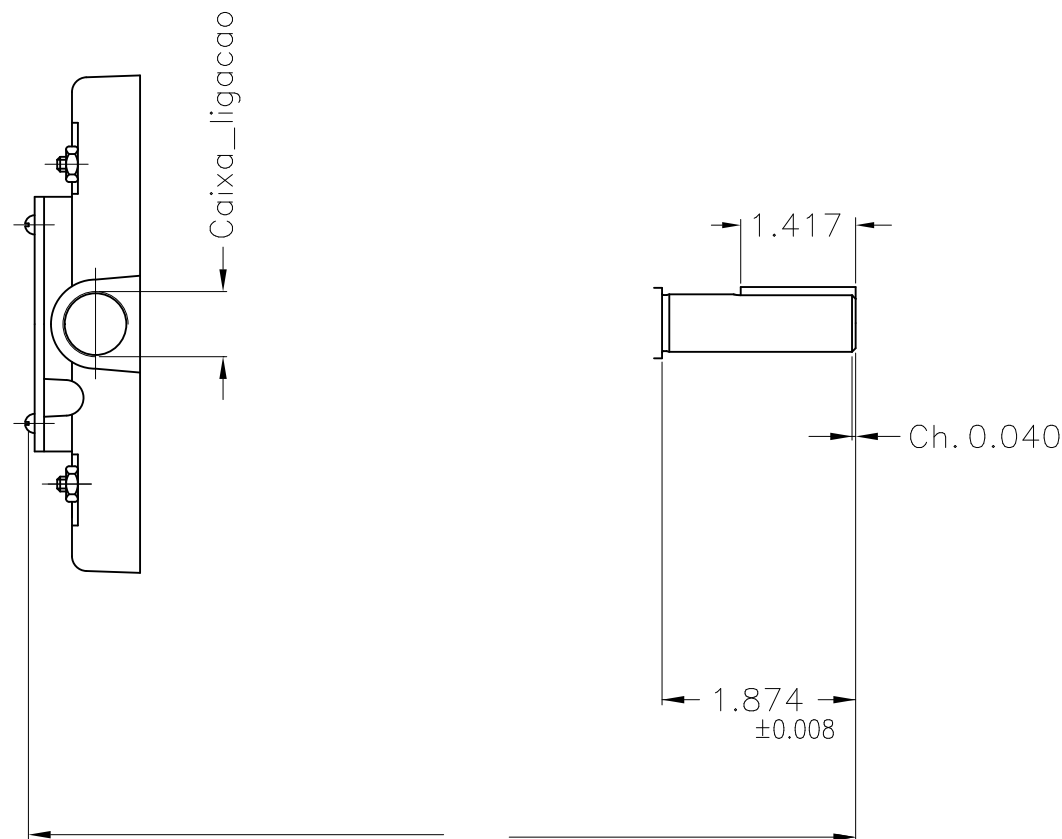
A

B

C

D

E



Rotation CW and CCW											
Mounting B14R(D)											
ECM	LOC	SUMMARY OF MODIFICATIONS					EXECUTED	CHECKED	RELEASED	DATE	VER
EXECUTED	DATAVIEWER	USER	SINGLE PH. MOTOR CENTRIFUGAL PUMP				PREVIEW		WEG		
CHECKED			FRAME E56C IP21 ODP				WDD		SHEET 1 / 1		
RELEASED			WMO Jaragua do Sul				Product Engineering		SHEET 1 / 1		
REL DT.			A								

1 HP 02 Poles 60 Hz