

DATA SHEET



Single Phase Induction Motor - Squirrel Cage

Customer :

Product line : Wjet Pump Single-Phase Start Capacitor Product code : 10823890

Frame	: W56C	Locked rotor time	: 10s (cold) 6s (hot)
Output	: 0.75 HP (0.55 kW)	Temperature rise	: 80 K
Poles	: 2	Duty cycle	: Cont.(S1)
Frequency	: 60 Hz	Ambient temperature	: -20°C to +40°C
Rated voltage	: 115/208-230 V	Altitude	: 1000 m.a.s.l.
Rated current	: 11.4/5.30-5.70 A	Protection degree	: IP21
L. R. Amperes	: 60.4/28.1-30.2 A	Cooling method	: IC01 - ODP
LRC	: 5.3x(Code L)	Mounting	: F-1
No load current	: 9.20/3.97-4.60 A	Rotation ¹	: Both (CW and CCW)
Rated speed	: 3465 rpm	Starting method	: Direct On Line
Slip	: 3.75 %	Approx. weight ²	: 10.8 kg
Rated torque	: 0.157 kgfm		
Locked rotor torque	: 270 %		
Breakdown torque	: 280 %		
Insulation class	: B		
Service factor	: 1.50		
Moment of inertia (J)	: 0.0106 kgm ²		

Output	50%	75%	100%	Foundation loads	
Efficiency (%)	51.1	59.4	64.3	Max. traction	: 8 kgf
Power Factor	0.48	0.58	0.66	Max. compression	: 19 kgf

		<u>Drive end</u>	<u>Non drive end</u>
Bearing type	:	6203 2RS	6202 2RS
Sealing	:	Slinger	Without Bearing Seal
Lubrication interval	:	-	-
Lubricant amount	:	-	-
Lubricant type	:	Mobil Polyrex EM	

Notes

This revision replaces and cancel the previous one, which must be eliminated.

- (1) Looking the motor from the shaft end.
- (2) Measured at 1m and with tolerance of +3dB(A).
- (3) Approximate weight subject to changes after manufacturing process.
- (4) At 100% of full load.

These are average values based on tests with sinusoidal power supply, subject to the tolerances stipulated in NEMA MG-1.

Rev.	Changes Summary	Performed	Checked	Date
Performed by		Page		Revision
Checked by		1 / 2		
Date	24/10/2024			

LOAD PERFORMANCE CURVE

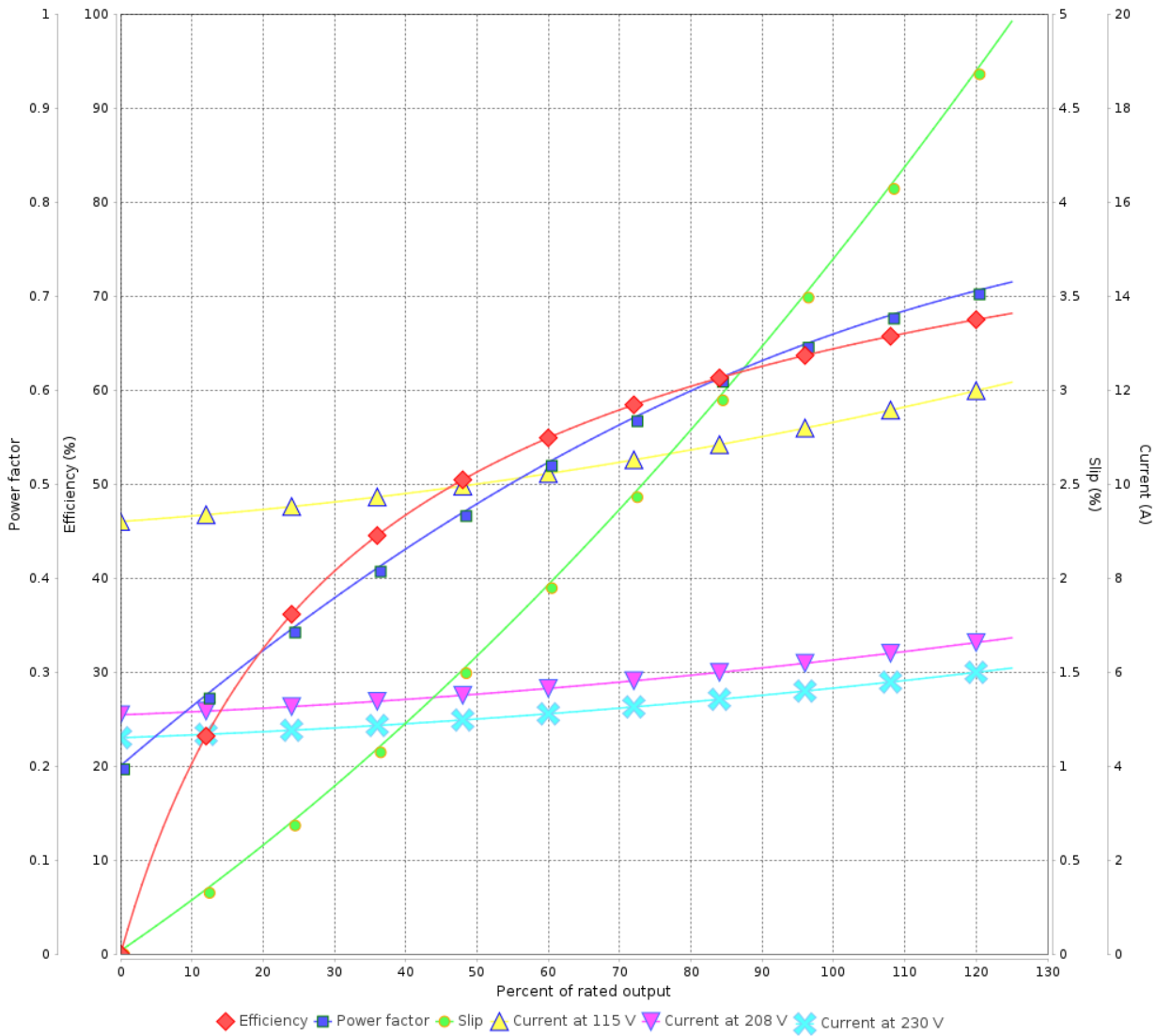
Single Phase Induction Motor - Squirrel Cage



Customer :

Product line : Wjet Pump Single-Phase Start Capacitor Product code : 10823890

LOAD PERFORMANCE CURVE



Performance : 115/208-230 V 60 Hz 2P

Rated current	: 11.4/5.30-5.70 A	Moment of inertia (J)	: 0.0106 kgm ²
LRC	: 5.3	Duty cycle	: Cont.(S1)
Rated torque	: 0.157 kgfm	Insulation class	: B
Locked rotor torque	: 270 %	Service factor	:
Breakdown torque	: 280 %	Temperature rise	: 80 K
Rated speed	: 3465 rpm		

Rev.	Changes Summary	Performed	Checked	Date
Performed by			Page 2 / 2	Revision
Checked by				
Date	24/10/2024			

1 2 3 4 5 6

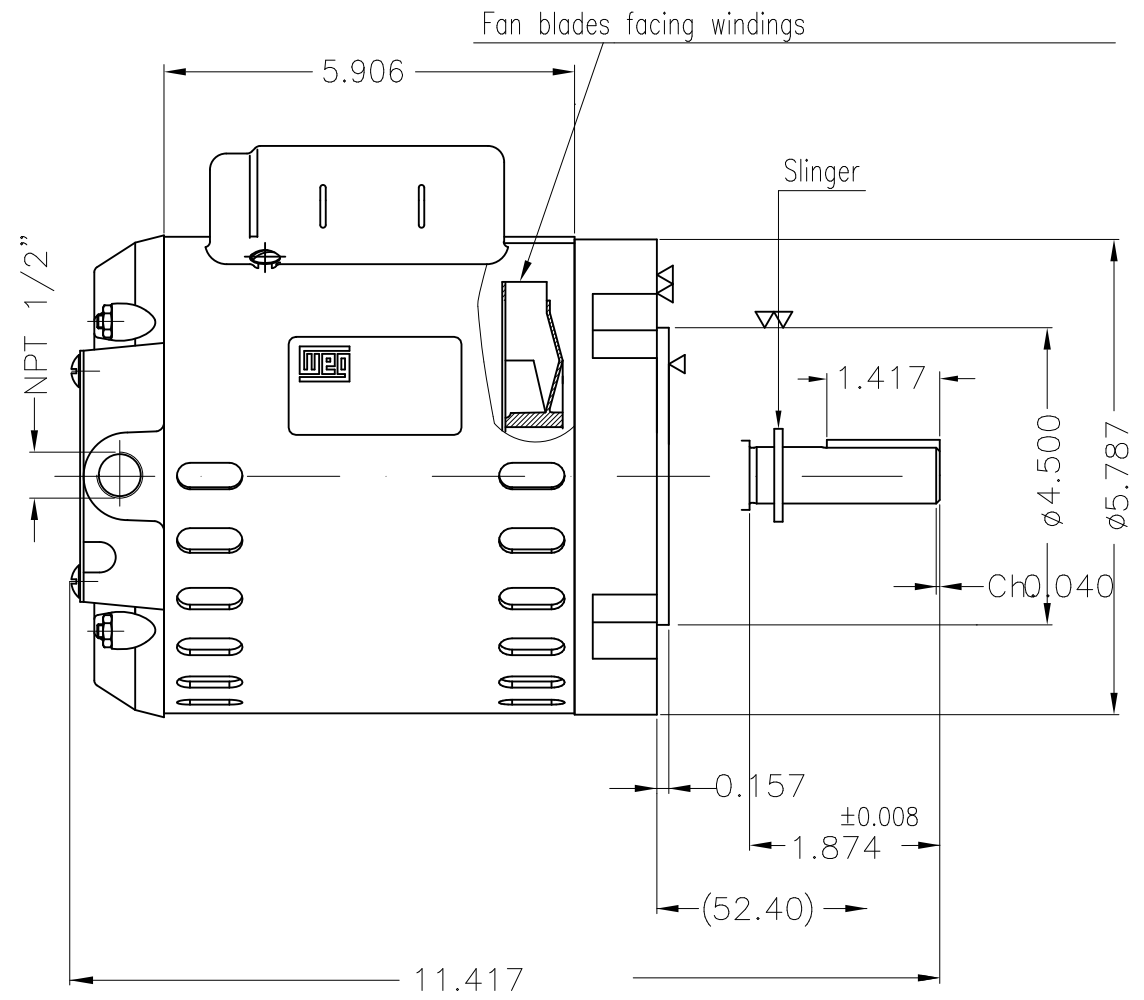
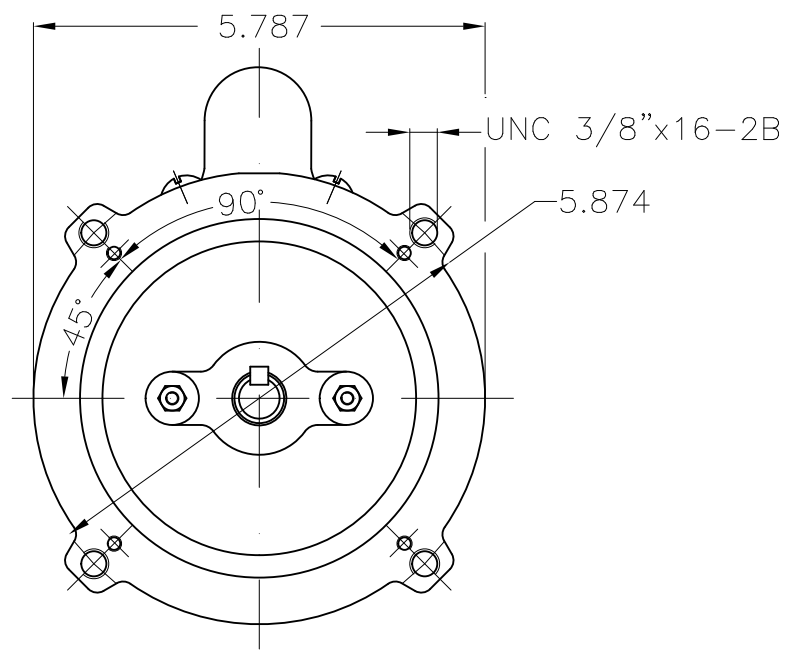
A

B

C

D

E



Mounting B14R(D)										
ECM	LOC	SUMMARY OF MODIFICATIONS				EXECUTED	CHECKED	RELEASED	DATE	VER
EXECUTED	HYBRISUSER	SINGLE PH. MOTOR WJET PUMP								
CHECKED		FRAME W56C IP21 ODP								
RELEASED										
REL. DATE		WMO	Jaragua do Sul	Product Engineering						

3/4 HP 02 Poles 60 Hz

A PREVIEW WDD 00 SHEET 1 / 1

