

DATA SHEET



Three Phase Induction Motor - Squirrel Cage

Customer	:				
Product line	: Jet Pump - C type Standard Efficiency Three-Phase	Product code :	14355043		
Frame	: W56C	Cooling method	: IC01 - ODP		
Insulation class	: F	Mounting	: F-1		
Duty cycle	: Cont.(S1)	Rotation ¹	: CCW		
Ambient temperature	: -20°C to +40°C	Starting method	: Direct On Line		
Altitude	: 1000 m.a.s.l.	Approx. weight ³	: 6.5 kg		
		Moment of inertia (J)	: 0.0006 kgm ²		
Output [HP]	0.5				
Poles	2				
Frequency [Hz]	60				
Rated voltage [V]	575				
Rated current [A]	0.769				
L. R. Amperes [A]	5.15				
LRC [A]	6.7x(Code M)				
No load current [A]	0.590				
Rated speed [RPM]	3470				
Slip [%]	3.61				
Rated torque [kgfm]	0.105				
Locked rotor torque [%]	330				
Breakdown torque [%]	360				
Service factor	1.60				
Temperature rise	80 K				
Locked rotor time	34s (cold) 19s (hot)				
Noise level ²	62.0 dB(A)				
Efficiency (%)	25%				
	50%	62.0			
	75%	68.0			
	100%	70.0			
Power Factor	25%				
	50%	0.47			
	75%	0.60			
	100%	0.69			
Bearing type	: Drive end 6203 2RS	Non drive end 6202 2RS	Foundation loads		
Sealing	: Without Bearing Seal	Without Bearing Seal	Max. traction	: 8 kgf	
Lubrication interval	: -	-	Max. compression	: 15 kgf	
Lubricant amount	: -	-			
Lubricant type	: Mobil Polyrex EM				
Notes					
<p>This revision replaces and cancel the previous one, which must be eliminated.</p> <p>(1) Looking the motor from the shaft end.</p> <p>(2) Measured at 1m and with tolerance of +3dB(A).</p> <p>(3) Approximate weight subject to changes after manufacturing process.</p> <p>(4) At 100% of full load.</p>			<p>These are average values based on tests with sinusoidal power supply, subject to the tolerances stipulated in NEMA MG-1.</p>		
Rev.	Changes Summary		Performed	Checked	Date
Performed by					
Checked by				Page	Revision
Date	17/05/2022			1 / 2	

LOAD PERFORMANCE CURVE

Three Phase Induction Motor - Squirrel Cage

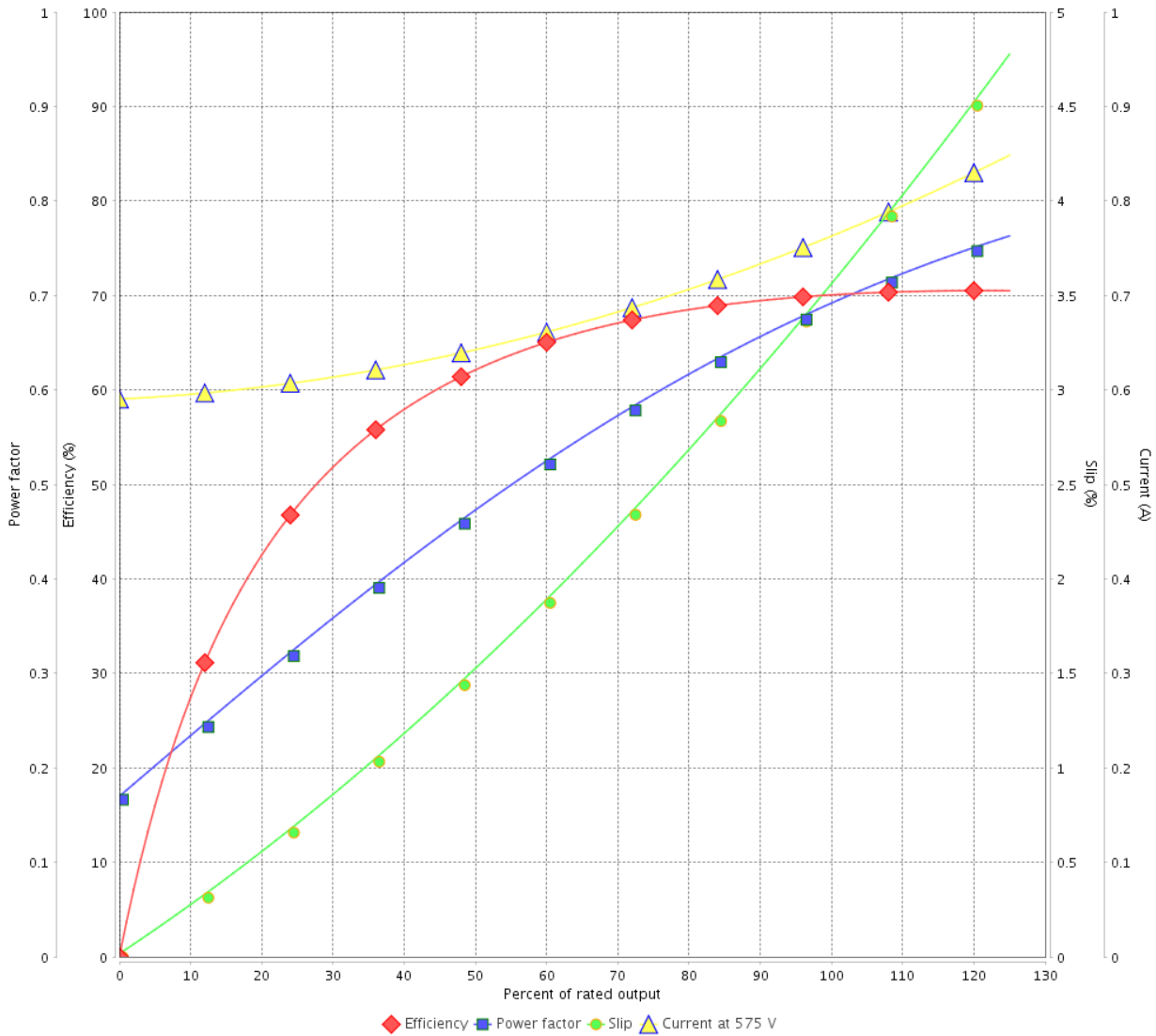


Customer :

Product line : Jet Pump - C type Standard
Efficiency Three-Phase

Product code : 14355043

LOAD PERFORMANCE CURVE



Performance : 575 V 60 Hz 2P

Rated current : 0.769 A
LRC : 6.7
Rated torque : 0.105 kgfm
Locked rotor torque : 330 %
Breakdown torque : 360 %
Rated speed : 3470 rpm

Moment of inertia (J) : 0.0006 kgm²
Duty cycle : Cont.(S1)
Insulation class : F
Service factor : 1.60
Temperature rise : 80 K

Rev.	Changes Summary	Performed	Checked	Date
Performed by			Page	Revision
Checked by				
Date				
			2 / 2	

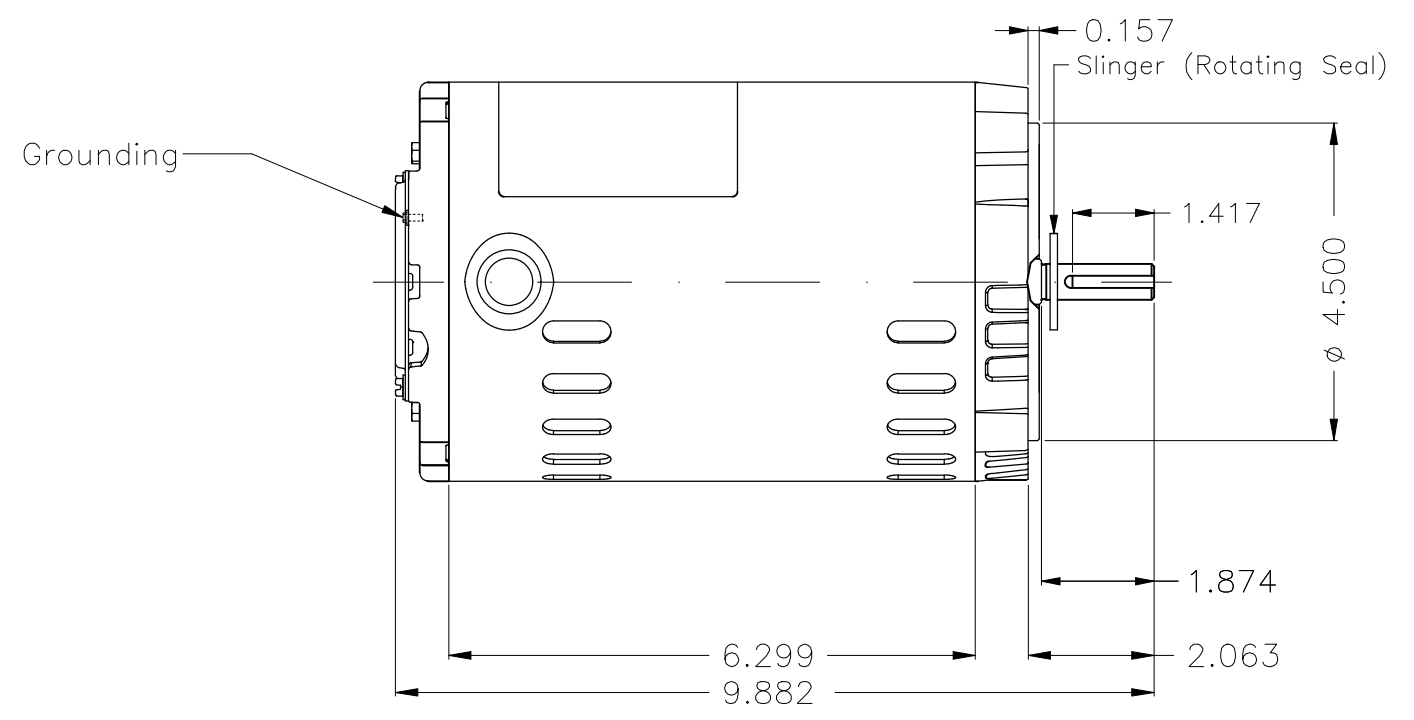
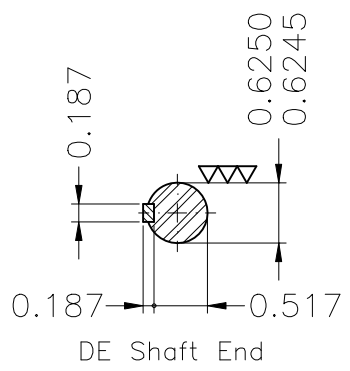
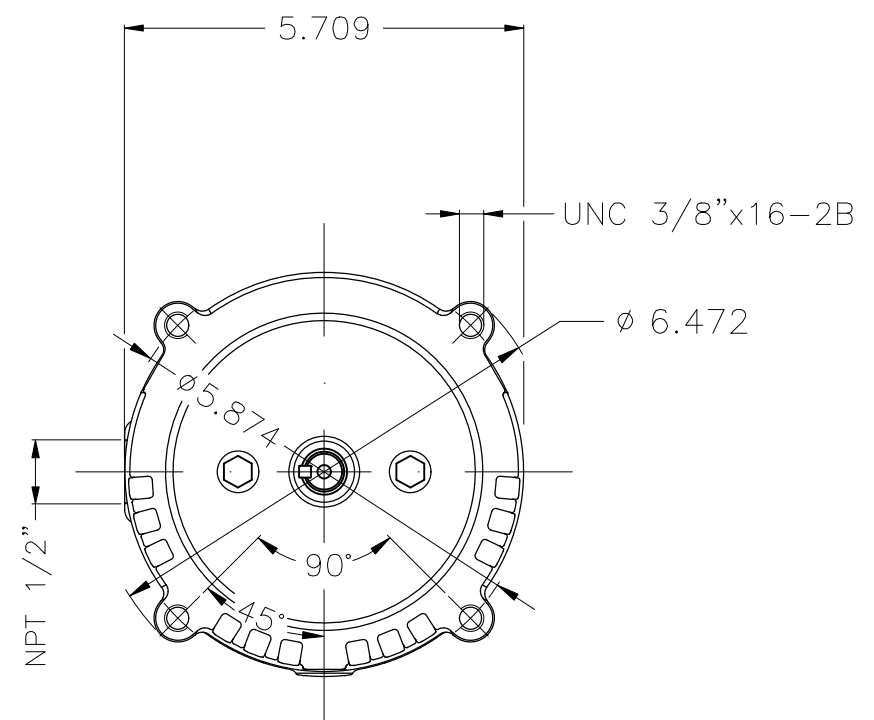
A

B

C

D

E



Color Munsell N 1 matte black						
Painting plan 207N						
Mounting F-1/B14R(D)						
					HYBRISUSER	00
ECM	LOC	SUMMARY OF MODIFICATIONS		EXECUTED	CHECKED	RELEASED DATE VER
EXECUTED	HYBRISUSER	THREE PH. MOTOR ROLLED STEEL JET PUMP KEYED			PREVIEW	
CHECKED		FRAME W56C IP21 ODP			WDD	00
RELEASED						
REL. DATE	WMO	Jaragua do Sul	Product Engineering	SHEET	1 / 1	

0.5 HP 02 Poles 60 Hz

A

