

# DATA SHEET

## Single Phase Induction Motor - Squirrel Cage



Customer	:				
Product line	: Jet Pump - J type Single-Phase	Product code :	13608553		
Frame	: 56J	Cooling method	: IC411 - TEFC		
Insulation class	: F	Mounting	: F-1		
Duty cycle	: Cont.(S1)	Rotation <sup>1</sup>	: CCW		
Ambient temperature	: -20°C to +40°C	Starting method	: Direct On Line		
Altitude	: 1000 m.a.s.l.	Approx. weight <sup>3</sup>	: 17.1 kg		
Protection degree	: IP55	Moment of inertia (J)	: 0.0030 kgm <sup>2</sup>		
Design	: L				
Output [HP]	2				
Poles	2				
Frequency [Hz]	60				
Rated voltage [V]	115/208-230				
Rated current [A]	17.5/9.62-8.73				
L. R. Amperes [A]	136/75.0-68.1				
LRC [A]	7.8x(Code J)				
No load current [A]	5.00/2.16-2.50				
Rated speed [RPM]	3495				
Slip [%]	2.92				
Rated torque [kgfm]	0.415				
Locked rotor torque [%]	220				
Breakdown torque [%]	250				
Service factor					
Temperature rise	80 K				
Locked rotor time	10s (cold) 6s (hot)				
Noise level <sup>2</sup>	68.0 dB(A)				
Efficiency (%)	25%	68.0			
	50%	70.0			
	75%	75.0			
	100%	77.0			
Power Factor	25%	0.67			
	50%	0.94			
	75%	0.97			
	100%	0.97			
Bearing type	: Drive end	Non drive end	Foundation loads		
Sealing	: 6203 2RS	6202 2RS	Max. traction	: 25 kgf	
Lubrication interval	: V'Ring	V'Ring	Max. compression	: 42 kgf	
Lubricant amount	: -	-			
Lubricant type	: Mobil Polyrex EM				
Notes					
This revision replaces and cancel the previous one, which must be eliminated. (1) Looking the motor from the shaft end. (2) Measured at 1m and with tolerance of +3dB(A). (3) Approximate weight subject to changes after manufacturing process. (4) At 100% of full load.			These are average values based on tests with sinusoidal power supply, subject to the tolerances stipulated in NEMA MG-1.		
Rev.	Changes Summary		Performed	Checked	Date
Performed by					
Checked by				Page	Revision
Date	16/05/2022			1 / 2	

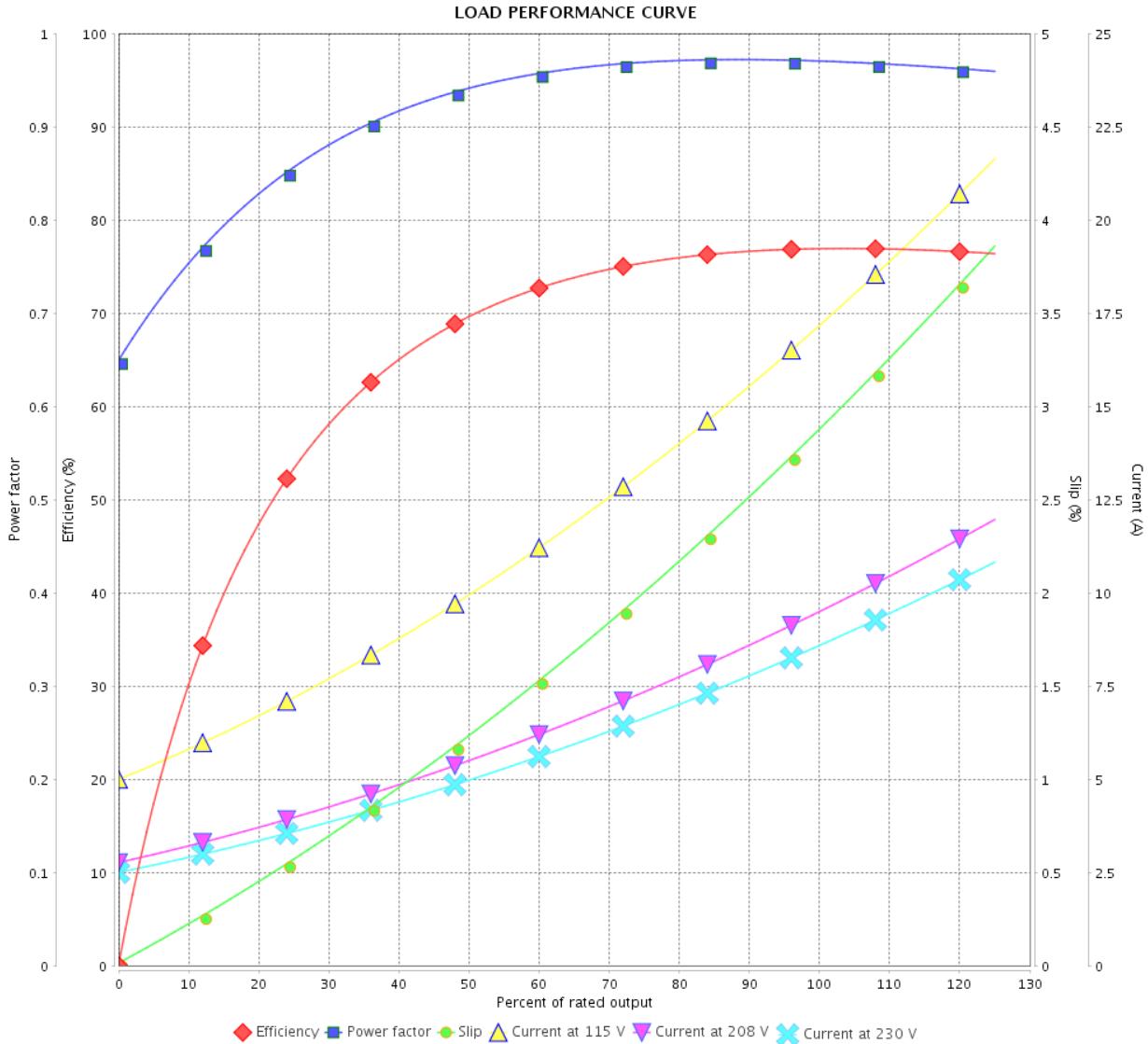
# LOAD PERFORMANCE CURVE

Single Phase Induction Motor - Squirrel Cage



Customer :

Product line : Jet Pump - J type Single-Phase Product code : 13608553



Performance : 115/208-230 V 60 Hz 2P

Rated current : 17.5/9.62-8.73 A  
 LRC : 7.8  
 Rated torque : 0.415 kgfm  
 Locked rotor torque : 220 %  
 Breakdown torque : 250 %  
 Rated speed : 3495 rpm

Moment of inertia (J) : 0.0030 kgm<sup>2</sup>  
 Duty cycle : Cont.(S1)  
 Insulation class : F  
 Service factor :  
 Temperature rise : 80 K  
 Design : L

Rev.	Changes Summary	Performed	Checked	Date
Performed by			Page 2 / 2	Revision
Checked by				
Date	16/05/2022			

1 2 3 4 5 6

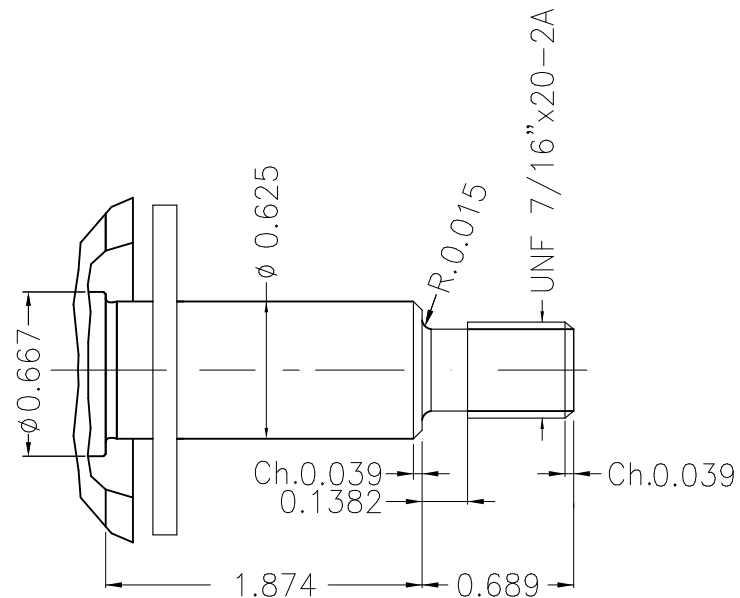
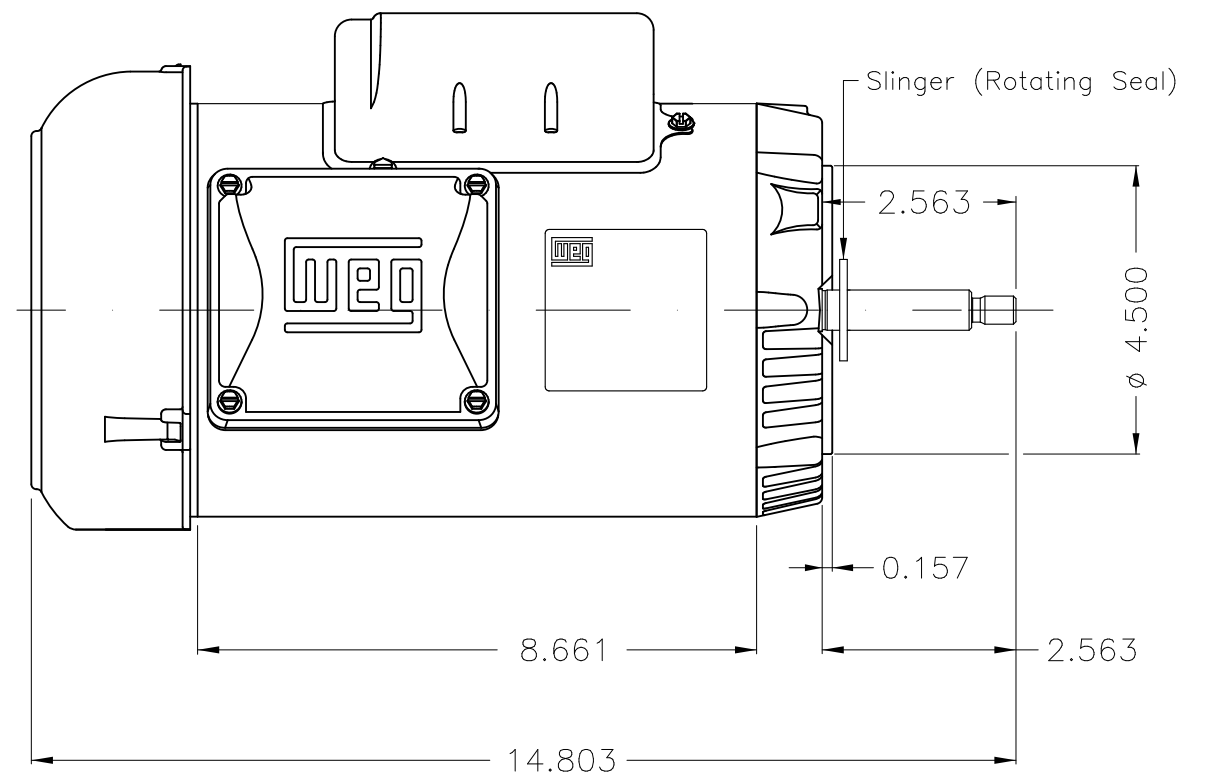
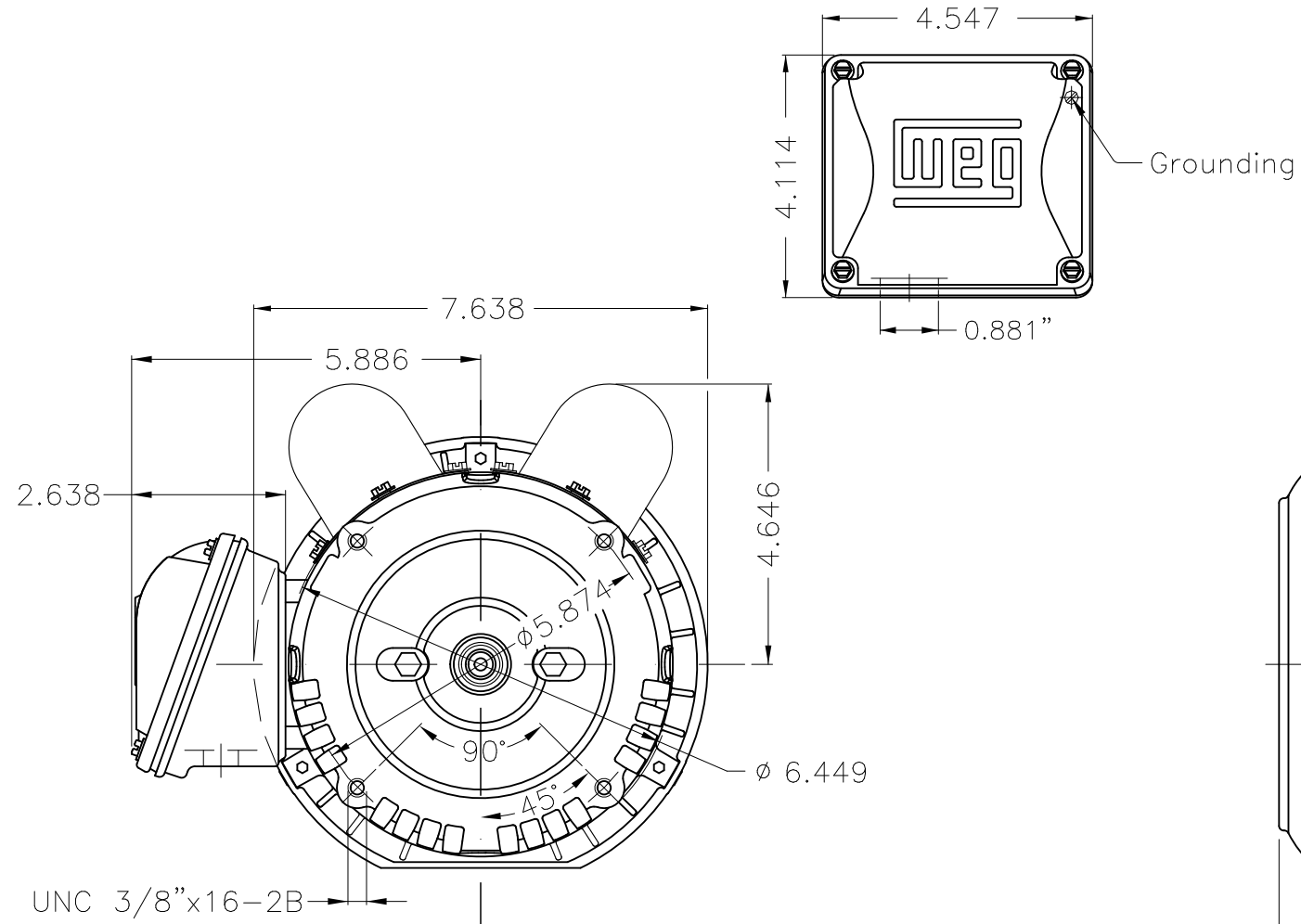
A

B

C

D

E



2 HP 02 Poles 60 Hz

Color Munsell N 1 matte black  
Painting plan 207N  
Mounting F-1/B14R(D)

ECM		LOC	SUMMARY OF MODIFICATIONS				EXECUTED	CHECKED	RELEASED	DATE	VER
EXECUTED		HYBRISUSER	SINGLE PH. MOTOR ROLLED STEEL JET PUMP THREADED								00
CHECKED			FRAME 56J IP55 TEFC								
RELEASED											
REL. DATE		WMO	Jaragua do Sul	Product Engineering			PREVIEW	WDD	00		
							SHEET	1 / 1			

