

DATA SHEET



Single Phase Induction Motor - Squirrel Cage

Customer :					
Product line : Centrifugal Pump Single-Phase			Product code : 10803176		
Frame	: F56HJ		Locked rotor time	: 10s (cold) 6s (hot)	
Output	: 2 HP (1.5 kW)		Temperature rise	: 80 K	
Poles	: 2		Duty cycle	: Cont.(S1)	
Frequency	: 60 Hz		Ambient temperature	: -20°C to +40°C	
Rated voltage	: 115/208-230 V		Altitude	: 1000 m.a.s.l.	
Rated current	: 20.0/10.6-10.0 A		Protection degree	: IP55	
L. R. Amperes	: 140/74.2-70.0 A		Cooling method	: IC411 - TEFC	
LRC	: 7.0x(Code K)		Mounting	: F-1	
No load current	: 9.00/0.000-4.50 A		Rotation ¹	: CCW	
Rated speed	: 3470 rpm		Noise level ²	: 55.0 dB(A)	
Slip	: 3.61 %		Starting method	: Direct On Line	
Rated torque	: 0.418 kgfm		Approx. weight ³	: 20.0 kg	
Locked rotor torque	: 250 %				
Breakdown torque	: 240 %				
Insulation class	: B				
Service factor	: 1.15				
Moment of inertia (J)	: 0.0033 kgm ²				
Output	25%	50%	75%	100%	
Efficiency (%)	0.000	69.0	73.0	74.0	
Power Factor	0.00	0.72	0.81	0.87	
Foundation loads					
Max. traction : 22 kgf					
Max. compression : 42 kgf					
		<u>Drive end</u>	<u>Non drive end</u>		
Bearing type	:	6204 2RS	6203 2RS		
Sealing	:	V'Ring	V'Ring		
Lubrication interval	:	0 h	0 h		
Lubricant amount	:	0 g	0 g		
Lubricant type	:	Mobil Polyrex EM			
Notes:					
<p>This revision replaces and cancel the previous one, which must be eliminated.</p> <p>(1) Looking the motor from the shaft end.</p> <p>(2) Measured at 1m and with tolerance of +3dB(A).</p> <p>(3) Approximate weight subject to changes after manufacturing process.</p> <p>(4) At 100% of full load.</p>			<p>These are average values based on tests with sinusoidal power supply, subject to the tolerances stipulated in NEMA MG-1.</p>		
Rev.	Changes Summary		Performed	Checked	Date
Performed by					
Checked by				Page	Revision
Date	14/01/2024			1 / 2	

LOAD PERFORMANCE CURVE

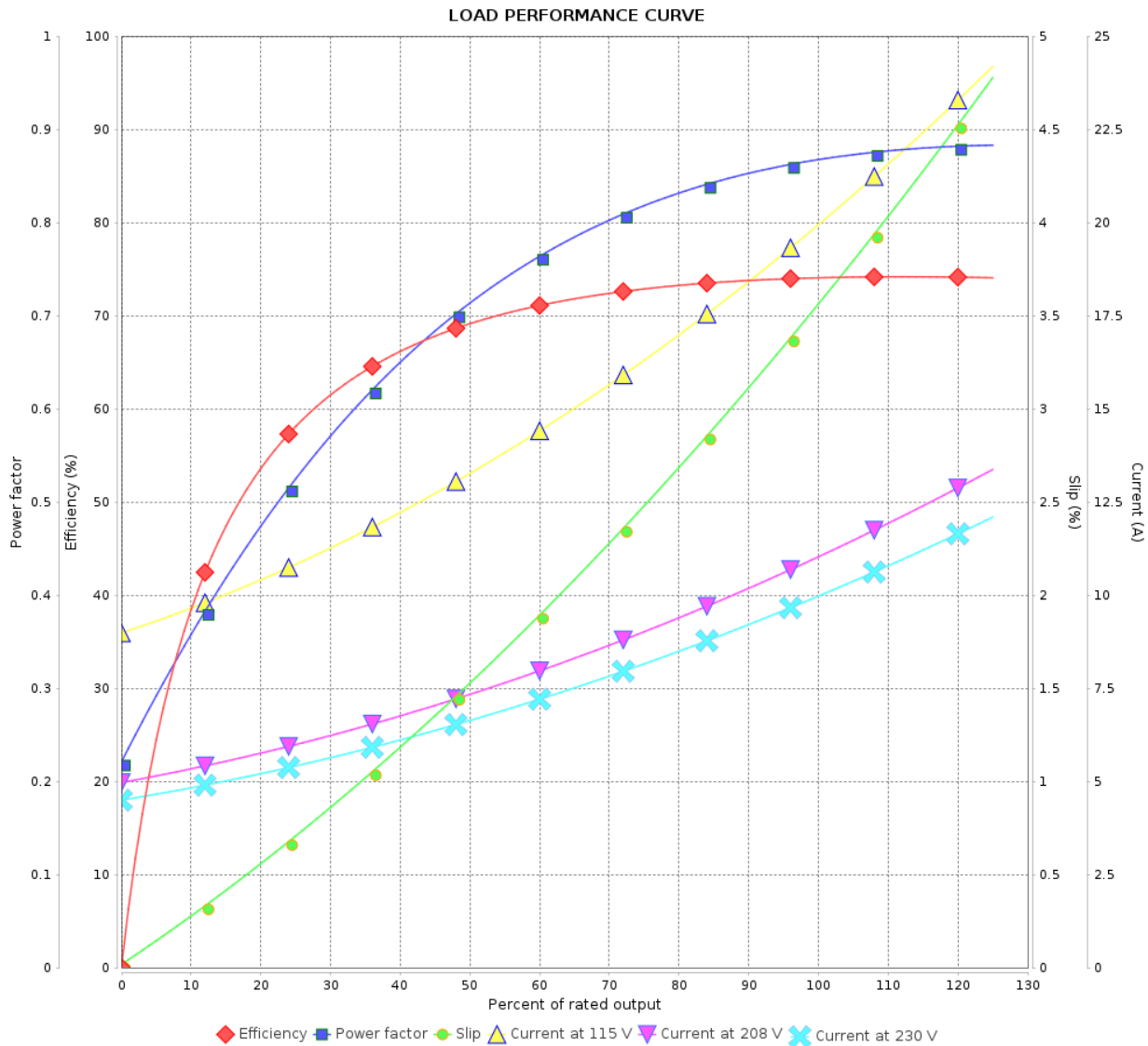
Single Phase Induction Motor - Squirrel Cage



Customer :

Product line : Centrifugal Pump Single-Phase

Product code : 10803176

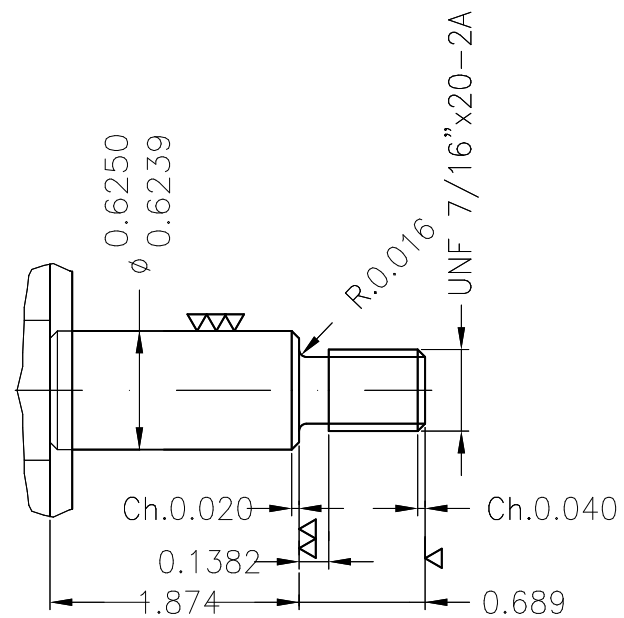
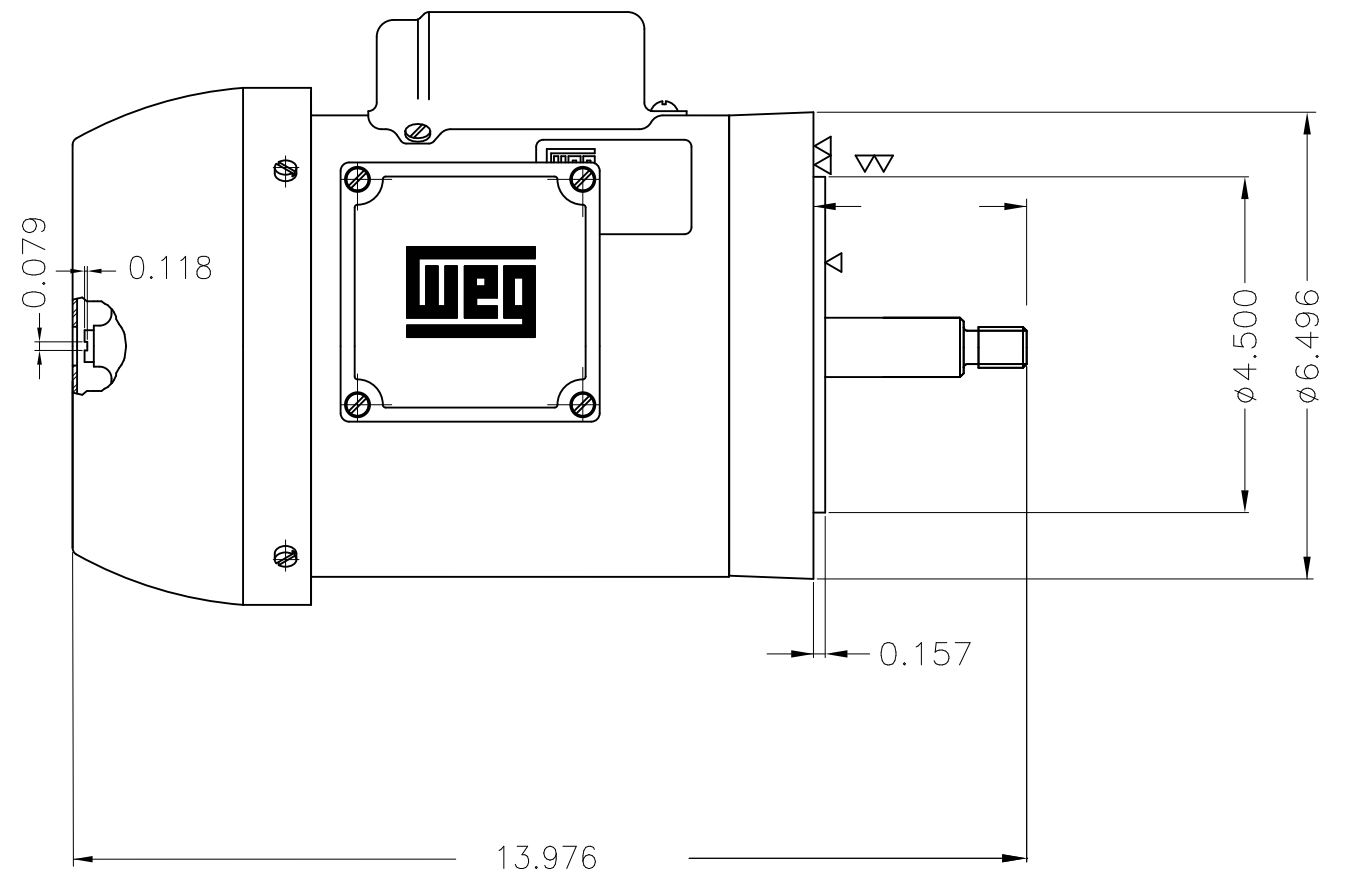
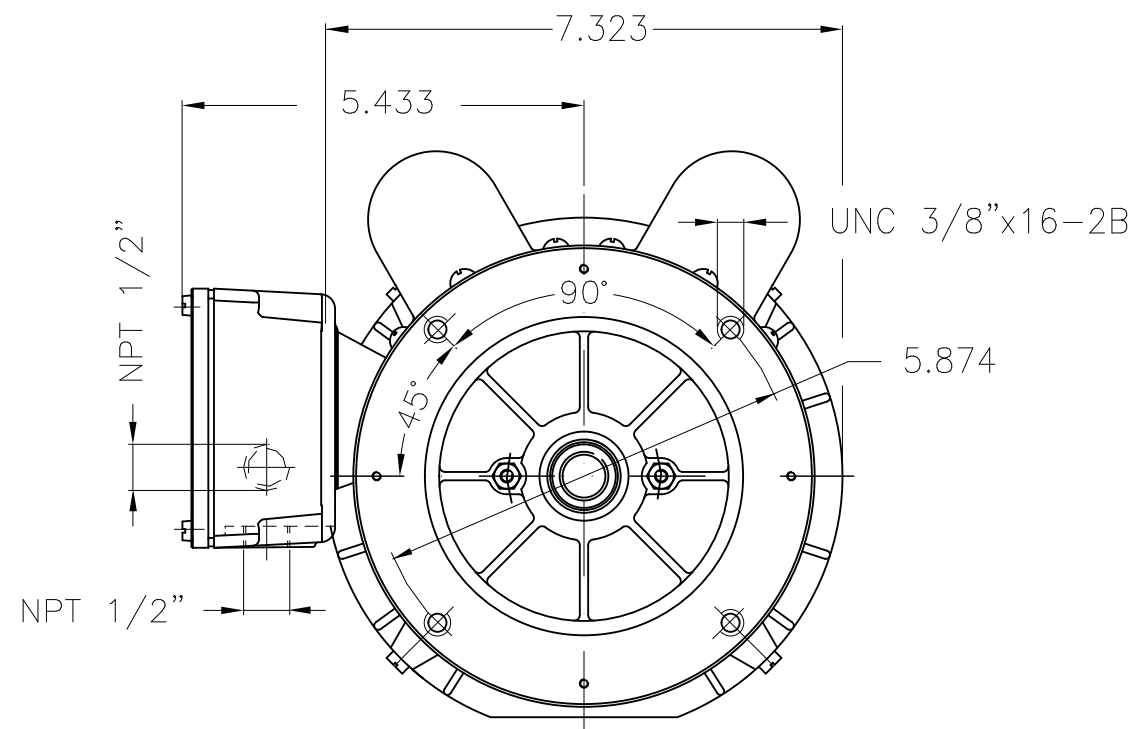


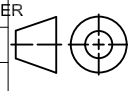

Performance : 115/208-230 V 60 Hz 2P

Rated current : 20.0/10.6-10.0 A
 LRC : 7.0
 Rated torque : 0.418 kgfm
 Locked rotor torque : 250 %
 Breakdown torque : 240 %
 Rated speed : 3470 rpm

Moment of inertia (J) : 0.0033 kgm²
 Duty cycle : Cont.(S1)
 Insulation class : B
 Service factor : 1.15
 Temperature rise : 80 K

Rev.	Changes Summary	Performed	Checked	Date
Performed by			Page	Revision
Checked by				
Date				



Mounting NEMA F-1						
Mounting B14R(D)						
ECM	LOC	SUMMARY OF MODIFICATIONS	EXECUTED	CHECKED	RELEASED	DATE VER
EXECUTED	DATAVIEWER	 SINGLE PH. MOTOR CENTRIFUGAL PUMP FRAME F56HJ IP55 TEFC	PREVIEW WDD			
CHECKED						
RELEASED						
REL DT.	WMO	Jaragua do Sul	Product Engineering	SHEET	1 / 1	

2 HP 02 Poles 60 Hz