

DATA SHEET



Single Phase Induction Motor - Squirrel Cage

Customer :

Product line : Centrifugal Pump Single-Phase Start Capacitor Product code : 10504701

Frame	: D56J	Locked rotor time	: 10s (cold) 6s (hot)
Output	: 1 HP (0.75 kW)	Temperature rise	: 80 K
Poles	: 2	Duty cycle	: Cont.(S1)
Frequency	: 60 Hz	Ambient temperature	: -20°C to +40°C
Rated voltage	: 115/208-230 V	Altitude	: 1000 m.a.s.l.
Rated current	: 12.8/6.40-6.40 A	Protection degree	: IP55
L. R. Amperes	: 89.6/44.8-44.8 A	Cooling method	: IC411 - TEFC
LRC	: 7.0x(Code M)	Mounting	: F-1
No load current	: 9.00/3.88-4.50 A	Rotation ¹	: CCW
Rated speed	: 3500 rpm	Starting method	: Direct On Line
Slip	: 2.78 %	Approx. weight ³	: 15.0 kg
Rated torque	: 0.207 kgfm		
Locked rotor torque	: 320 %		
Breakdown torque	: 280 %		
Insulation class	: B		
Service factor	: 1.15		
Moment of inertia (J)	: 0.0022 kgm ²		

Output	25%	50%	75%	100%	Foundation loads	
Efficiency (%)	51.9	55.0	63.0	67.0	Max. traction	: 11 kgf
Power Factor	0.33	0.56	0.67	0.75	Max. compression	: 26 kgf

	Drive end	Non drive end
Bearing type	: 6204 2RS	: 6202 2RS
Sealing	: V'Ring	: V'Ring
Lubrication interval	: -	: -
Lubricant amount	: -	: -
Lubricant type	: Mobil Polyrex EM	

Notes:

This revision replaces and cancel the previous one, which must be eliminated.

- (1) Looking the motor from the shaft end.
- (2) Measured at 1m and with tolerance of +3dB(A).
- (3) Approximate weight subject to changes after manufacturing process.
- (4) At 100% of full load.

These are average values based on tests with sinusoidal power supply, subject to the tolerances stipulated in NEMA MG-1.

Rev.	Changes Summary	Performed	Checked	Date
Performed by				
Checked by			Page	Revision
Date	14/01/2024		1 / 2	

LOAD PERFORMANCE CURVE

Single Phase Induction Motor - Squirrel Cage

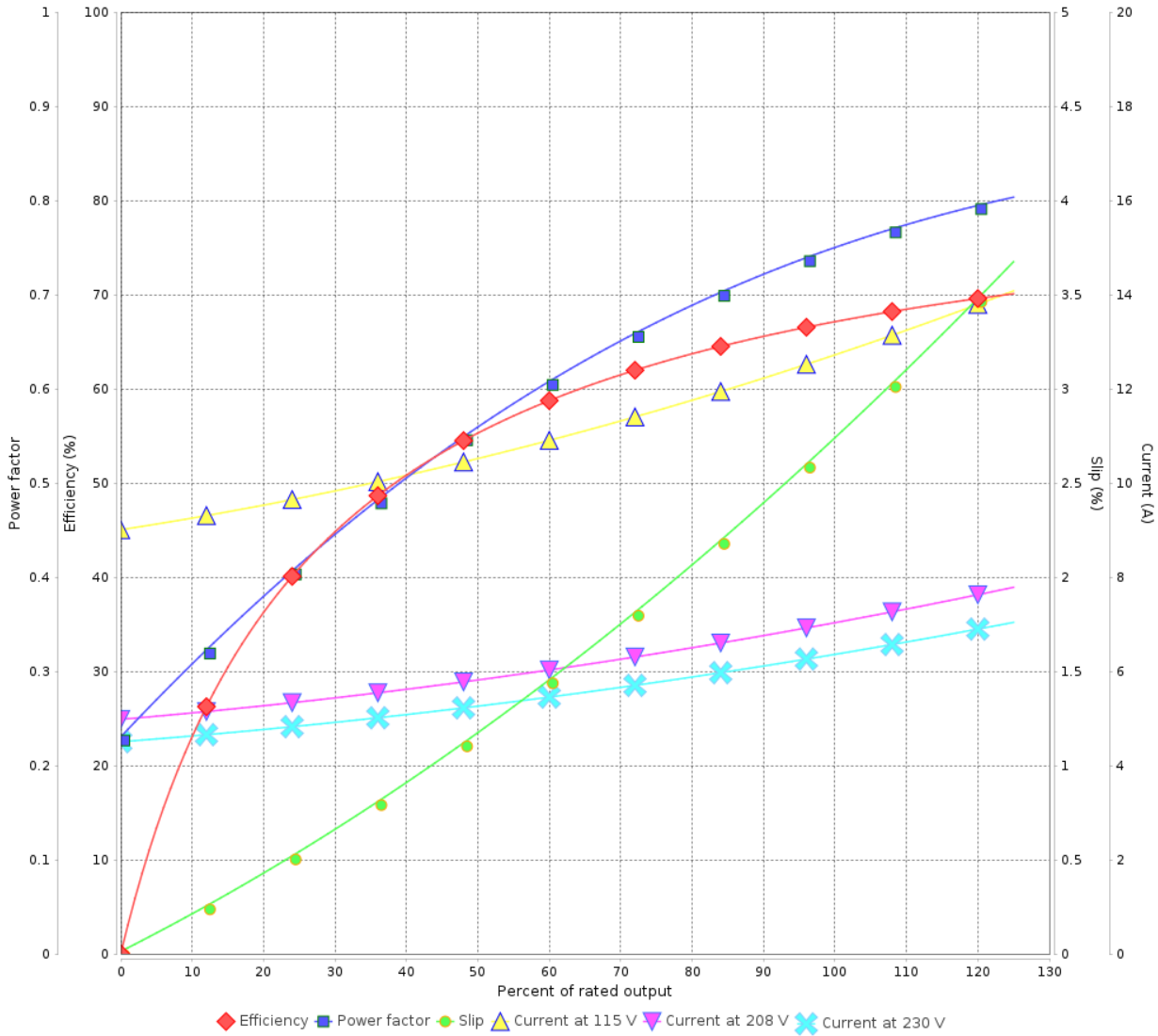


Customer :

Product line : Centrifugal Pump Single-Phase Start Capacitor

Product code : 10504701

LOAD PERFORMANCE CURVE

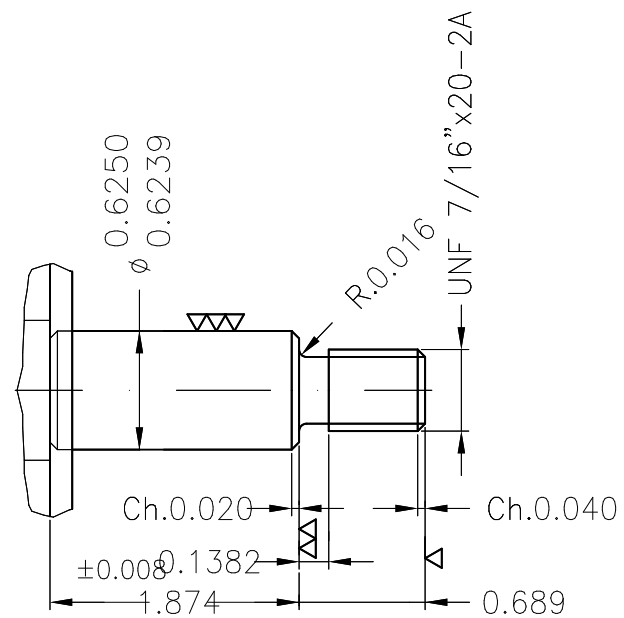
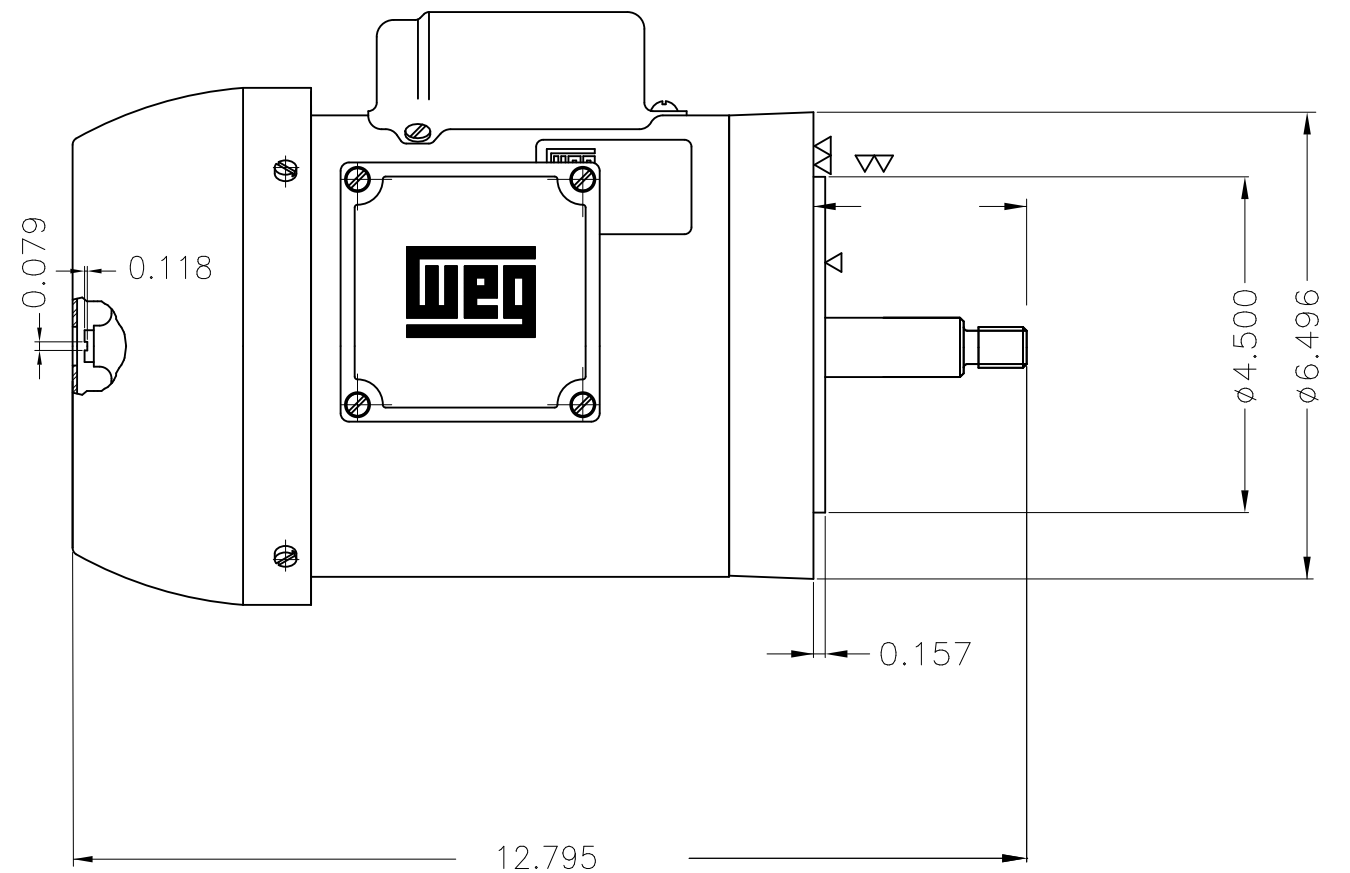
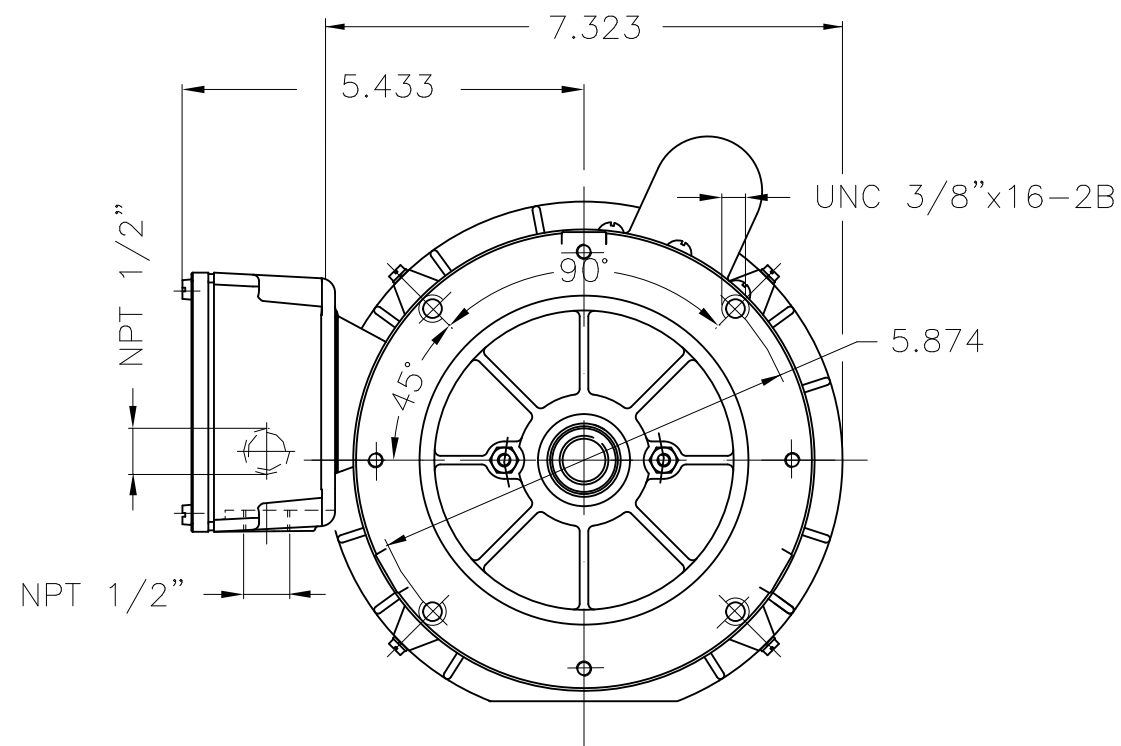


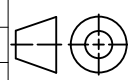
Performance : 115/208-230 V 60 Hz 2P

Rated current : 12.8/6.40-6.40 A
 LRC : 7.0
 Rated torque : 0.207 kgfm
 Locked rotor torque : 320 %
 Breakdown torque : 280 %
 Rated speed : 3500 rpm

Moment of inertia (J) : 0.0022 kgm²
 Duty cycle : Cont.(S1)
 Insulation class : B
 Service factor :
 Temperature rise : 80 K

Rev.	Changes Summary	Performed	Checked	Date
Performed by			Page 2 / 2	Revision
Checked by				
Date	14/01/2024			



Mounting B14R(D)						
ECM	LOC	SUMMARY OF MODIFICATIONS	EXECUTED	CHECKED	RELEASED	DATE
EXECUTED	HYBRISUSER	 SINGLE PH. MOTOR CENTRIFUGAL PUMP FRAME D56J IP55 TEFC				
CHECKED						
RELEASED						
REL. DATE	WMO	Jaragua do Sul	Product Engineering	SHEET 1 / 1		

1 HP 02 Poles 60 Hz

A

PREVIEW
WDD 00

