

DATA SHEET

Three Phase Induction Motor - Squirrel Cage



Customer	:			
Product line	: Jet Pump - J type Three-Phase	Product code : 13721751		
Frame	: W56J	Cooling method : IC411 - TEFC		
Insulation class	: F	Mounting : W-6		
Duty cycle	: Cont.(S1)	Rotation ¹ : CCW		
Ambient temperature	: -20°C to +40°C	Starting method : Direct On Line		
Altitude	: 1000 m.a.s.l.	Approx. weight ³ : 8.4 kg		
Protection degree	: IP55	Moment of inertia (J) : 0.0009 kgm ²		
Output [HP]		0.75		
Poles		2		
Frequency [Hz]		60		
Rated voltage [V]		575		
Rated current [A]		0.896		
L. R. Amperes [A]		7.26		
LRC [A]		8.1x(Code L)		
No load current [A]		0.498		
Rated speed [RPM]		3440		
Slip [%]		4.44		
Rated torque [kgfm]		0.158		
Locked rotor torque [%]		350		
Breakdown torque [%]		360		
Service factor		1.15		
Temperature rise		80 K		
Locked rotor time		28s (cold) 16s (hot)		
Noise level ²		65.0 dB(A)		
Efficiency (%)	25%			
	50%	70.0		
	75%	75.5		
	100%	77.0		
Power Factor	25%			
	50%	0.62		
	75%	0.74		
	100%	0.80		
Bearing type	: <u>Drive end</u> 6203 2RS <u>Non drive end</u> 6202 2RS	Foundation loads		
Sealing	: V'Ring V'Ring	Max. traction : 14 kgf		
Lubrication interval	: - -	Max. compression : 22 kgf		
Lubricant amount	: - -			
Lubricant type	: Mobil Polyrex EM			
Notes				
<p>This revision replaces and cancel the previous one, which must be eliminated.</p> <p>(1) Looking the motor from the shaft end.</p> <p>(2) Measured at 1m and with tolerance of +3dB(A).</p> <p>(3) Approximate weight subject to changes after manufacturing process.</p> <p>(4) At 100% of full load.</p>		<p>These are average values based on tests with sinusoidal power supply, subject to the tolerances stipulated in NEMA MG-1.</p>		
Rev.	Changes Summary	Performed	Checked	Date
Performed by				
Checked by			Page	Revision
Date	16/05/2022		1 / 2	

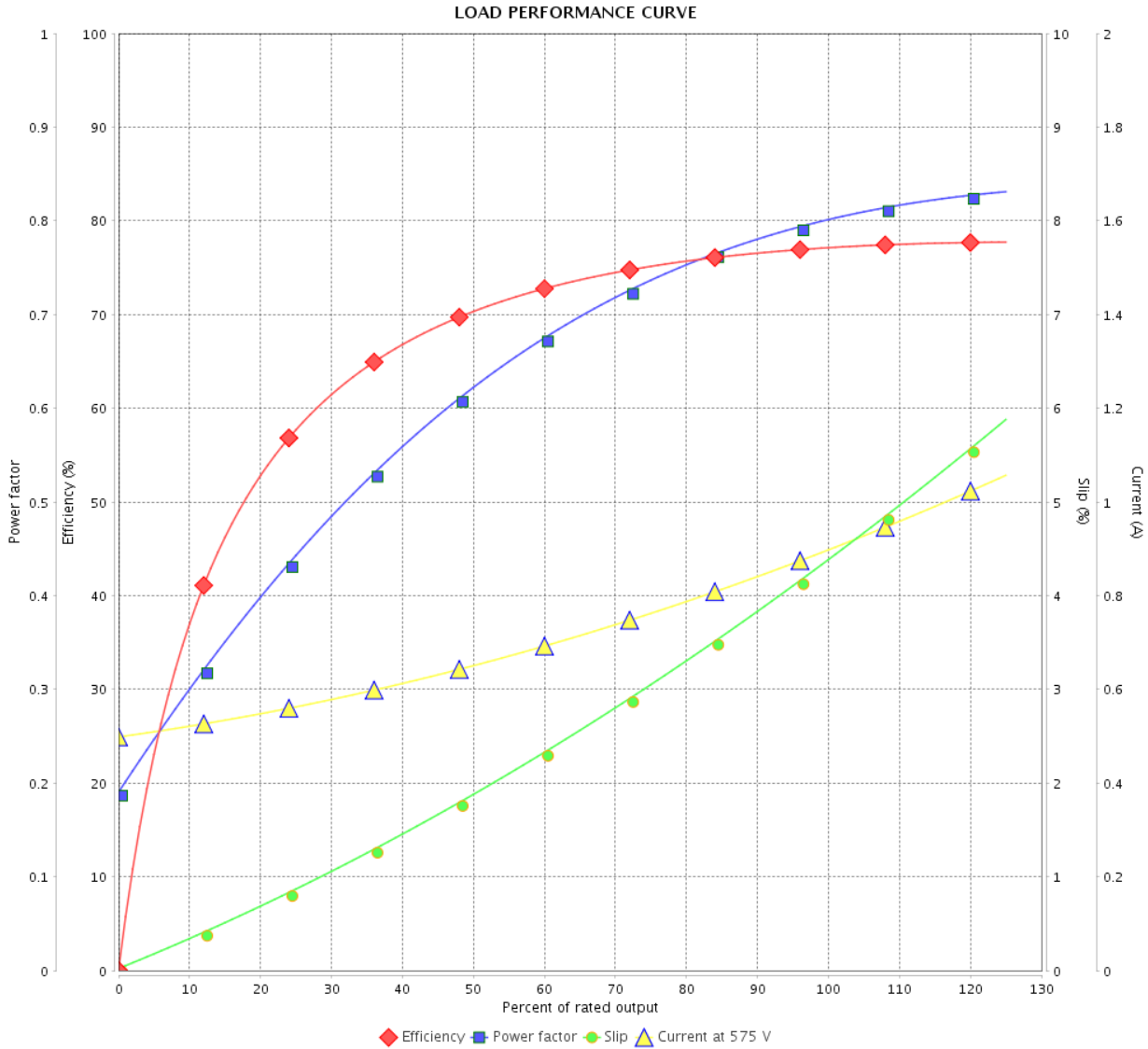
LOAD PERFORMANCE CURVE

Three Phase Induction Motor - Squirrel Cage



Customer :

Product line : Jet Pump - J type Three-Phase Product code : 13721751



Performance : 575 V 60 Hz 2P

Rated current : 0.896 A
 LRC : 8.1
 Rated torque : 0.158 kgfm
 Locked rotor torque : 350 %
 Breakdown torque : 360 %
 Rated speed : 3440 rpm

Moment of inertia (J) : 0.0009 kgm²
 Duty cycle : Cont.(S1)
 Insulation class : F
 Service factor : 1.15
 Temperature rise : 80 K

Rev.	Changes Summary	Performed	Checked	Date
Performed by			Page 2 / 2	Revision
Checked by				
Date	16/05/2022			

1 2 3 4 5 6

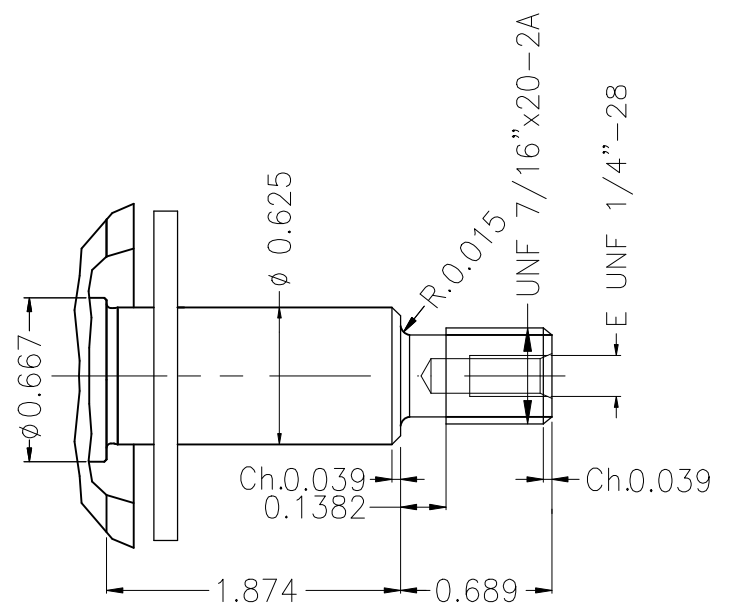
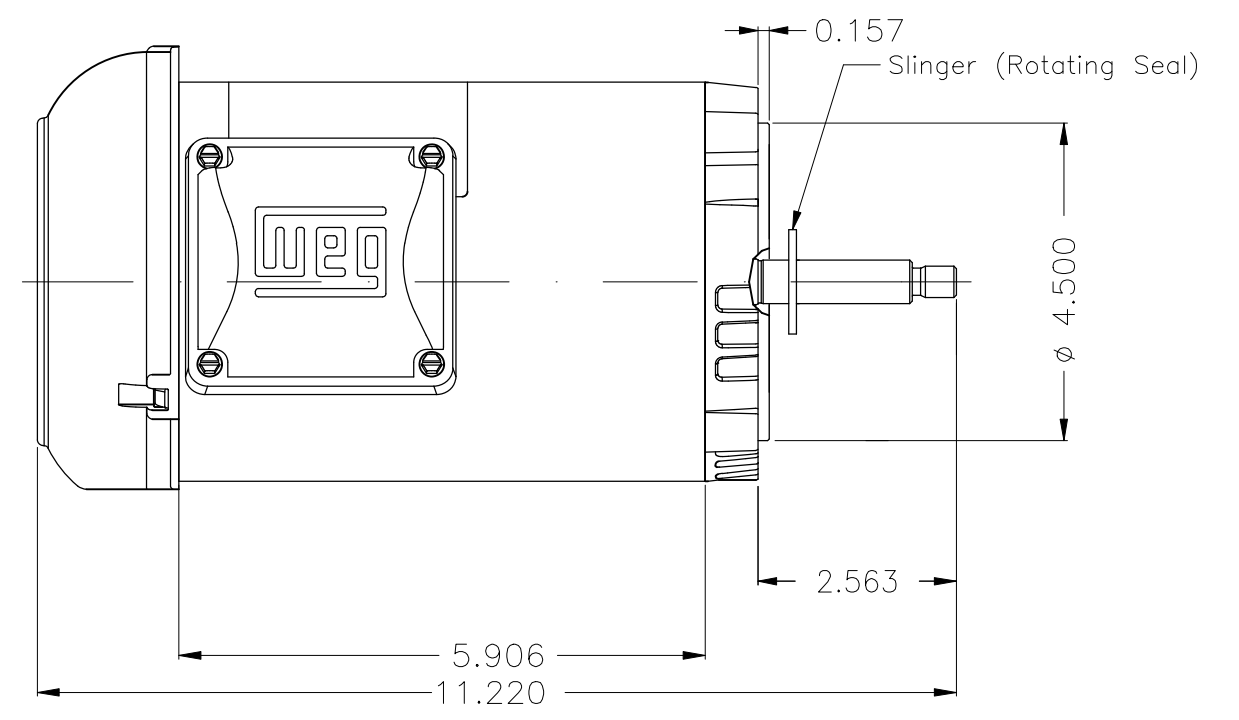
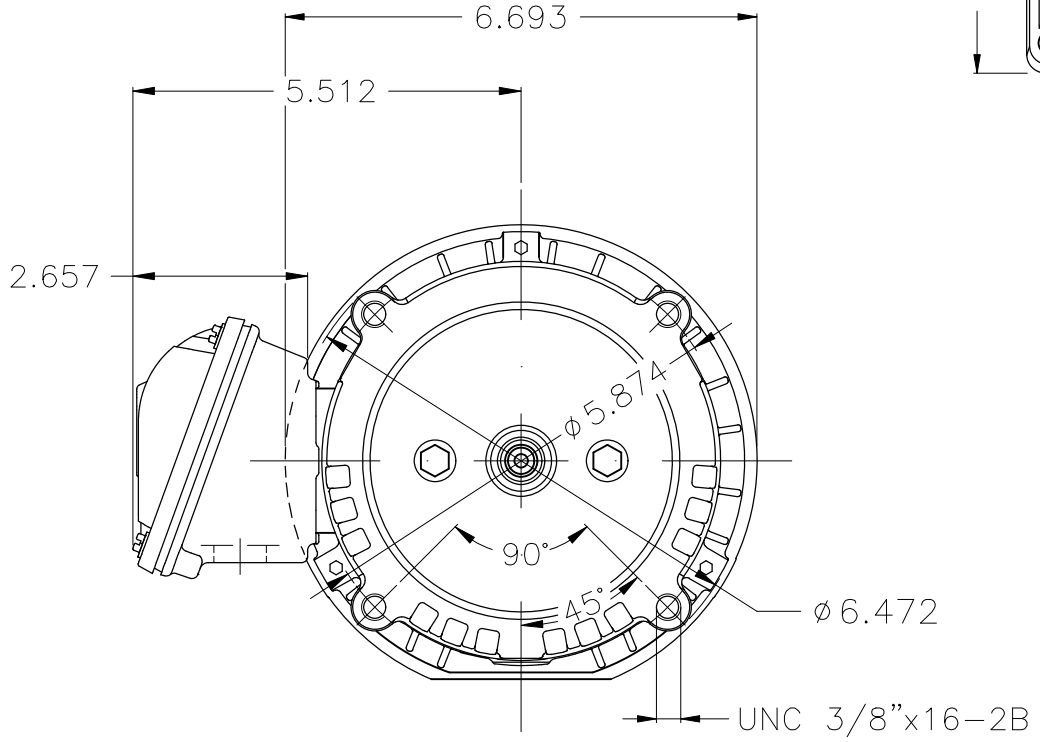
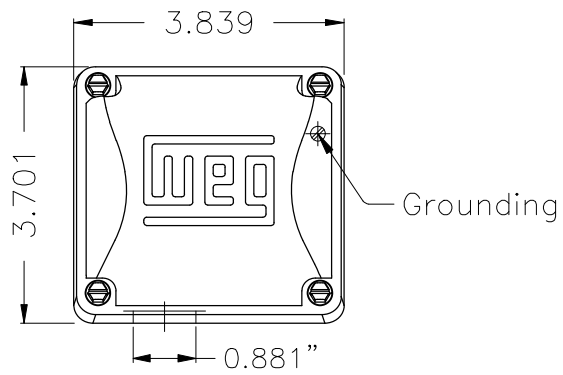
A

B

C

D

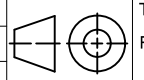
E



NDE sealing - V ring											
Color Munsell N 1 matte black											
Painting plan 207N											
Mounting W-6/V18R(D)											
									HYBRISUSER		00
ECM	LOC	SUMMARY OF MODIFICATIONS					EXECUTED	CHECKED	RELEASED	DATE	VER
EXECUTED	HYBRISUSER	THREE PH. MOTOR ROLLED STEEL JET PUMP THREADED FRAME W56J IP55 TEFC									
CHECKED											
RELEASED											
REL. DATE		WMO	Jaragua do Sul			Product Engineering	WDD	00	SHEET 1 / 1		

0.75 HP 02 Poles 60 Hz

A



PREVIEW



WEG's property. Forbidden reproduction without previous authorization.

Dimensions in inches XME A3