

DATA SHEET



Single Phase Induction Motor - Squirrel Cage

Customer :						
Product line		: Centrifugal Pump Single-Phase Start Capacitor		Product code : 10749078		
Frame	: B56J			Locked rotor time	: 10s (cold) 6s (hot)	
Output	: 0.75 HP (0.55 kW)			Temperature rise	: 80 K	
Poles	: 2			Duty cycle	: Cont.(S1)	
Frequency	: 60 Hz			Ambient temperature	: -20°C to +40°C	
Rated voltage	: 115/208-230 V			Altitude	: 1000 m.a.s.l.	
Rated current	: 10.4/5.00-5.20 A			Protection degree	: IP55	
L. R. Amperes	: 65.5/31.5-32.8 A			Cooling method	: IC411 - TEFC	
LRC	: 6.3x(Code M)			Mounting	: F-1	
No load current	: 7.60/3.28-3.80 A			Rotation ¹	: CCW	
Rated speed	: 3490 rpm			Noise level ²	: 55.0 dB(A)	
Slip	: 3.06 %			Starting method	: Direct On Line	
Rated torque	: 0.156 kgfm			Approx. weight ³	: 12.7 kg	
Locked rotor torque	: 300 %					
Breakdown torque	: 290 %					
Insulation class	: B					
Service factor	: 1.15					
Moment of inertia (J)	: 0.0017 kgm ²					
Output	25%	50%	75%	100%	Foundation loads	
Efficiency (%)	49.0	52.0	60.0	64.0	Max. traction	: 8 kgf
Power Factor	0.31	0.54	0.64	0.72	Max. compression	: 20 kgf
			<u>Drive end</u>		<u>Non drive end</u>	
Bearing type	:		6203 2RS		6202 2RS	
Sealing	:		V'Ring		V'Ring	
Lubrication interval	:		-		-	
Lubricant amount	:		-		-	
Lubricant type	:		Mobil Polyrex EM			
Notes:						
This revision replaces and cancel the previous one, which must be eliminated. (1) Looking the motor from the shaft end. (2) Measured at 1m and with tolerance of +3dB(A). (3) Approximate weight subject to changes after manufacturing process. (4) At 100% of full load.			These are average values based on tests with sinusoidal power supply, subject to the tolerances stipulated in NEMA MG-1.			
Rev.	Changes Summary			Performed	Checked	Date
Performed by						
Checked by					Page	Revision
Date	14/01/2024				1 / 2	

LOAD PERFORMANCE CURVE

Single Phase Induction Motor - Squirrel Cage

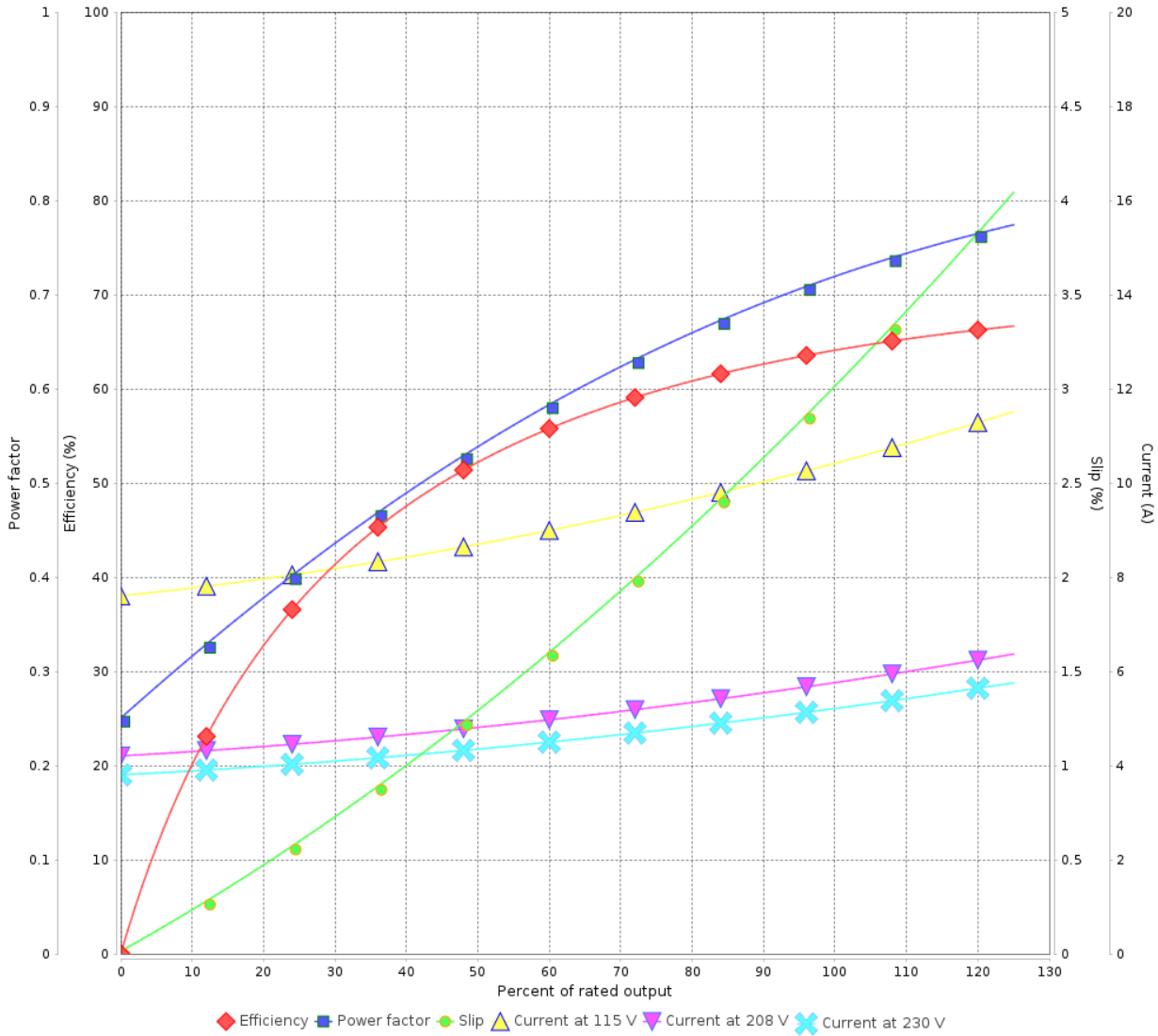


Customer :

Product line : Centrifugal Pump Single-Phase Start Capacitor

Product code : 10749078

LOAD PERFORMANCE CURVE

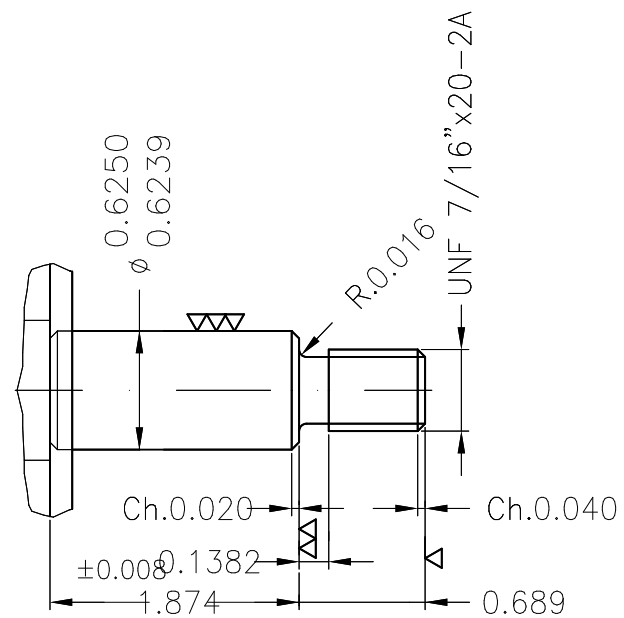
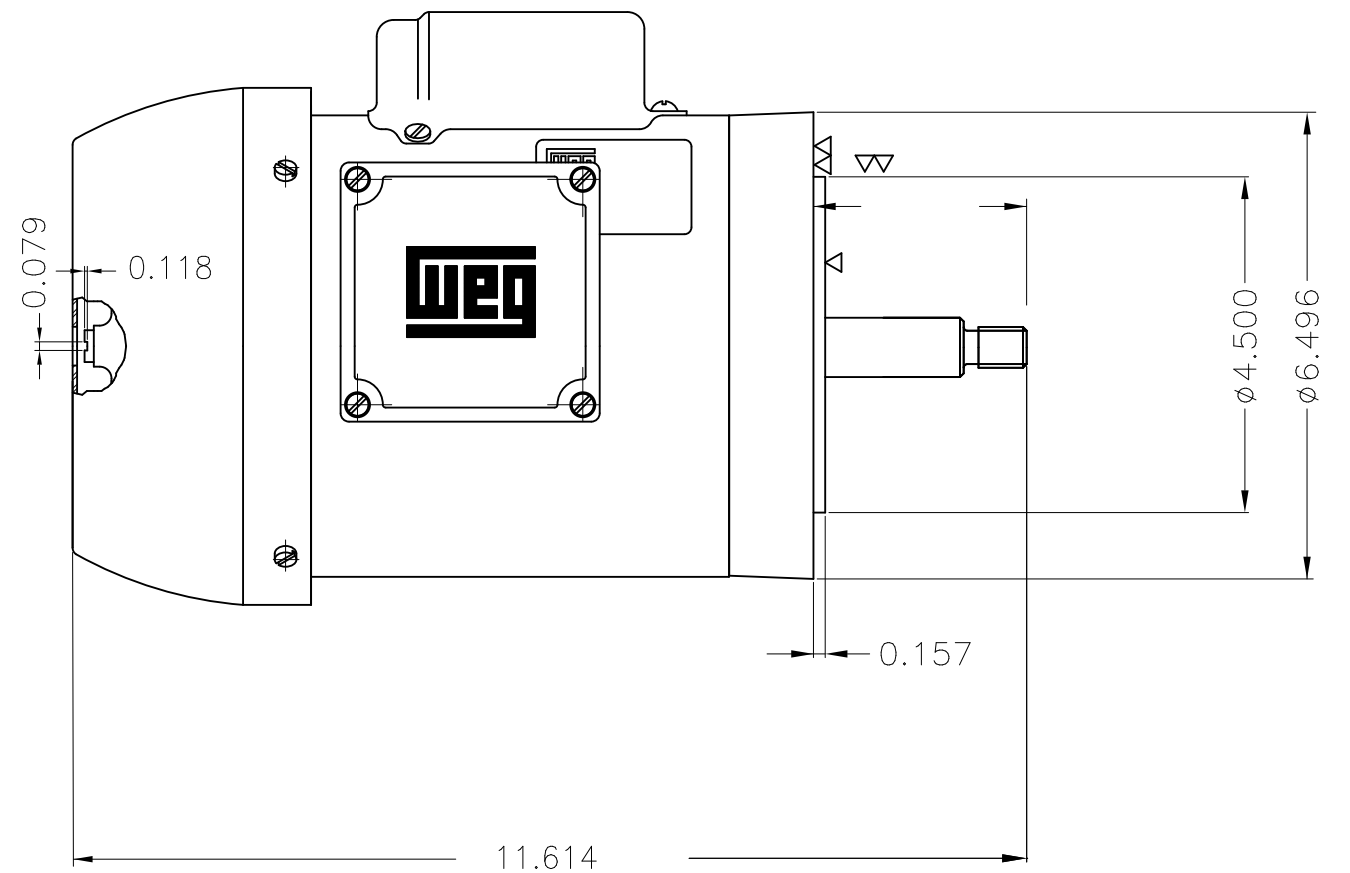
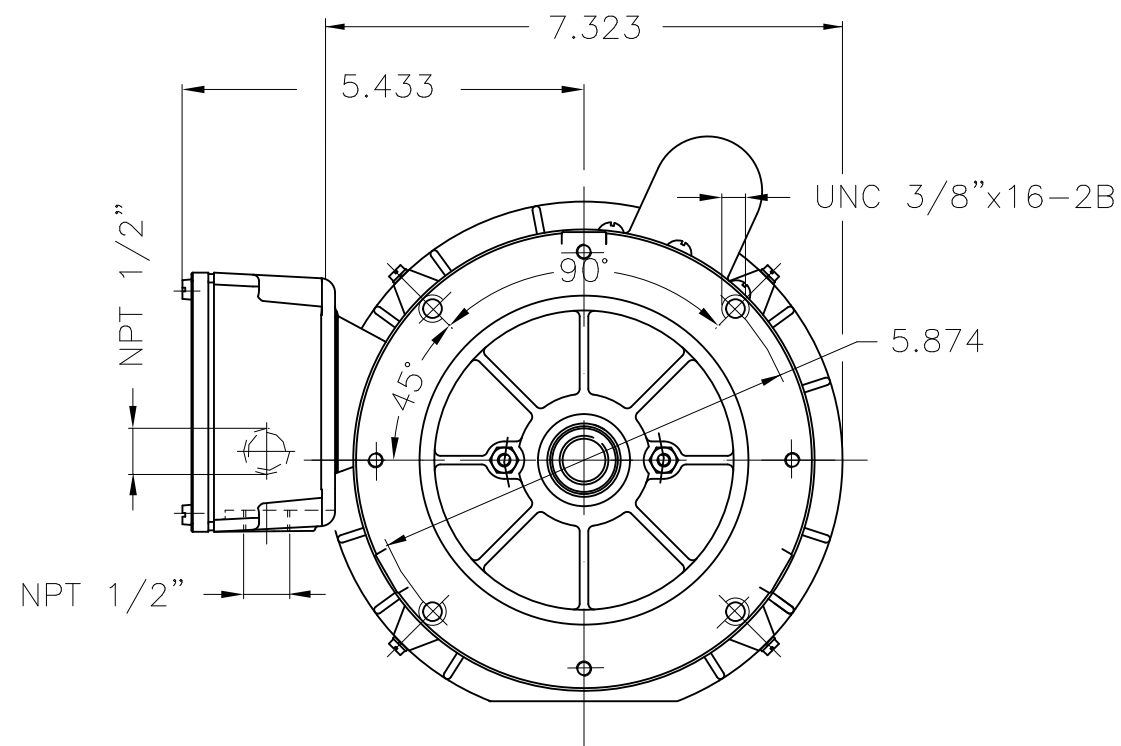


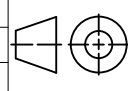

Performance : 115/208-230 V 60 Hz 2P

Rated current : 10.4/5.00-5.20 A
 LRC : 6.3
 Rated torque : 0.156 kgfm
 Locked rotor torque : 300 %
 Breakdown torque : 290 %
 Rated speed : 3490 rpm

Moment of inertia (J) : 0.0017 kgm²
 Duty cycle : Cont.(S1)
 Insulation class : B
 Service factor :
 Temperature rise : 80 K

Rev.	Changes Summary	Performed	Checked	Date
Performed by			Page 2 / 2	Revision
Checked by				
Date	14/01/2024			



Mounting B14R(D)						
ECM	LOC	SUMMARY OF MODIFICATIONS	EXECUTED	CHECKED	RELEASED	DATE
EXECUTED	HYBRISUSER	 SINGLE PH. MOTOR CENTRIFUGAL PUMP FRAME B56J IP55 TEFC				
CHECKED						
RELEASED						
REL. DATE	WMO	Jaragua do Sul	Product Engineering	PREVIEW WDD 00 SHEET 1 / 1		

3/4 HP 02 Poles 60 Hz