

DATA SHEET



Three Phase Induction Motor - Squirrel Cage

Customer					
Product line	: Jet Pump - J type Premium Efficiency Three-Phase	Product code :	13870568		
Frame	: W56J	Cooling method	: IC411 - TEFC		
Insulation class	: F	Mounting	: W-6		
Duty cycle	: Cont.(S1)	Rotation ¹	: CCW		
Ambient temperature	: -20°C to +40°C	Starting method	: Direct On Line		
Altitude	: 1000 m.a.s.l.	Approx. weight ³	: 9.5 kg		
Protection degree	: IP55	Moment of inertia (J)	: 0.0022 kgm ²		
Output [HP]	0.5				
Poles	4				
Frequency [Hz]	60				
Rated voltage [V]	575				
Rated current [A]	0.622				
L. R. Amperes [A]	3.98				
LRC [A]	6.4x(Code J)				
No load current [A]	0.397				
Rated speed [RPM]	1730				
Slip [%]	3.89				
Rated torque [kgfm]	0.210				
Locked rotor torque [%]	229				
Breakdown torque [%]	310				
Service factor	1.15				
Temperature rise	80 K				
Locked rotor time	36s (cold) 20s (hot)				
Noise level ²	50.0 dB(A)				
Efficiency (%)	25%				
	50%	74.0			
	75%	77.0			
	100%	78.5			
Power Factor	25%				
	50%	0.54			
	75%	0.67			
	100%	0.76			
Bearing type	: Drive end : 6203 2RS	Non drive end : 6202 2RS	Foundation loads		
Sealing	: V'Ring	V'Ring	Max. traction	: 16 kgf	
Lubrication interval	: -	-	Max. compression	: 25 kgf	
Lubricant amount	: -	-			
Lubricant type	: Mobil Polyrex EM				
Notes					
<p>This revision replaces and cancel the previous one, which must be eliminated.</p> <p>(1) Looking the motor from the shaft end.</p> <p>(2) Measured at 1m and with tolerance of +3dB(A).</p> <p>(3) Approximate weight subject to changes after manufacturing process.</p> <p>(4) At 100% of full load.</p>			<p>These are average values based on tests with sinusoidal power supply, subject to the tolerances stipulated in NEMA MG-1.</p>		
Rev.	Changes Summary		Performed	Checked	Date
Performed by					
Checked by				Page	Revision
Date	16/05/2022			1 / 2	

LOAD PERFORMANCE CURVE

Three Phase Induction Motor - Squirrel Cage

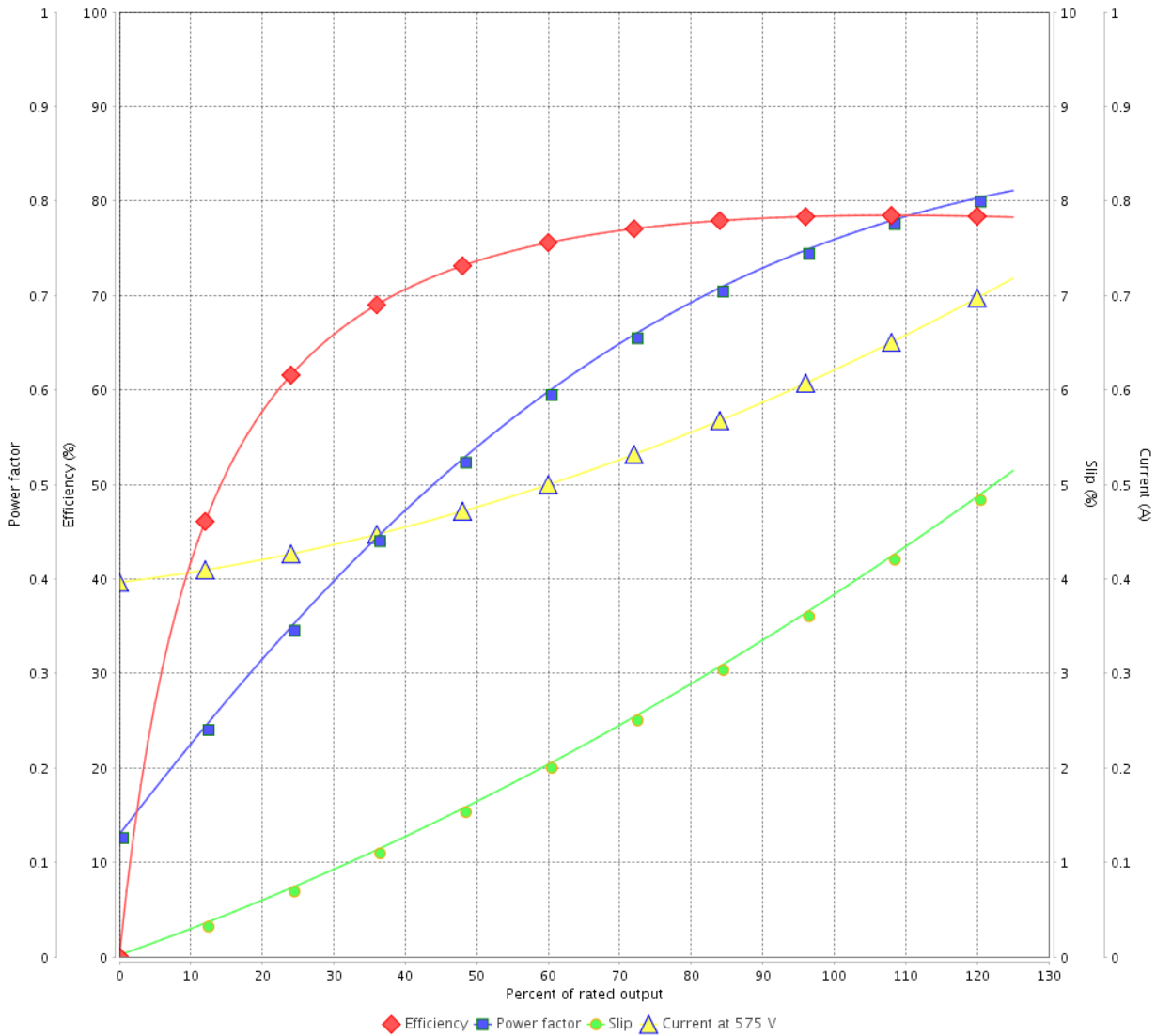


Customer : _____

Product line : Jet Pump - J type Premium
Efficiency Three-Phase

Product code : 13870568

LOAD PERFORMANCE CURVE



Performance : 575 V 60 Hz 4P

Rated current : 0.622 A
LRC : 6.4
Rated torque : 0.210 kgfm
Locked rotor torque : 229 %
Breakdown torque : 310 %
Rated speed : 1730 rpm

Moment of inertia (J) : 0.0022 kgm²
Duty cycle : Cont.(S1)
Insulation class : F
Service factor : 1.15
Temperature rise : 80 K

Rev.	Changes Summary	Performed	Checked	Date
Performed by			Page	Revision
Checked by				
Date				

1 2 3 4 5 6

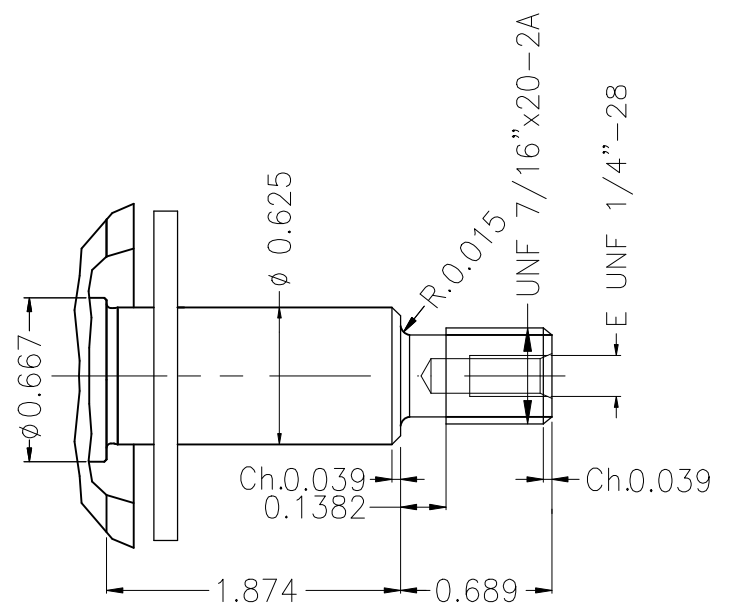
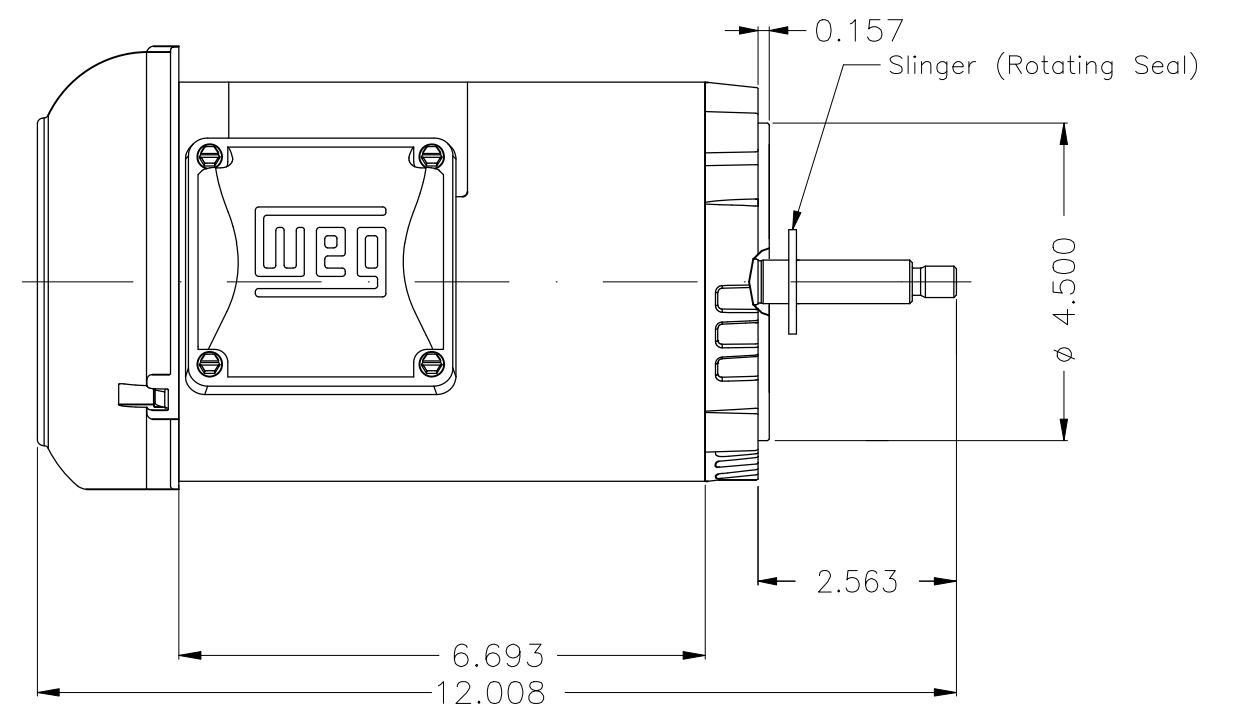
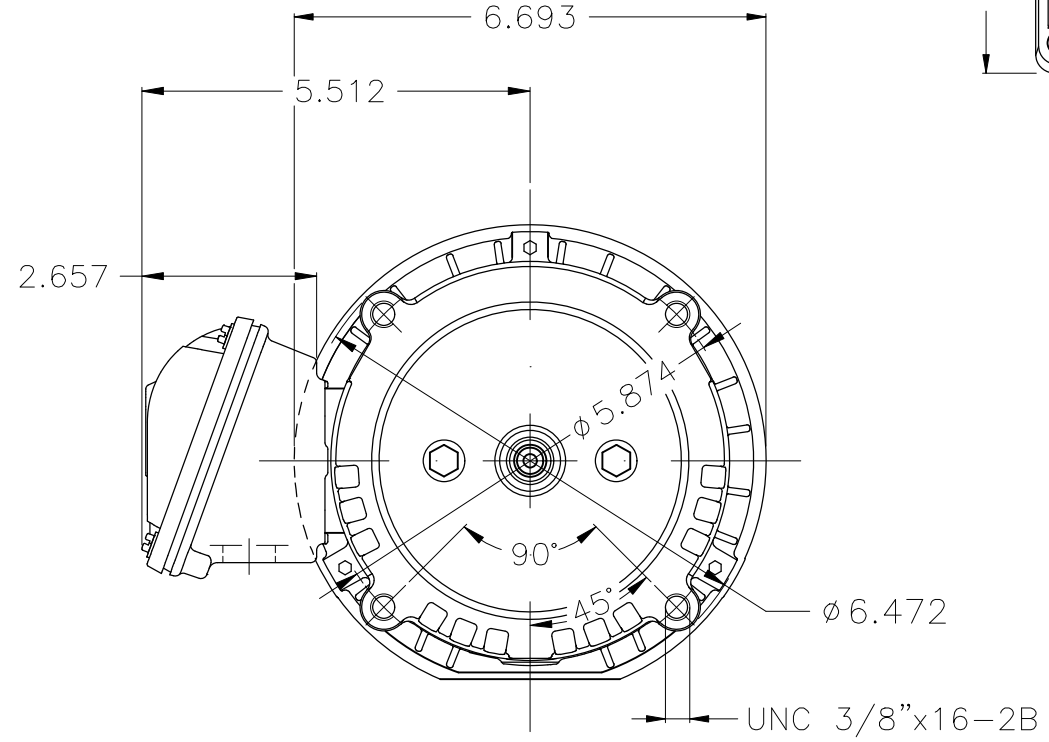
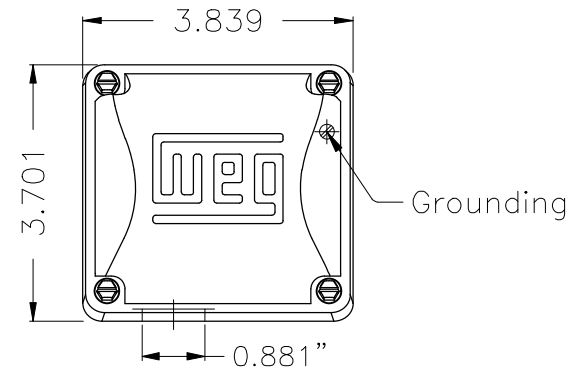
A

B

C

D

E



NDE sealing - V ring						
Color Munsell N 1 matte black						
Painting plan 207N						
Mounting W-6/V18R(D)						
					HYBRISUSER	00
ECM	LOC	SUMMARY OF MODIFICATIONS		EXECUTED	CHECKED	RELEASED DATE VER
EXECUTED	HYBRISUSER	THREE PH. MOTOR ROLLED STEEL JET PUMP THREADED FRAME W56J IP55 TEFC				
CHECKED						
RELEASED						
REL. DATE	WMO	Jaragua do Sul	Product Engineering	WDD	00	1 / 1

0.5 HP 04 Poles 60 Hz

A

