

DATA SHEET



Three Phase Induction Motor - Squirrel Cage

| | | | | | |
|---|---|-----------------------------|---|----------|----------|
| Customer | : | | | | |
| Product line | : Jet Pump - J type Premium Efficiency Three-Phase | Product code : | 15942858 | | |
| Frame | : W56J | Cooling method | : IC411 - TEFC | | |
| Insulation class | : F | Mounting | : W-6 | | |
| Duty cycle | : Cont.(S1) | Rotation ¹ | : CCW | | |
| Ambient temperature | : -20°C to +40°C | Starting method | : Direct On Line | | |
| Altitude | : 1000 m.a.s.l. | Approx. weight ³ | : 7.9 kg | | |
| Protection degree | : IP55 | Moment of inertia (J) | : 0.0008 kgm ² | | |
| Output [HP] | 0.5 | | | | |
| Poles | 2 | | | | |
| Frequency [Hz] | 60 | | | | |
| Rated voltage [V] | 575 | | | | |
| Rated current [A] | 0.627 | | | | |
| L. R. Amperes [A] | 4.83 | | | | |
| LRC [A] | 7.7x(Code L) | | | | |
| No load current [A] | 0.334 | | | | |
| Rated speed [RPM] | 3435 | | | | |
| Slip [%] | 4.58 | | | | |
| Rated torque [kgfm] | 0.106 | | | | |
| Locked rotor torque [%] | 330 | | | | |
| Breakdown torque [%] | 360 | | | | |
| Service factor | 1.15 | | | | |
| Temperature rise | 80 K | | | | |
| Locked rotor time | 32s (cold) 18s (hot) | | | | |
| Noise level ² | 65.0 dB(A) | | | | |
| Efficiency (%) | 25% | | | | |
| | 50% | 68.0 | | | |
| | 75% | 72.0 | | | |
| | 100% | 74.0 | | | |
| Power Factor | 25% | | | | |
| | 50% | 0.64 | | | |
| | 75% | 0.75 | | | |
| | 100% | 0.80 | | | |
| Bearing type | : Drive end 6203 2RS | Non drive end 6202 2RS | Foundation loads | | |
| Sealing | : V'Ring | V'Ring | Max. traction | : 8 kgf | |
| Lubrication interval | : - | - | Max. compression | : 16 kgf | |
| Lubricant amount | : - | - | | | |
| Lubricant type | : Mobil Polyrex EM | | | | |
| Notes | | | | | |
| <p>This revision replaces and cancel the previous one, which must be eliminated.</p> <p>(1) Looking the motor from the shaft end.</p> <p>(2) Measured at 1m and with tolerance of +3dB(A).</p> <p>(3) Approximate weight subject to changes after manufacturing process.</p> <p>(4) At 100% of full load.</p> | | | <p>These are average values based on tests with sinusoidal power supply, subject to the tolerances stipulated in NEMA MG-1.</p> | | |
| Rev. | Changes Summary | | Performed | Checked | Date |
| Performed by | | | | | |
| Checked by | | | | Page | Revision |
| Date | 16/05/2022 | | | 1 / 2 | |

LOAD PERFORMANCE CURVE

Three Phase Induction Motor - Squirrel Cage

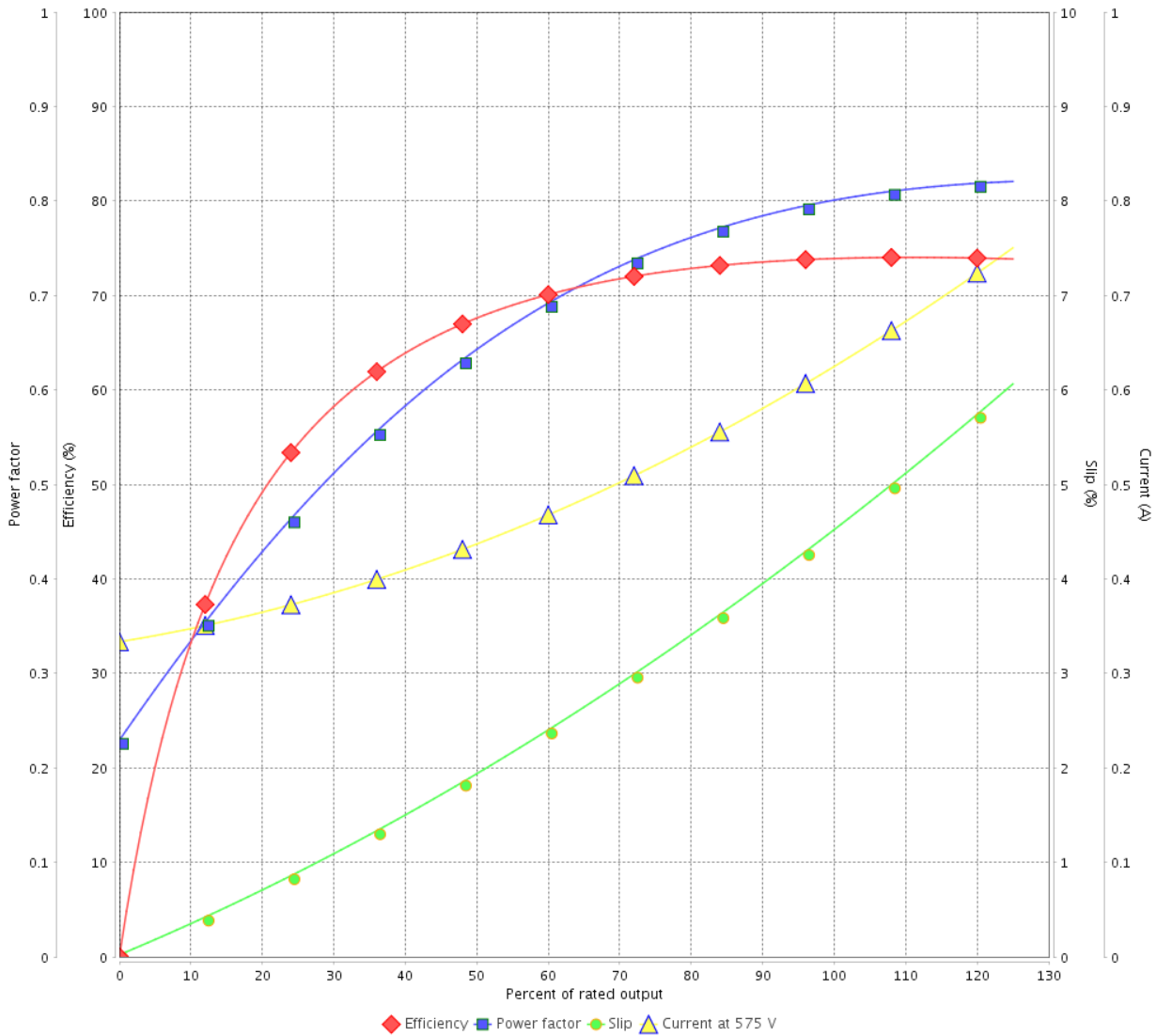


Customer :

Product line : Jet Pump - J type Premium
Efficiency Three-Phase

Product code : 15942858

LOAD PERFORMANCE CURVE



Performance : 575 V 60 Hz 2P

Rated current : 0.627 A
LRC : 7.7
Rated torque : 0.106 kgfm
Locked rotor torque : 330 %
Breakdown torque : 360 %
Rated speed : 3435 rpm

Moment of inertia (J) : 0.0008 kgm²
Duty cycle : Cont.(S1)
Insulation class : F
Service factor : 1.15
Temperature rise : 80 K

| Rev. | Changes Summary | Performed | Checked | Date |
|--------------|-----------------|-----------|---------------|----------|
| | | | | |
| Performed by | | | Page 2 / 2 | Revision |
| Checked by | | | | |
| Date | 16/05/2022 | | | |

1 2 3 4 5 6

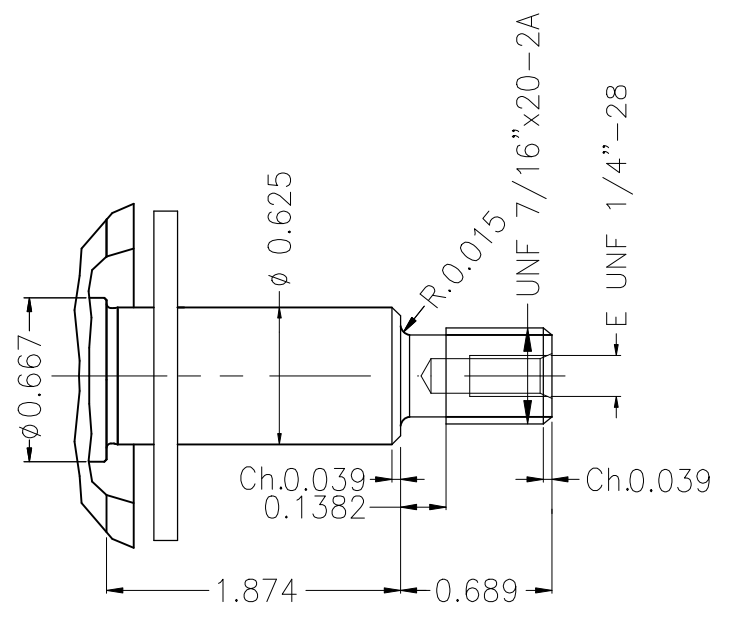
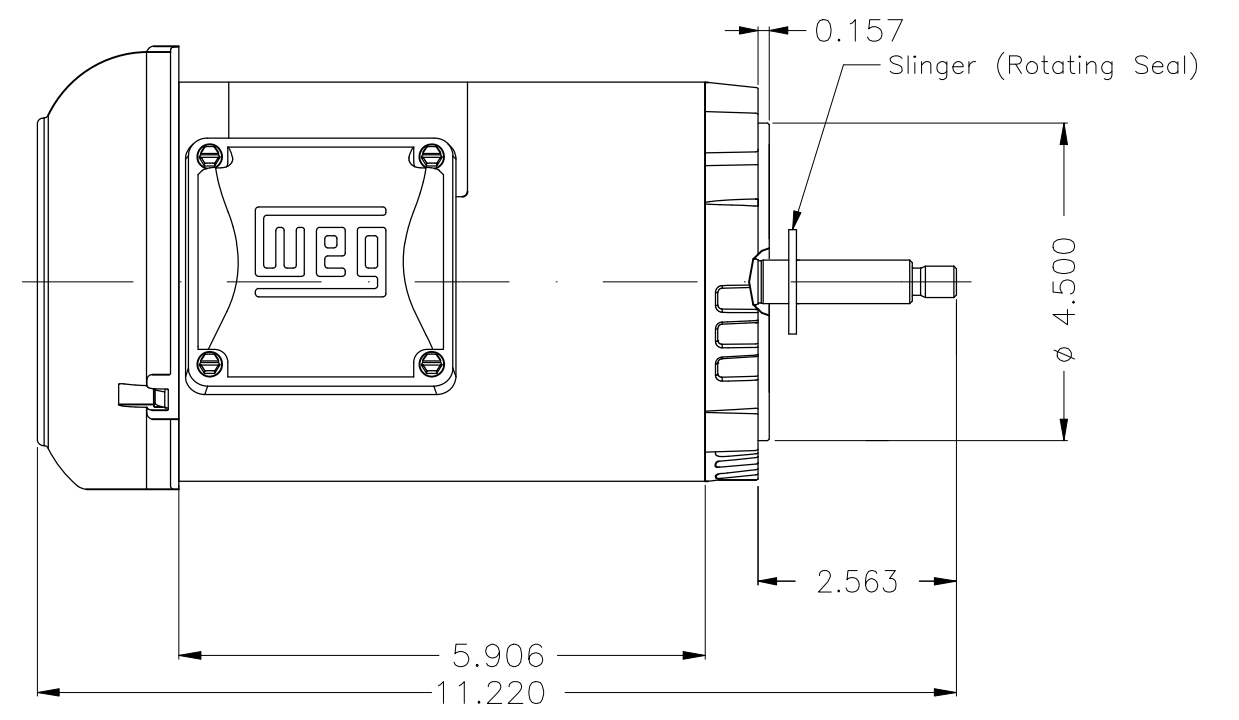
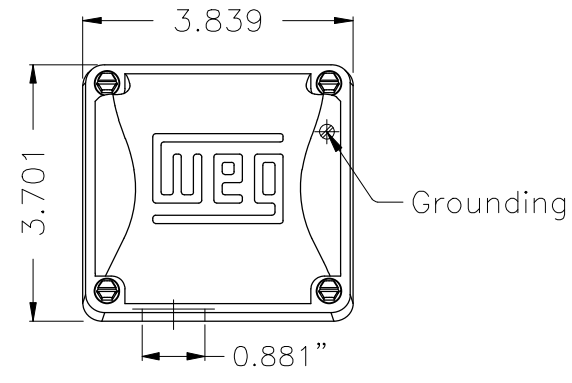
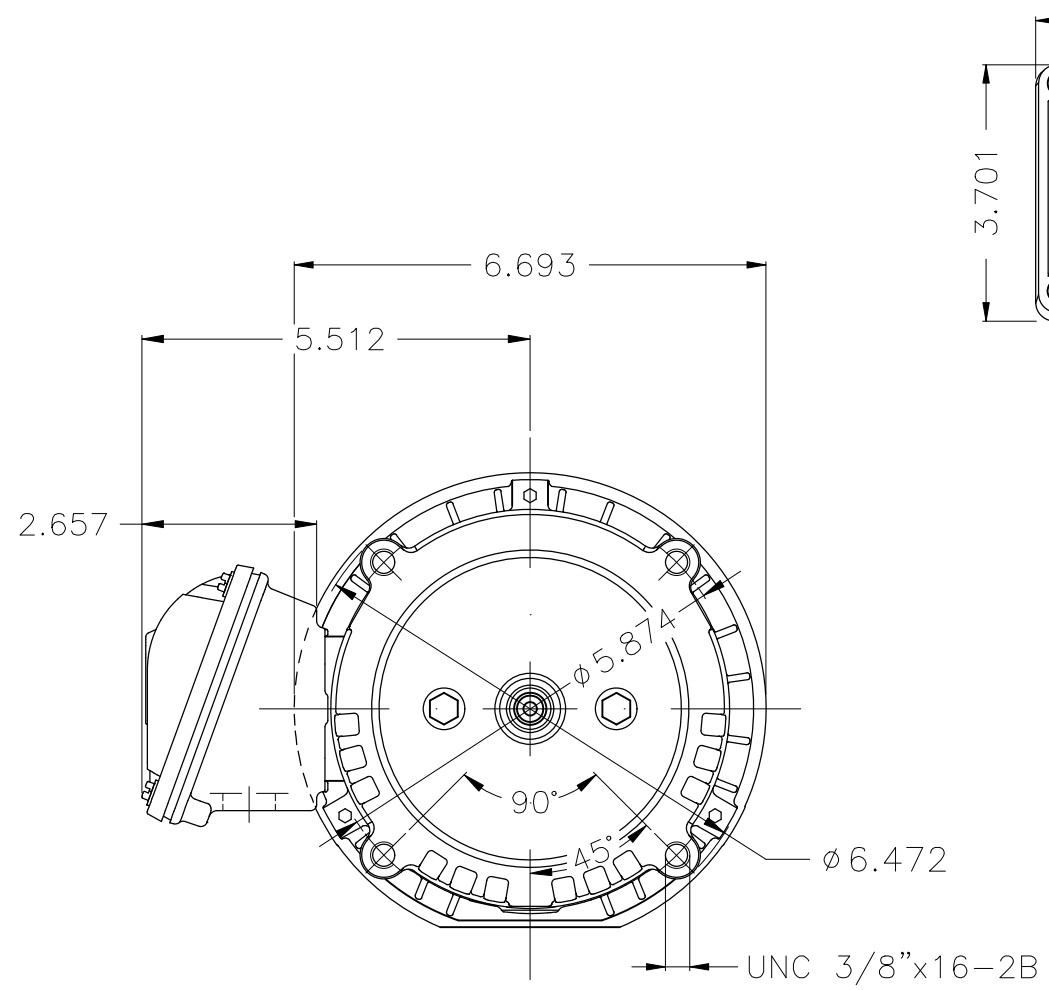
A

B

C

D

E



NDE sealing - V ring
 Color Munsell N 1 matte black
 Painting plan 207N
 Mounting W-6/V18R(D)

| ECM | LOC | SUMMARY OF MODIFICATIONS | EXECUTED | CHECKED | RELEASED | DATE | VER |
|-----------|------------|--|---------------------|---------|----------|------|-----|
| EXECUTED | HYBRISUSER | THREE PH. MOTOR ROLLED STEEL JET PUMP THREADED PREL. SET | | | | | |
| CHECKED | | FRAME W56J IP55 TEFC | | | | | |
| RELEASED | | | | | | | |
| REL. DATE | WMO | Jaragua do Sul | Product Engineering | WDD | 00 | | |

0.5 HP 02 Poles 60 Hz

A SHEET 1 / 1

Dimensions in inches XME A3

