

# DATA SHEET

## Three Phase Induction Motor - Squirrel Cage



Customer :					
Product line		: Jet Pump - J type Three-Phase	Product code :	13721750	
Frame	: W56J	Cooling method	: IC411 - TEFC		
Insulation class	: F	Mounting	: W-6		
Duty cycle	: Cont.(S1)	Rotation <sup>1</sup>	: CCW		
Ambient temperature	: -20°C to +40°C	Starting method	: Direct On Line		
Altitude	: 1000 m.a.s.l.	Approx. weight <sup>2</sup>	: 7.9 kg		
Protection degree	: IP55	Moment of inertia (J)	: 0.0008 kgm <sup>2</sup>		
Output [HP]	0.5	0.5	0.5		
Poles	2	2	2		
Frequency [Hz]	60	50	50		
Rated voltage [V]	208-230/460	190/380	220/415		
Rated current [A]	1.73-1.57/0.784	1.77/0.885	1.58/0.836		
L. R. Amperes [A]	13.3-12.1/6.04	10.3/5.13	10.7/5.68		
LRC [A]	7.7x(Code L)	5.8x(Code H)	6.8x(Code K)		
No load current [A]	0.719-0.834/0.417	0.816/0.408	0.879/0.466		
Rated speed [RPM]	3435	2780	2825		
Slip [%]	4.58	7.33	5.83		
Rated torque [kgfm]	0.106	0.131	0.128		
Locked rotor torque [%]	330	240	300		
Breakdown torque [%]	360	250	310		
Service factor		1.15	1.15		
Temperature rise	80 K	80 K	80 K		
Locked rotor time	32s (cold) 18s (hot)	32s (cold) 18s (hot)	25s (cold) 14s (hot)		
Noise level <sup>2</sup>	65.0 dB(A)	64.0 dB(A)	64.0 dB(A)		
Efficiency (%)	25%				
	50%	68.0	72.0	70.9	
	75%	72.0	75.0	75.1	
	100%	74.0	74.7	76.0	
Power Factor	25%				
	50%	0.64	0.70	0.63	
	75%	0.75	0.81	0.75	
	100%	0.80	0.85	0.81	
Bearing type	: <u>Drive end</u> 6203 2RS <u>Non drive end</u> 6202 2RS	Foundation loads			
Sealing	: V'Ring V'Ring	Max. traction	: 8 kgf		
Lubrication interval	: - -	Max. compression	: 16 kgf		
Lubricant amount	: - -				
Lubricant type	: Mobil Polyrex EM				
Notes USABLE @208V SF 1.00					
This revision replaces and cancel the previous one, which must be eliminated. (1) Looking the motor from the shaft end. (2) Measured at 1m and with tolerance of +3dB(A). (3) Approximate weight subject to changes after manufacturing process. (4) At 100% of full load.			These are average values based on tests with sinusoidal power supply, subject to the tolerances stipulated in NEMA MG-1.		
Rev.	Changes Summary		Performed	Checked	Date
Performed by					
Checked by				Page	Revision
Date	16/05/2022			1 / 4	

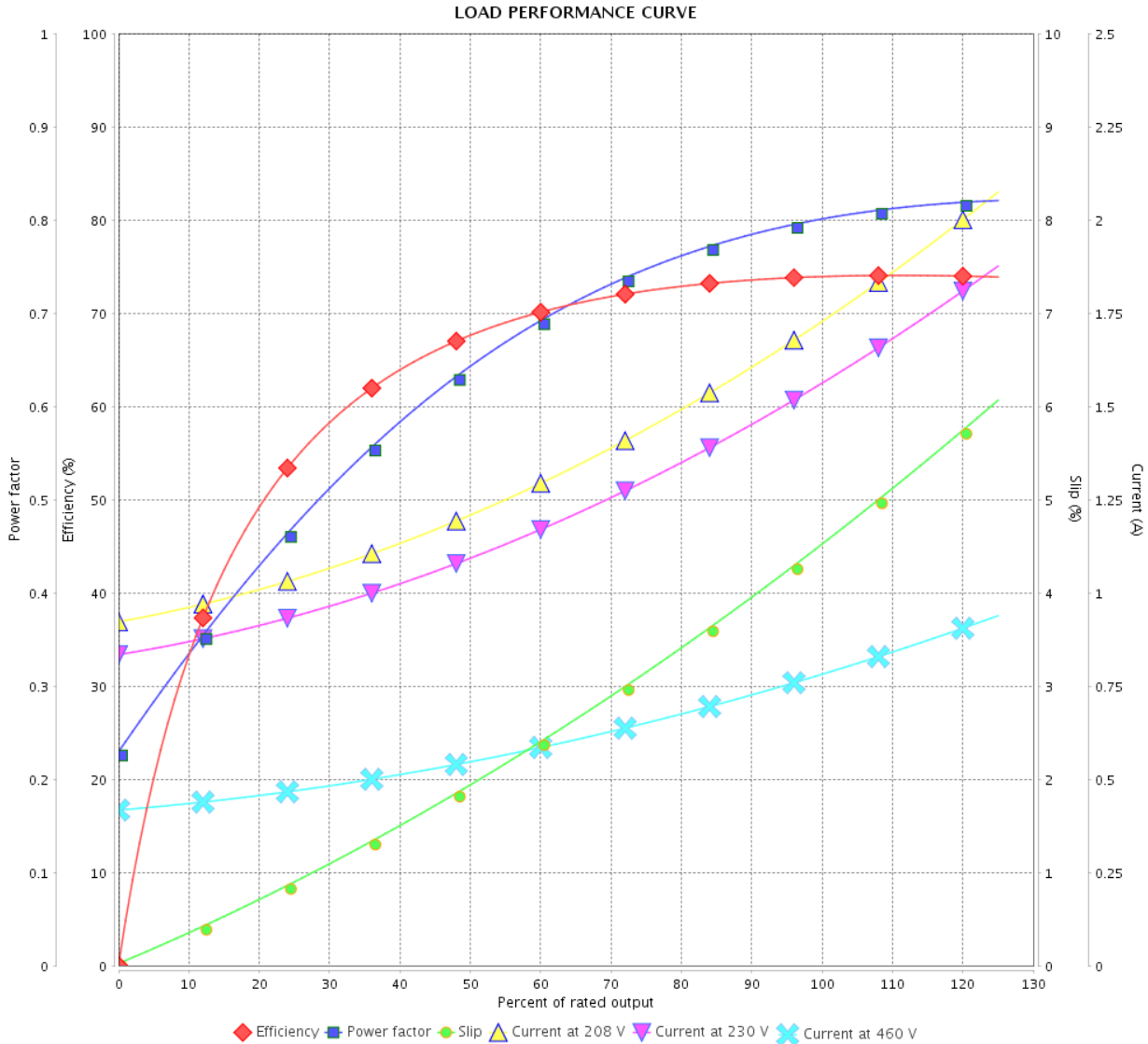
# LOAD PERFORMANCE CURVE

Three Phase Induction Motor - Squirrel Cage



Customer :

Product line : Jet Pump - J type Three-Phase Product code : 13721750



Performance : 208-230/460 V 60 Hz 2P

Rated current : 1.73-1.57/0.784 A  
 LRC : 7.7  
 Rated torque : 0.106 kgfm  
 Locked rotor torque : 330 %  
 Breakdown torque : 360 %  
 Rated speed : 3435 rpm

Moment of inertia (J) : 0.0008 kgm<sup>2</sup>  
 Duty cycle : Cont.(S1)  
 Insulation class : F  
 Service factor :  
 Temperature rise : 80 K

Rev.	Changes Summary	Performed	Checked	Date
Performed by			Page	Revision
Checked by				
Date				

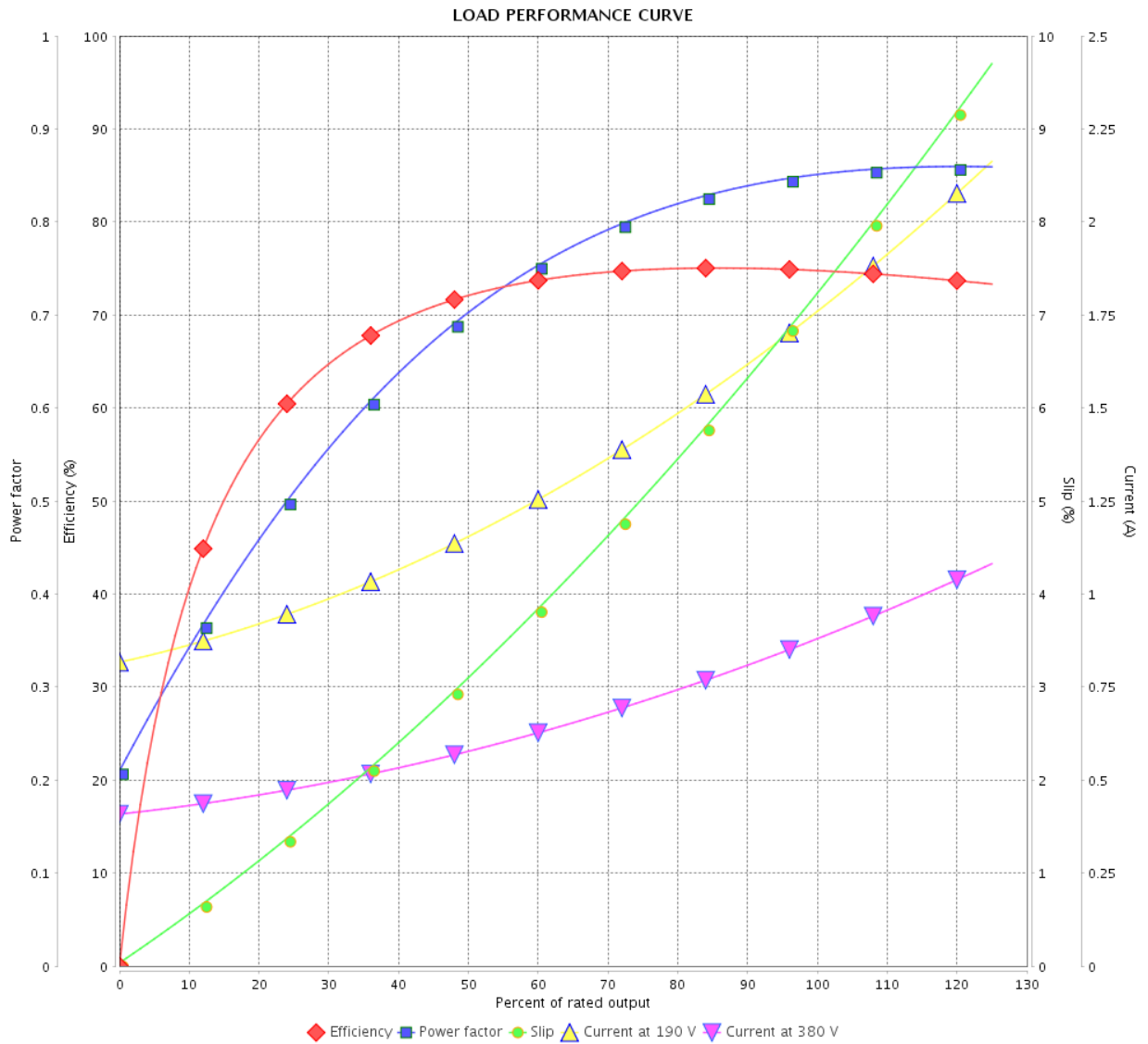
# LOAD PERFORMANCE CURVE

Three Phase Induction Motor - Squirrel Cage



Customer : \_\_\_\_\_

Product line : Jet Pump - J type Three-Phase      Product code : 13721750



Performance : 190/380 V 50 Hz 2P

Rated current : 1.77/0.885 A  
 LRC : 5.8  
 Rated torque : 0.131 kgfm  
 Locked rotor torque : 240 %  
 Breakdown torque : 250 %  
 Rated speed : 2780 rpm

Moment of inertia (J) : 0.0008 kgm<sup>2</sup>  
 Duty cycle : Cont.(S1)  
 Insulation class : F  
 Service factor : 1.15  
 Temperature rise : 80 K

Rev.	Changes Summary	Performed	Checked	Date
Performed by			Page	Revision
Checked by				
Date				

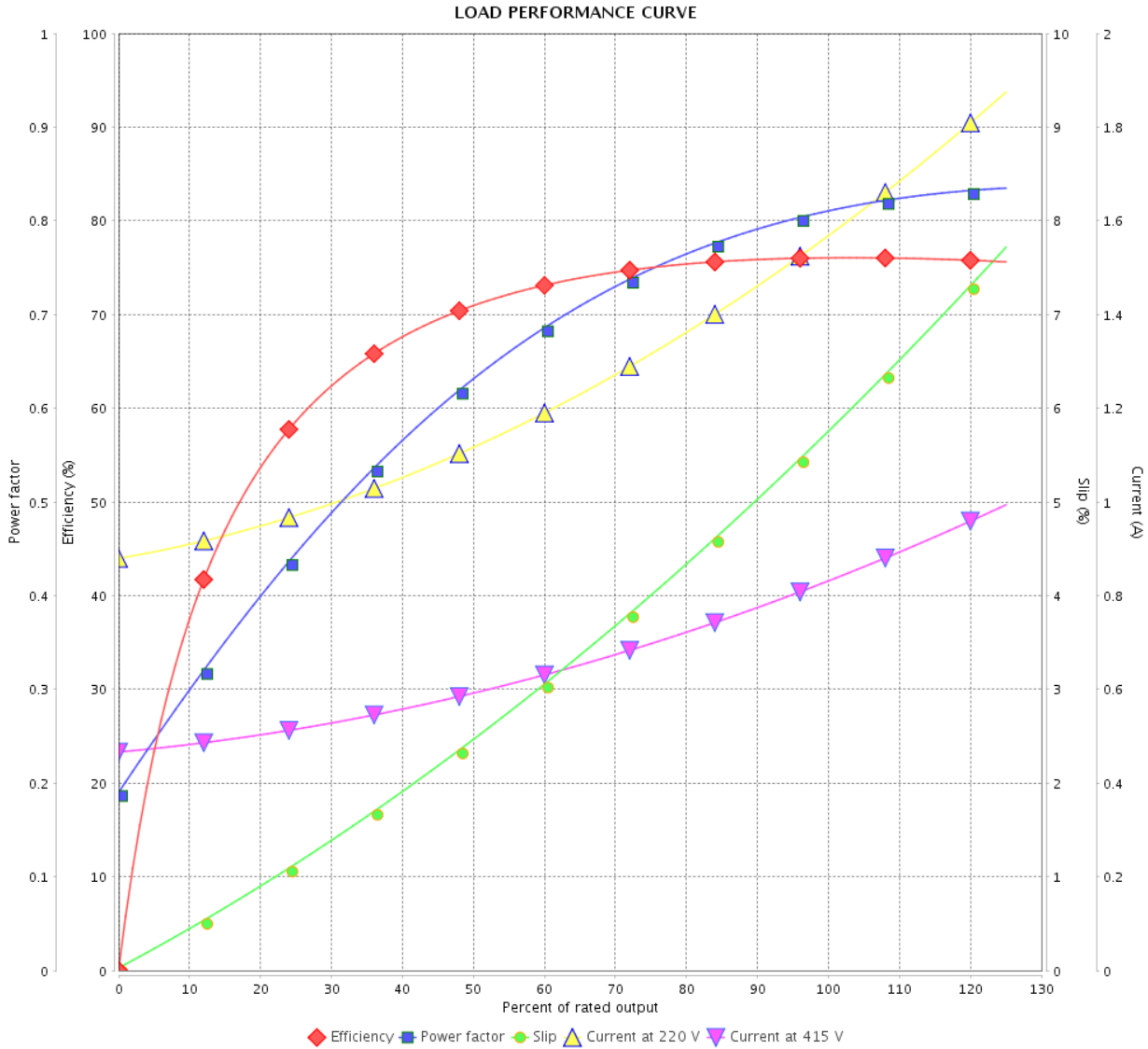
# LOAD PERFORMANCE CURVE

Three Phase Induction Motor - Squirrel Cage



Customer :

Product line : Jet Pump - J type Three-Phase Product code : 13721750



Performance : 220/415 V 50 Hz 2P

Rated current : 1.58/0.836 A  
 LRC : 6.8  
 Rated torque : 0.128 kgfm  
 Locked rotor torque : 300 %  
 Breakdown torque : 310 %  
 Rated speed : 2825 rpm

Moment of inertia (J) : 0.0008 kgm<sup>2</sup>  
 Duty cycle : Cont.(S1)  
 Insulation class : F  
 Service factor : 1.15  
 Temperature rise : 80 K

Rev.	Changes Summary	Performed	Checked	Date
Performed by			Page 4 / 4	Revision
Checked by				
Date	16/05/2022			

1 2 3 4 5 6

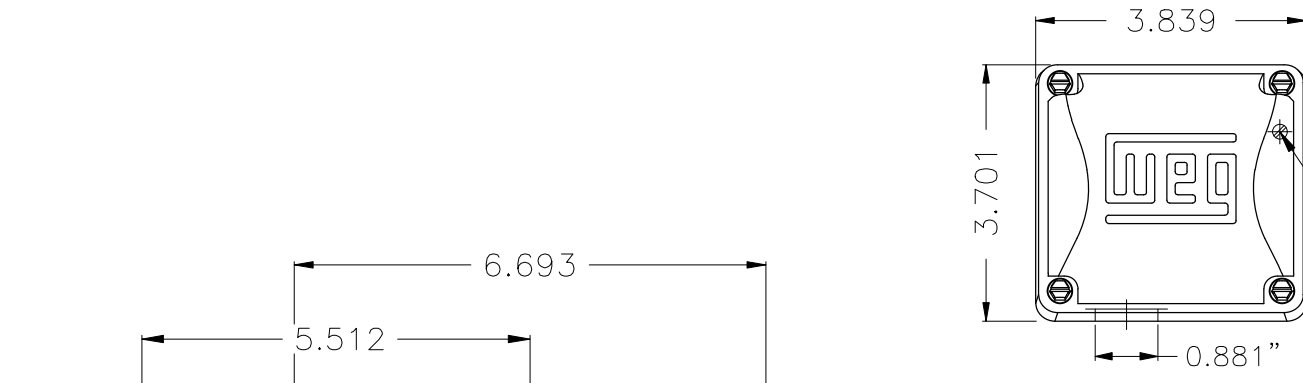
A

B

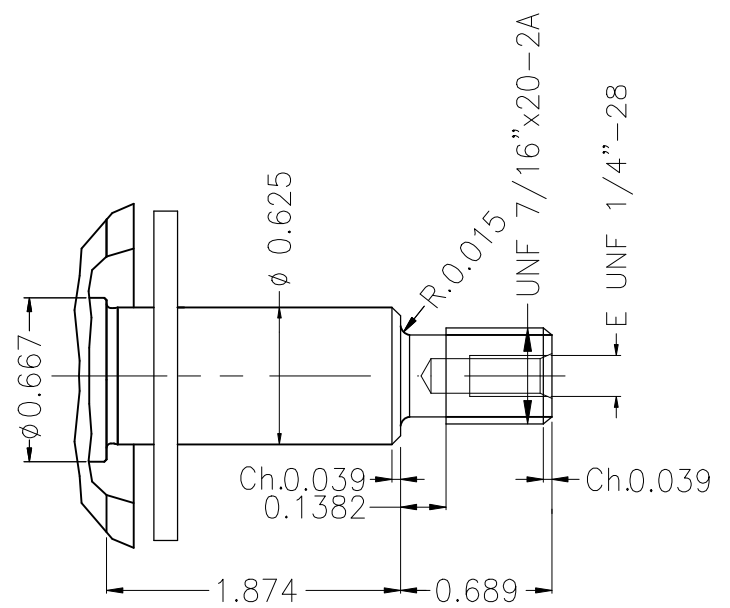
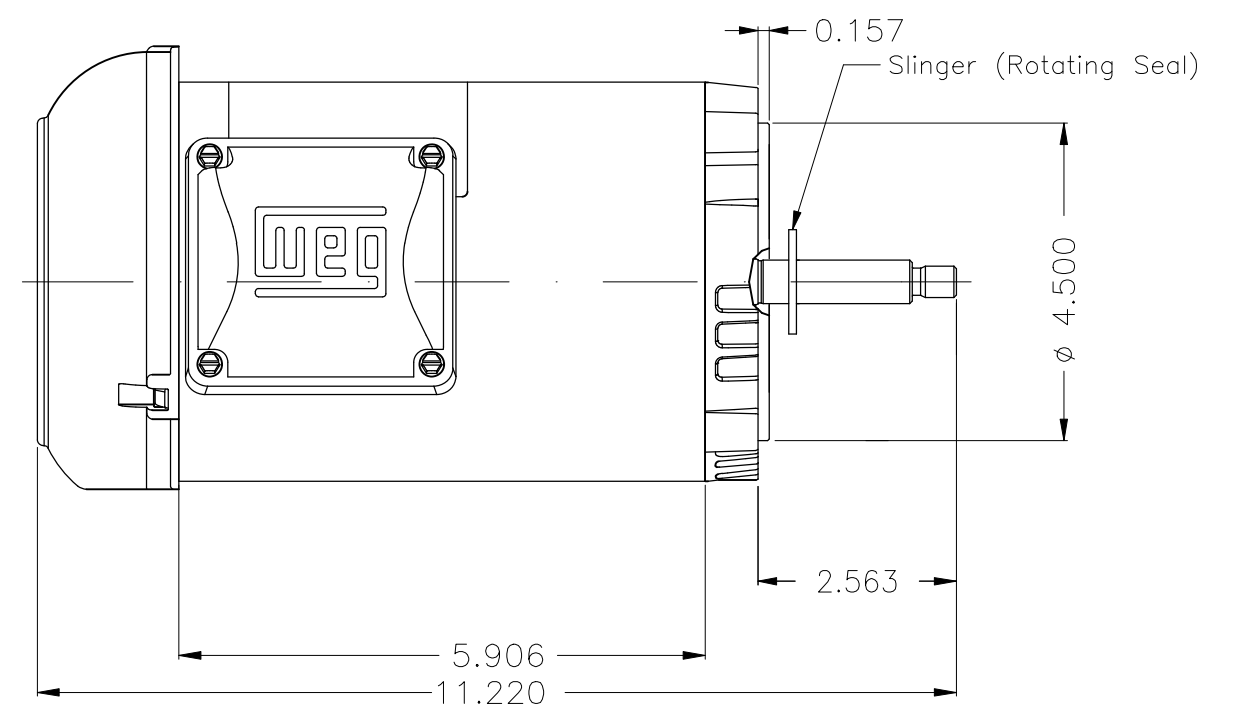
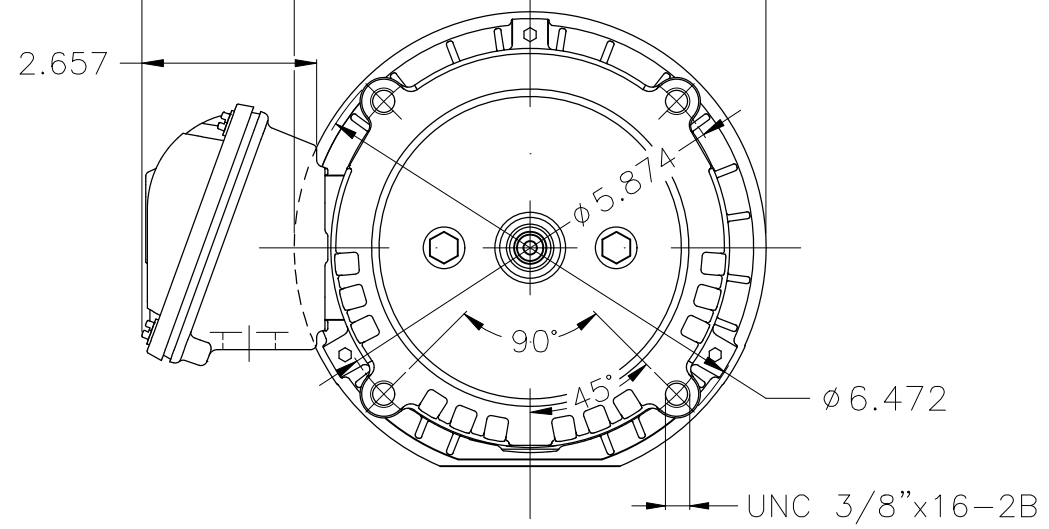
C

D

E



Grounding

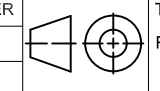


NDE sealing - V ring  
 Color Munsell N 1 matte black  
 Painting plan 207N  
 Mounting W-6/V18R(D)

ECM	LOC	SUMMARY OF MODIFICATIONS	EXECUTED	CHECKED	RELEASED	DATE	VER
EXECUTED	HYBRISUSER	THREE PH. MOTOR ROLLED STEEL JET PUMP THREADED PREL. SET					00
CHECKED		FRAME W56J IP55 TEFC					
RELEASED							
REL. DATE	WMO	Jaragua do Sul	Product Engineering	WDD	00		

0.5 HP 02 Poles 60 Hz

A



PREVIEW

