

DATA SHEET



Single Phase Induction Motor - Squirrel Cage

Customer :					
Product line		: Centrifugal Pump Single-Phase Start Capacitor		Product code : 10749051	
Frame	: B56J		Locked rotor time	: 10s (cold) 6s (hot)	
Output	: 0.5 HP (0.37 kW)		Temperature rise	: 80 K	
Poles	: 2		Duty cycle	: Cont.(S1)	
Frequency	: 60 Hz		Ambient temperature	: -20°C to +40°C	
Rated voltage	: 115/208-230 V		Altitude	: 1000 m.a.s.l.	
Rated current	: 7.60/3.80-3.80 A		Protection degree	: IP55	
L. R. Amperes	: 42.6/21.3-21.3 A		Cooling method	: IC411 - TEFC	
LRC	: 5.6x(Code L)		Mounting	: F-1	
No load current	: 5.60/2.41-2.80 A		Rotation ¹	: CCW	
Rated speed	: 3480 rpm		Noise level ²	: 55.0 dB(A)	
Slip	: 3.33 %		Starting method	: Direct On Line	
Rated torque	: 0.104 kgfm		Approx. weight ³	: 11.2 kg	
Locked rotor torque	: 320 %				
Breakdown torque	: 280 %				
Insulation class	: B				
Service factor	: 1.15				
Moment of inertia (J)	: 0.0013 kgm ²				
Output	50%	75%	100%	Foundation loads	
Efficiency (%)	45.0	52.0	58.0	Max. traction : 3 kgf	
Power Factor	0.56	0.66	0.73	Max. compression : 15 kgf	
		<u>Drive end</u>		<u>Non drive end</u>	
Bearing type	:	6203 2RS		6202 2RS	
Sealing	:	V'Ring		V'Ring	
Lubrication interval	:	-		-	
Lubricant amount	:	-		-	
Lubricant type	:	Mobil Polyrex EM			
Notes					
<p>This revision replaces and cancel the previous one, which must be eliminated.</p> <p>(1) Looking the motor from the shaft end.</p> <p>(2) Measured at 1m and with tolerance of +3dB(A).</p> <p>(3) Approximate weight subject to changes after manufacturing process.</p> <p>(4) At 100% of full load.</p>			<p>These are average values based on tests with sinusoidal power supply, subject to the tolerances stipulated in NEMA MG-1.</p>		
Rev.	Changes Summary		Performed	Checked	Date
Performed by					
Checked by				Page	Revision
Date	24/10/2024			1 / 2	

LOAD PERFORMANCE CURVE

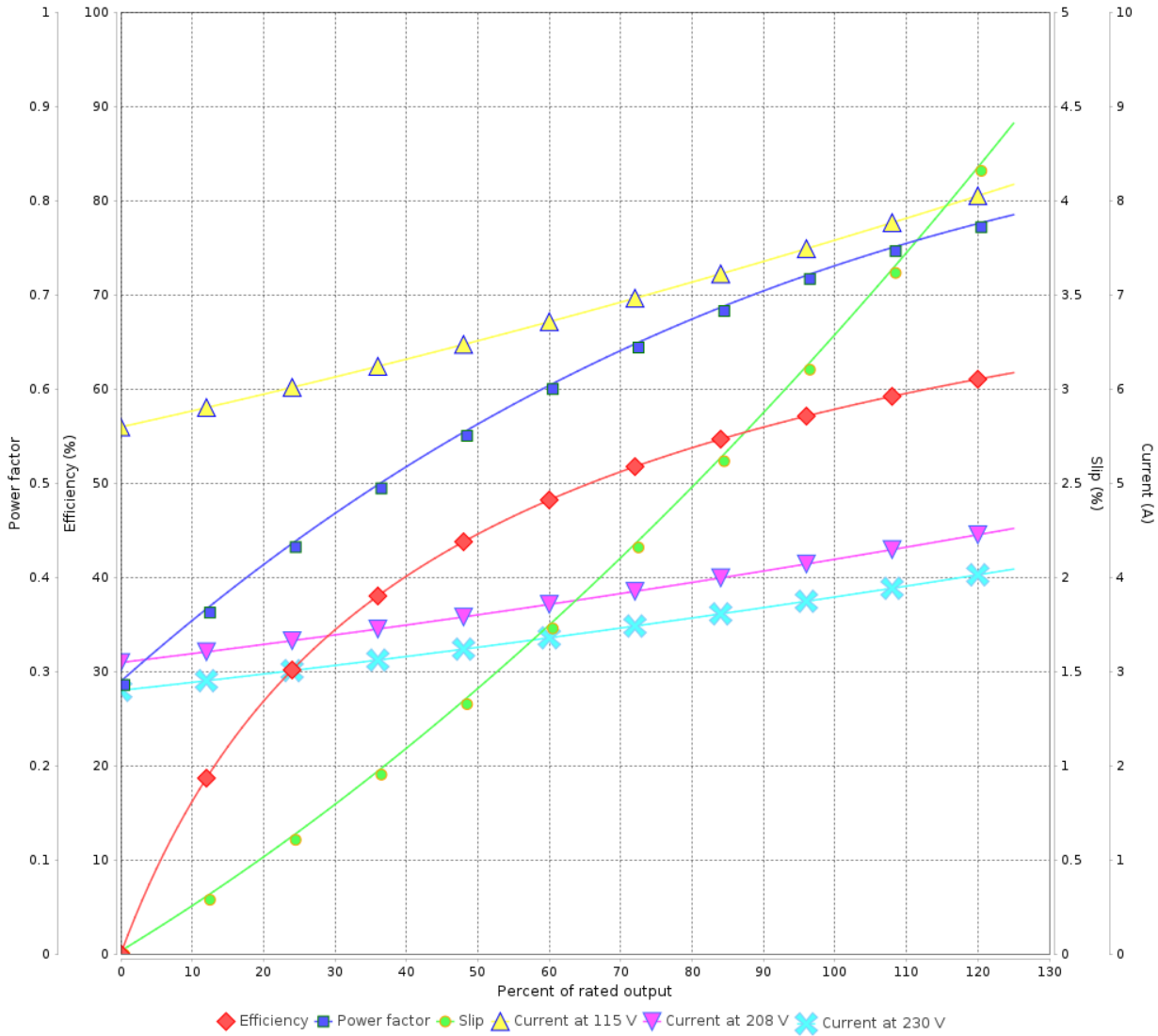
Single Phase Induction Motor - Squirrel Cage



Customer :

Product line : Centrifugal Pump Single-Phase Start Capacitor Product code : 10749051

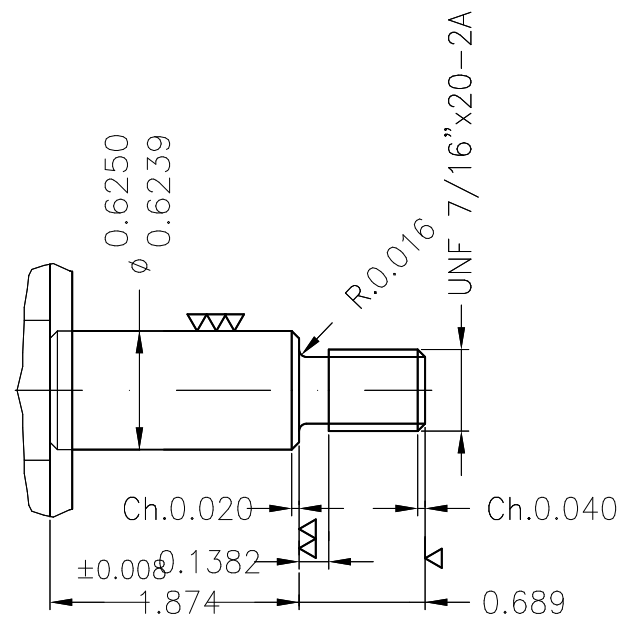
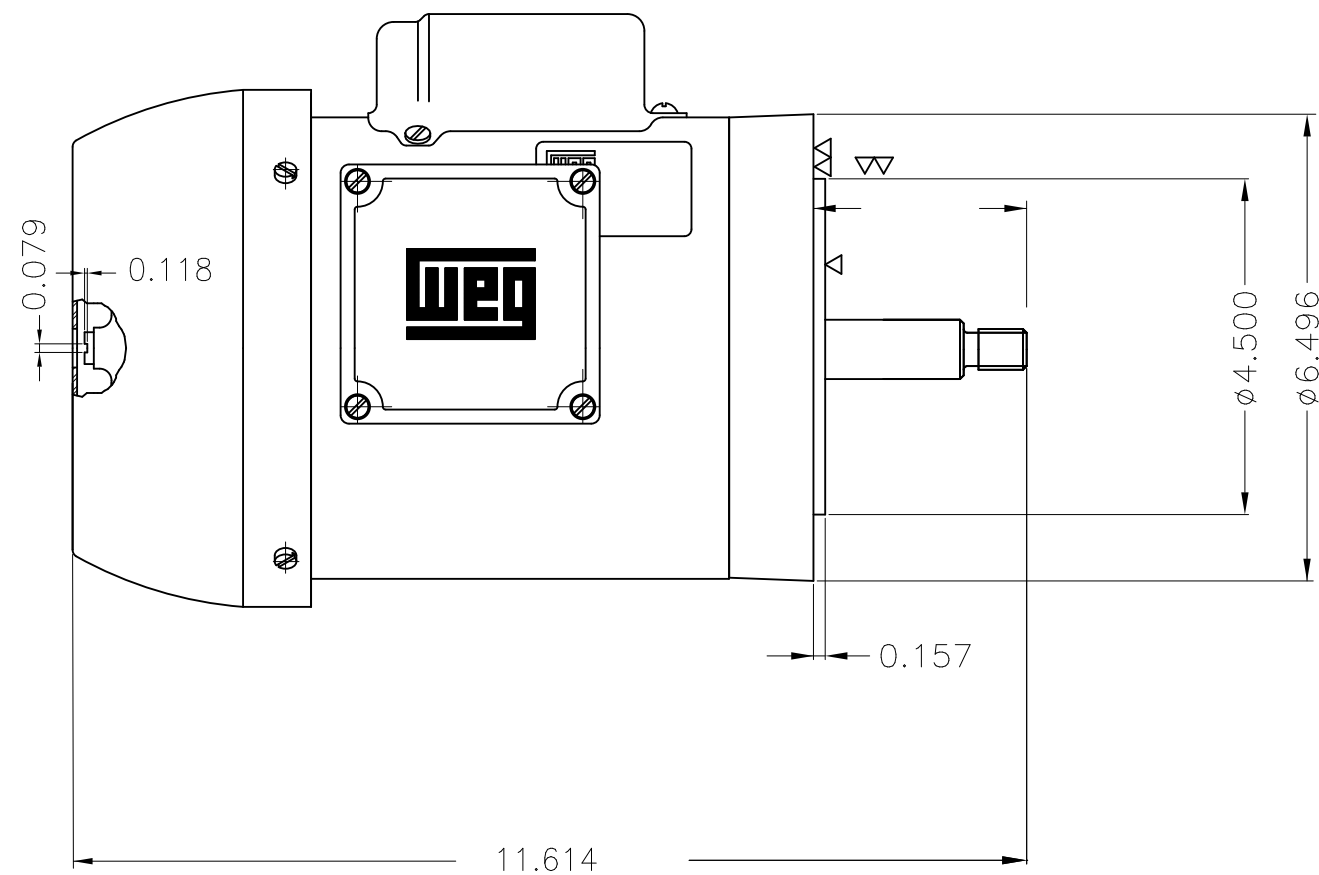
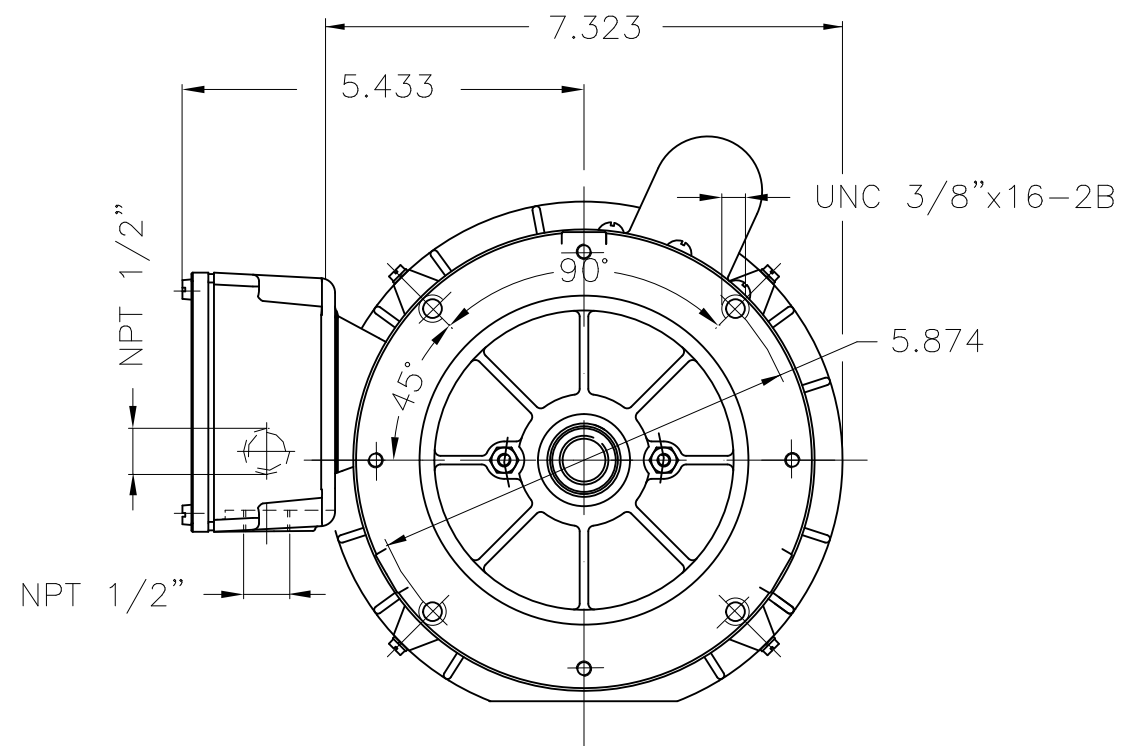
LOAD PERFORMANCE CURVE

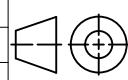



Performance : 115/208-230 V 60 Hz 2P

Rated current	: 7.60/3.80-3.80 A	Moment of inertia (J)	: 0.0013 kgm ²
LRC	: 5.6	Duty cycle	: Cont.(S1)
Rated torque	: 0.104 kgfm	Insulation class	: B
Locked rotor torque	: 320 %	Service factor	:
Breakdown torque	: 280 %	Temperature rise	: 80 K
Rated speed	: 3480 rpm		

Rev.	Changes Summary	Performed	Checked	Date
Performed by			Page 2 / 2	Revision
Checked by				
Date	24/10/2024			



Mounting B14R(D)						
ECM	LOC	SUMMARY OF MODIFICATIONS	EXECUTED	CHECKED	RELEASED	DATE
EXECUTED	HYBRISUSER	 SINGLE PH. MOTOR CENTRIFUGAL PUMP FRAME B56J IP55 TEFC				
CHECKED						
RELEASED						
REL. DATE	WMO	Jaragua do Sul	Product Engineering	PREVIEW WDD 00 SHEET 1 / 1		

1/2 HP 02 Poles 60 Hz