

DATA SHEET

Three Phase Induction Motor - Squirrel Cage



Customer :				
Product line	: Jet Pump - J type Three-Phase	Product code :	13721666	
Frame	: W56J	Cooling method	: IC411 - TEFC	
Insulation class	: F	Mounting	: W-6	
Duty cycle	: Cont.(S1)	Rotation ¹	: CCW	
Ambient temperature	: -20°C to +40°C	Starting method	: Direct On Line	
Altitude	: 1000 m.a.s.l.	Approx. weight ²	: 6.8 kg	
Protection degree	: IP55	Moment of inertia (J)	: 0.0006 kgm ²	
Output [HP]	0.33	0.33	0.33	
Poles	2	2	2	
Frequency [Hz]	60	50	50	
Rated voltage [V]	208-230/460	190/380	220/415	
Rated current [A]	1.30-1.15/0.573	1.29/0.646	1.18/0.624	
L. R. Amperes [A]	9.27-8.14/4.07	7.24/3.62	7.42/3.93	
LRC [A]	7.1x(Code L)	5.6x(Code J)	6.3x(Code K)	
No load current [A]	0.610-0.708/0.354	0.692/0.346	0.751/0.398	
Rated speed [RPM]	3450	2800	2830	
Slip [%]	4.17	6.67	5.67	
Rated torque [kgfm]	0.069	0.086	0.085	
Locked rotor torque [%]	320	240	290	
Breakdown torque [%]	370	260	310	
Service factor		1.15	1.15	
Temperature rise	80 K	80 K	80 K	
Locked rotor time	50s (cold) 28s (hot)	50s (cold) 28s (hot)	43s (cold) 24s (hot)	
Noise level ²	65.0 dB(A)	64.0 dB(A)	64.0 dB(A)	
Efficiency (%)	25%			
	50%	59.5	65.8	
	75%	66.0	70.6	
	100%	72.0	71.7	
Power Factor	25%			
	50%	0.61	0.66	
	75%	0.71	0.77	
	100%	0.76	0.82	
Bearing type	: <u>Drive end</u> 6203 2RS <u>Non drive end</u> 6202 2RS	Foundation loads		
Sealing	: V'Ring V'Ring	Max. traction	: 5 kgf	
Lubrication interval	: - -	Max. compression	: 11 kgf	
Lubricant amount	: - -			
Lubricant type	: Mobil Polyrex EM			
Notes USABLE @208V SF 1.00				
This revision replaces and cancel the previous one, which must be eliminated. (1) Looking the motor from the shaft end. (2) Measured at 1m and with tolerance of +3dB(A). (3) Approximate weight subject to changes after manufacturing process. (4) At 100% of full load.		These are average values based on tests with sinusoidal power supply, subject to the tolerances stipulated in NEMA MG-1.		
Rev.	Changes Summary	Performed	Checked	Date
Performed by				
Checked by			Page	Revision
Date	16/05/2022		1 / 4	

LOAD PERFORMANCE CURVE

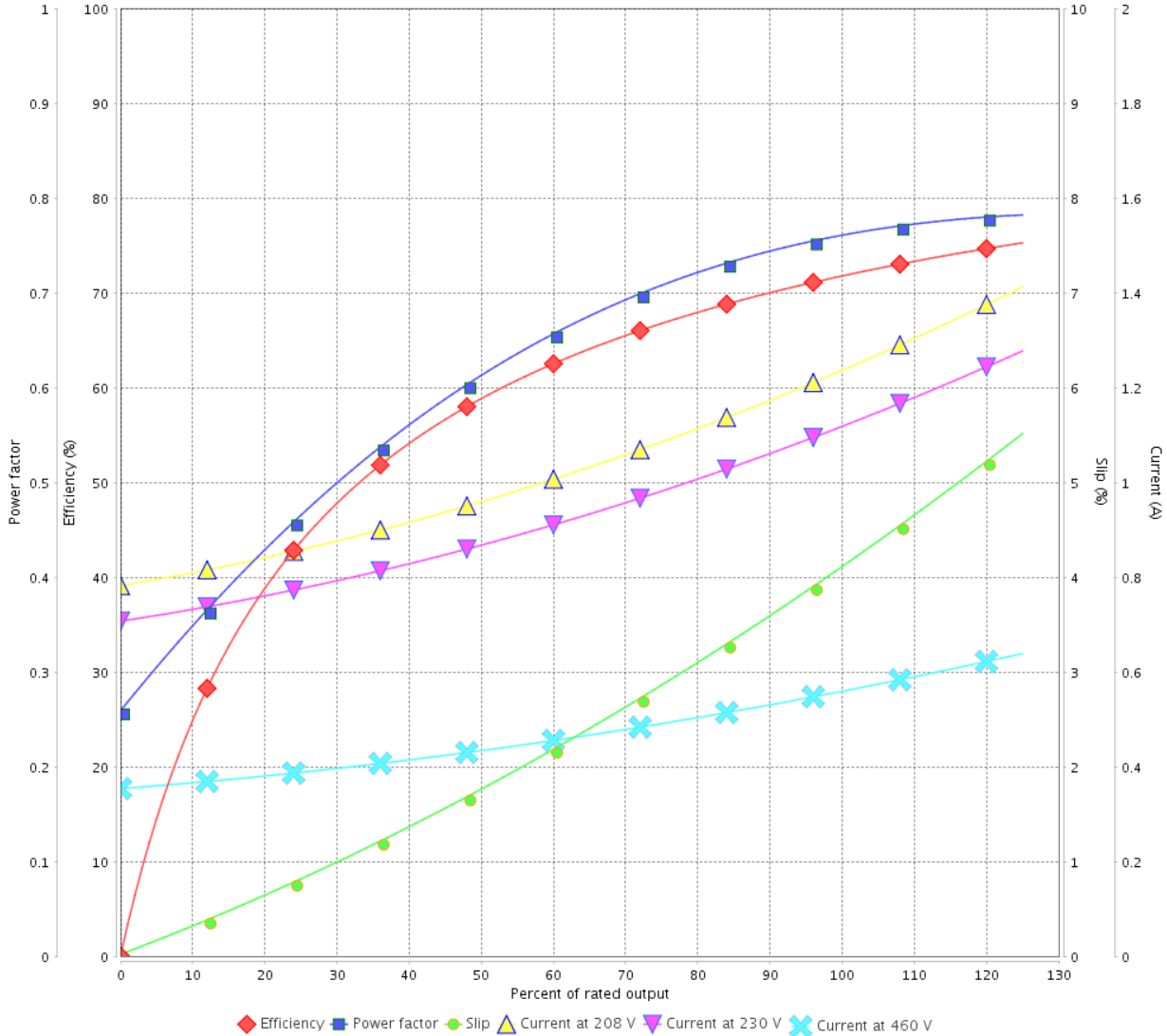
Three Phase Induction Motor - Squirrel Cage



Customer :

Product line : Jet Pump - J type Three-Phase Product code : 13721666

LOAD PERFORMANCE CURVE



Performance : 208-230/460 V 60 Hz 2P

Rated current : 1.30-1.15/0.573 A
 LRC : 7.1
 Rated torque : 0.069 kgfm
 Locked rotor torque : 320 %
 Breakdown torque : 370 %
 Rated speed : 3450 rpm

Moment of inertia (J) : 0.0006 kgm²
 Duty cycle : Cont.(S1)
 Insulation class : F
 Service factor :
 Temperature rise : 80 K

Rev.	Changes Summary	Performed	Checked	Date
Performed by			Page	Revision
Checked by				
Date				

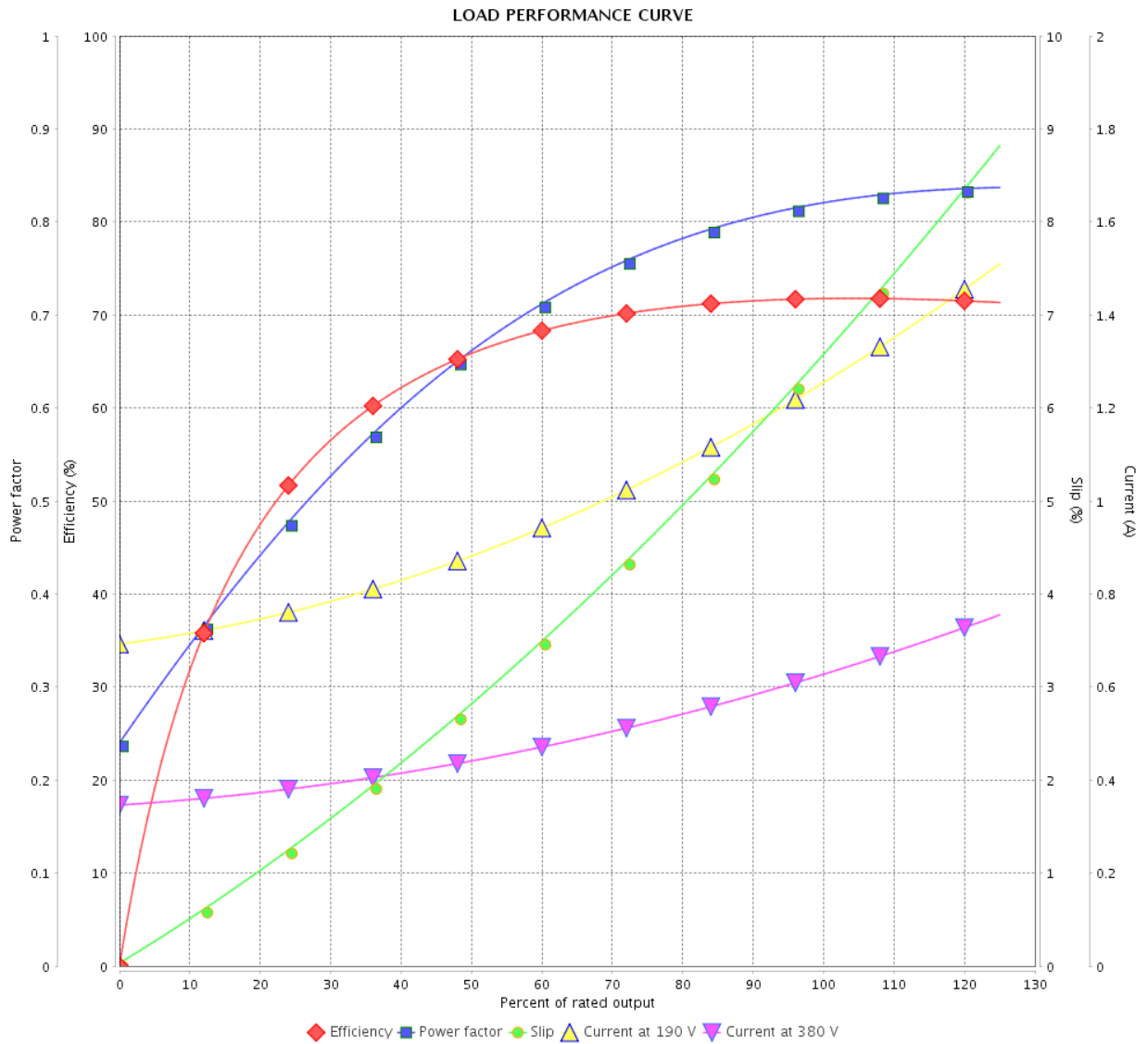
LOAD PERFORMANCE CURVE

Three Phase Induction Motor - Squirrel Cage



Customer : _____

Product line : Jet Pump - J type Three-Phase Product code : 13721666



Performance : 190/380 V 50 Hz 2P

Rated current : 1.29/0.646 A
 LRC : 5.6
 Rated torque : 0.086 kgfm
 Locked rotor torque : 240 %
 Breakdown torque : 260 %
 Rated speed : 2800 rpm

Moment of inertia (J) : 0.0006 kgm²
 Duty cycle : Cont.(S1)
 Insulation class : F
 Service factor : 1.15
 Temperature rise : 80 K

Rev.	Changes Summary	Performed	Checked	Date
Performed by			Page	Revision
Checked by				
Date				

LOAD PERFORMANCE CURVE

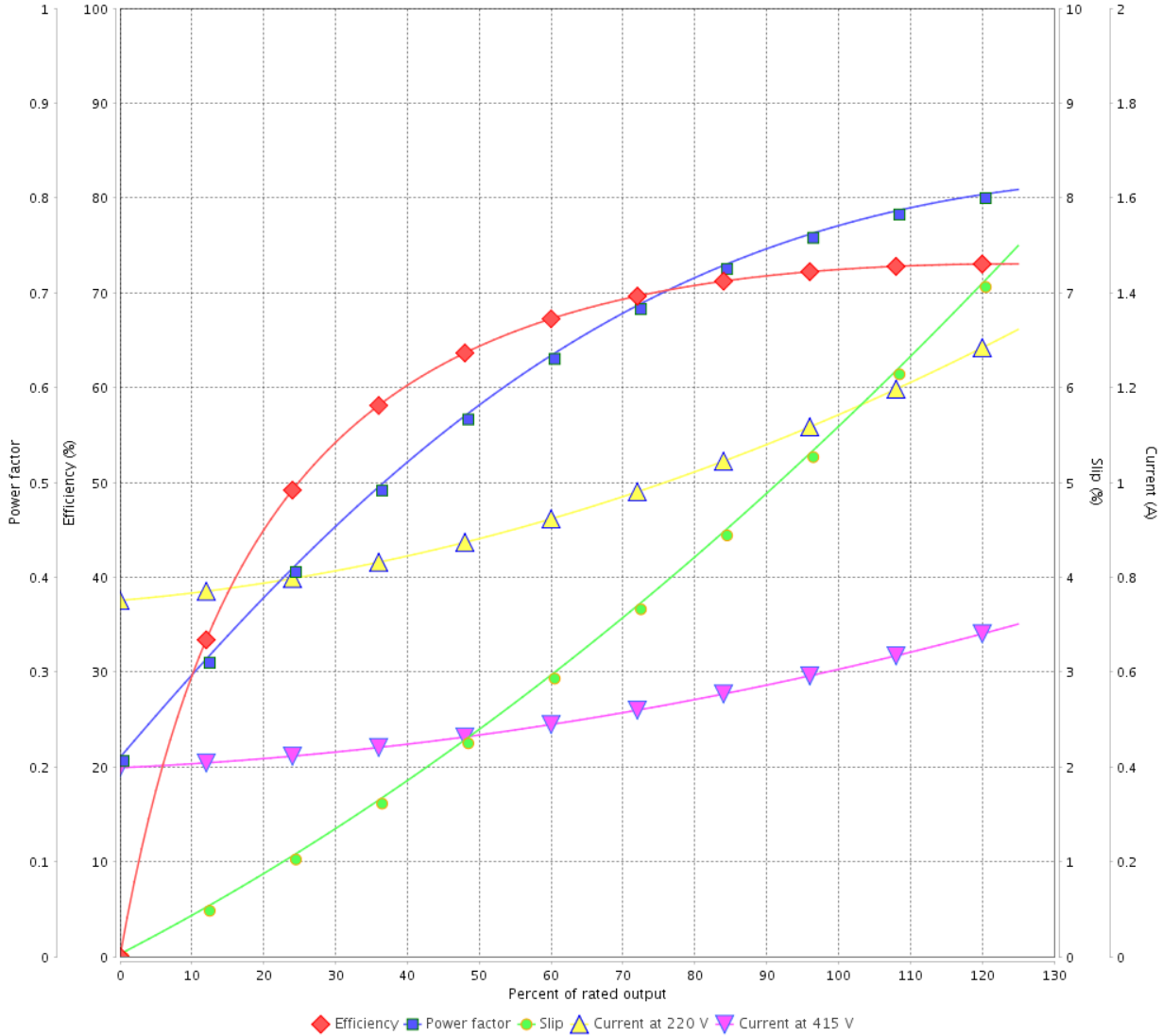
Three Phase Induction Motor - Squirrel Cage



Customer :

Product line : Jet Pump - J type Three-Phase Product code : 13721666

LOAD PERFORMANCE CURVE



Performance : 220/415 V 50 Hz 2P

Rated current : 1.18/0.624 A
 LRC : 6.3
 Rated torque : 0.085 kgfm
 Locked rotor torque : 290 %
 Breakdown torque : 310 %
 Rated speed : 2830 rpm

Moment of inertia (J) : 0.0006 kgm²
 Duty cycle : Cont.(S1)
 Insulation class : F
 Service factor : 1.15
 Temperature rise : 80 K

Rev.	Changes Summary	Performed	Checked	Date
Performed by			Page 4 / 4	Revision
Checked by				
Date	16/05/2022			

1 2 3 4 5 6

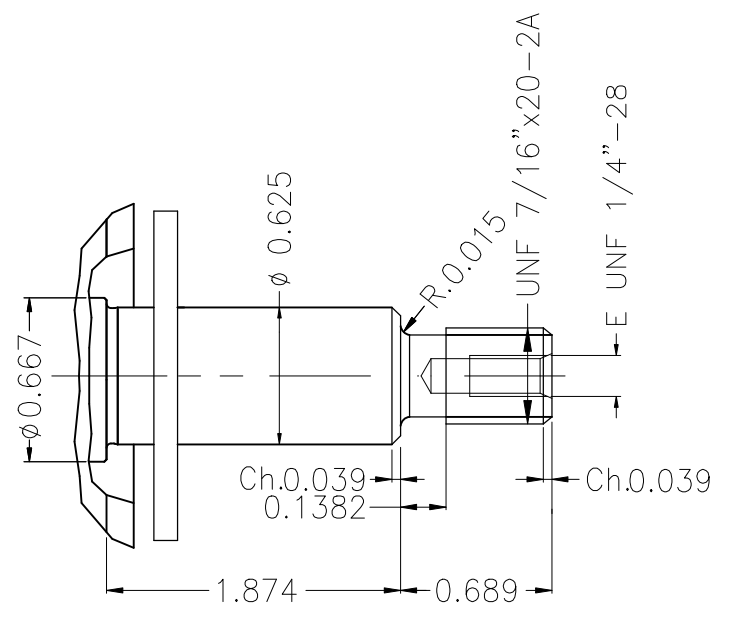
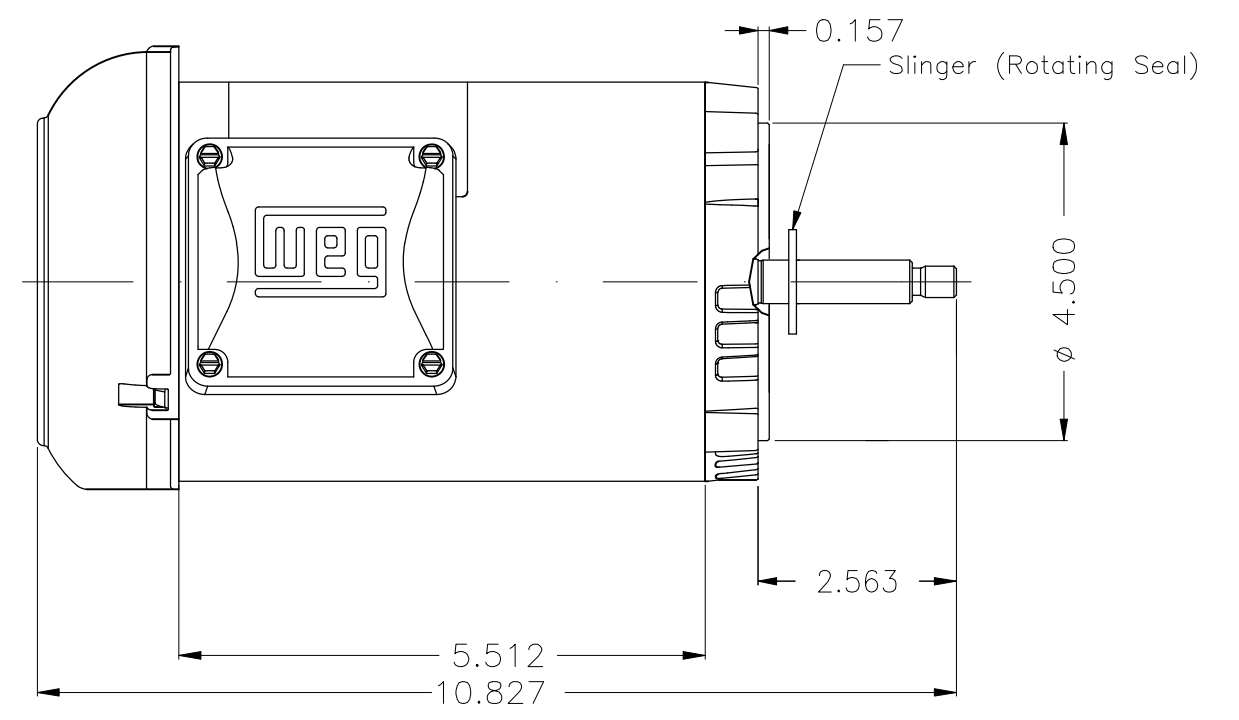
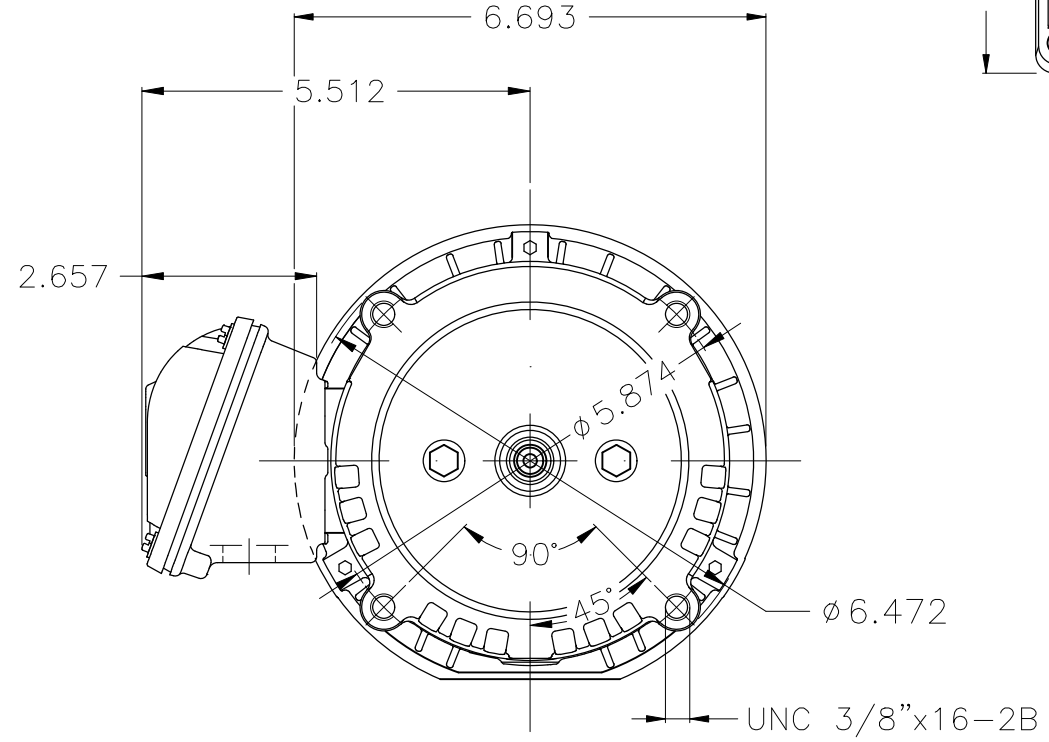
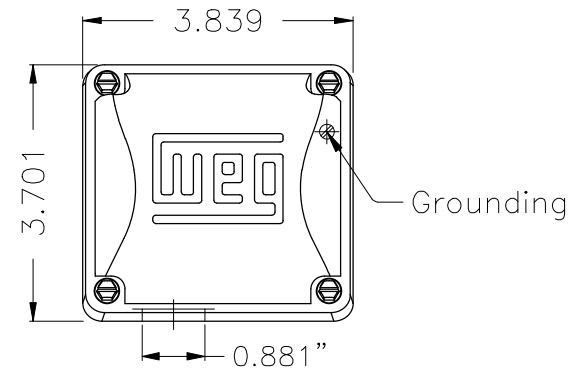
A

B

C

D

E



NDE sealing - V ring						
Color Munsell N 1 matte black						
Painting plan 207N						
Mounting W-6/V18R(D)						
			HYBRISUSER			00
ECM	LOC	SUMMARY OF MODIFICATIONS		EXECUTED	CHECKED	RELEASED DATE VER
EXECUTED	HYBRISUSER	THREE PH. MOTOR ROLLED STEEL JET PUMP THREADED FRAME W56J IP55 TEFC				
CHECKED						
RELEASED						
REL. DATE	WMO	Jaragua do Sul	Product Engineering	PREVIEW	WDD	00
				SHEET	1 / 1	

0.33 HP 02 Poles 60 Hz

A

