

DATA SHEET



Three Phase Induction Motor - Squirrel Cage

Customer :						
Product line		: Close Coupled Pump NEMA Premium Efficiency Three-Phase		Product code : 12032446		
Frame	: 284JP	Locked rotor time	: 18s (cold) 10s (hot)			
Output	: 30 HP (22 kW)	Temperature rise	: 80 K			
Poles	: 2	Duty cycle	: Cont.(S1)			
Frequency	: 60 Hz	Ambient temperature	: -20°C to +40°C			
Rated voltage	: 575 V	Altitude	: 1000 m.a.s.l.			
Rated current	: 28.0 A	Protection degree	: IP23			
L. R. Amperes	: 176 A	Cooling method	: IC01 - ODP			
LRC	: 6.3x(Code G)	Mounting	: W-6			
No load current	: 10.3 A	Rotation ¹	: Both (CW and CCW)			
Rated speed	: 3550 rpm	Noise level ²	: 72.0 dB(A)			
Slip	: 1.39 %	Starting method	: Direct On Line			
Rated torque	: 6.13 kgfm	Approx. weight ³	: 144 kg			
Locked rotor torque	: 180 %					
Breakdown torque	: 260 %					
Insulation class	: F					
Service factor	: 1.15					
Moment of inertia (J)	: 0.0795 kgm ²					
Design	: B					
Output	50%	75%	100%	Foundation loads		
Efficiency (%)	90.2	91.7	91.7	Max. traction : 156 kgf		
Power Factor	0.73	0.82	0.86	Max. compression : 300 kgf		
		<u>Drive end</u>		<u>Non drive end</u>		
Bearing type	:	6311 Z C3		6211 Z C3		
Sealing	:	Without Bearing Seal		Without Bearing Seal		
Lubrication interval	:	11517 h		14226 h		
Lubricant amount	:	18 g		11 g		
Lubricant type	:	Mobil Polyrex EM				
Notes						
This revision replaces and cancel the previous one, which must be eliminated. (1) Looking the motor from the shaft end. (2) Measured at 1m and with tolerance of +3dB(A). (3) Approximate weight subject to changes after manufacturing process. (4) At 100% of full load.			These are average values based on tests with sinusoidal power supply, subject to the tolerances stipulated in NEMA MG-1.			
Rev.	Changes Summary			Performed	Checked	Date
Performed by						
Checked by					Page	Revision
Date	24/10/2024				1 / 2	

LOAD PERFORMANCE CURVE

Three Phase Induction Motor - Squirrel Cage

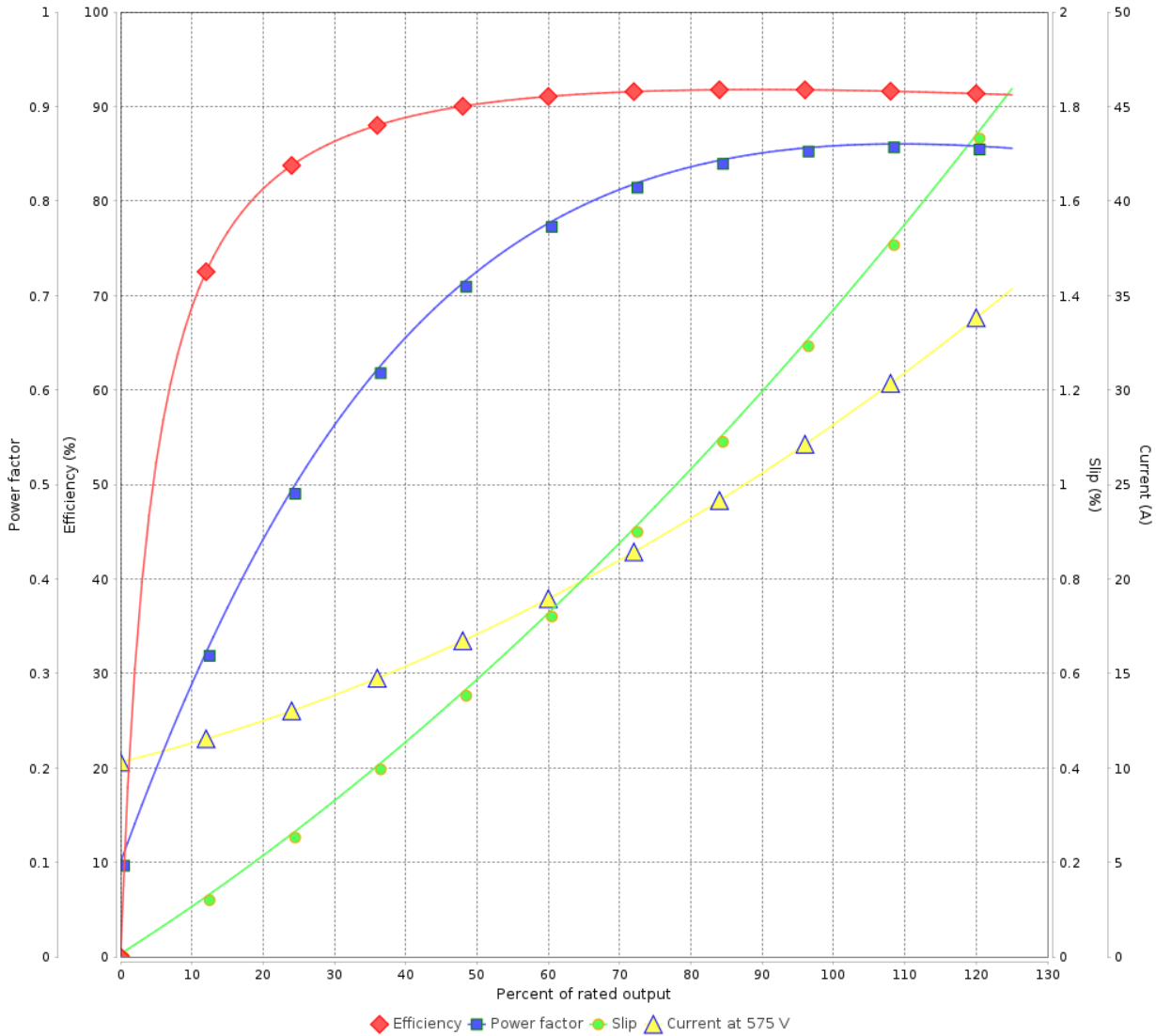


Customer :

Product line : Close Coupled Pump NEMA
Premium Efficiency Three-Phase

Product code : 12032446

LOAD PERFORMANCE CURVE

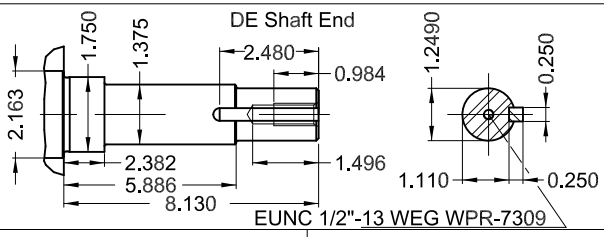
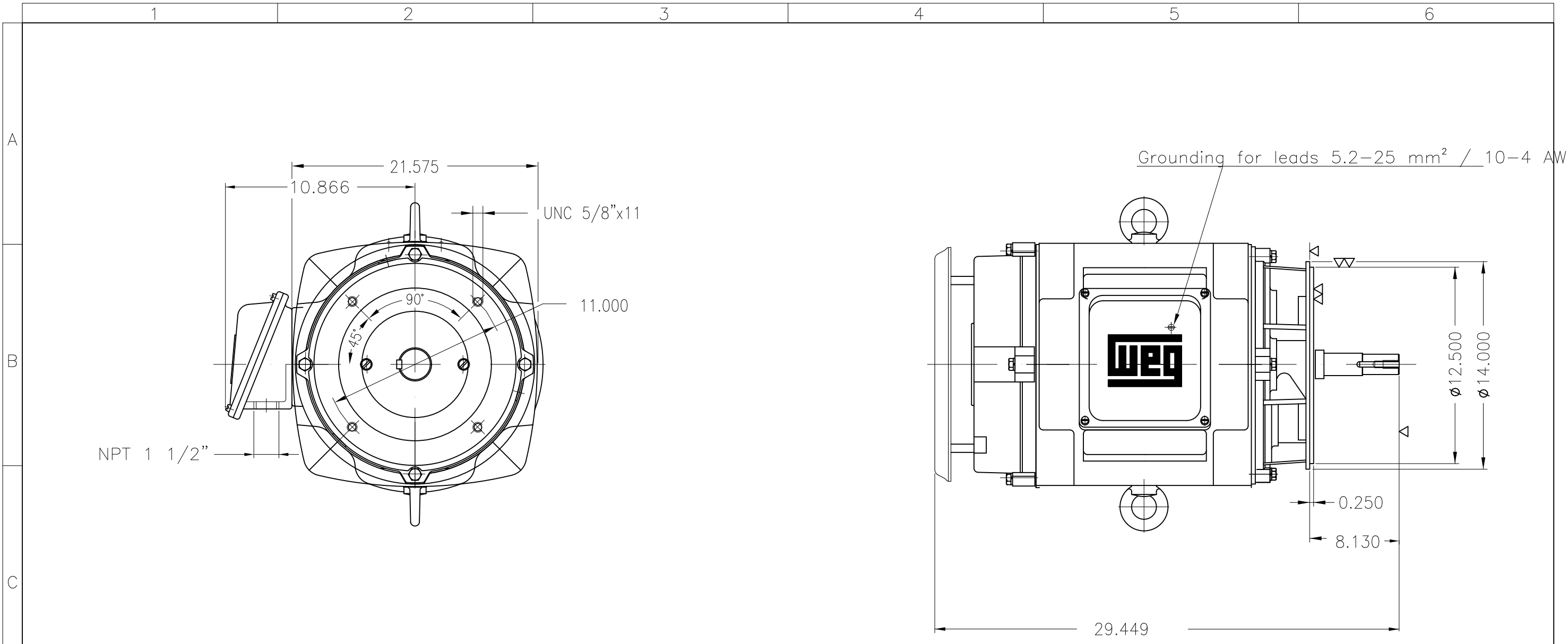


Performance : 575 V 60 Hz 2P

Rated current : 28.0 A
LRC : 6.3
Rated torque : 6.13 kgfm
Locked rotor torque : 180 %
Breakdown torque : 260 %
Rated speed : 3550 rpm

Moment of inertia (J) : 0.0795 kgm²
Duty cycle : Cont.(S1)
Insulation class : F
Service factor : 1.15
Temperature rise : 80 K
Design : B

Rev.	Changes Summary	Performed	Checked	Date
Performed by			Page	Revision
Checked by				
Date				



Color RAL 5009
 Painting plan 203A
 Mounting V18

30 HP 02 Poles 60 Hz										A	
HYBRISUSER										00	
ECM	LOC	SUMMARY OF MODIFICATIONS					EXECUTED	CHECKED	RELEASED	DATE	VER
EXECUTED	HYBRISUSER	THREE PH. MOTOR JM/JP/JET PUMP NEMA PREM. EFF.					EXECUTED	CHECKED	RELEASED	DATE	VER
CHECKED		FRAME 284JP IP23 ODP					EXECUTED	CHECKED	RELEASED	DATE	VER
RELEASED							EXECUTED	CHECKED	RELEASED	DATE	VER
REL. DATE		WMO	Jaragua do Sul	Product Engineering	SHEET		1 / 1				

PREVIEW
 WDD | 00